



Chipsmall Limited consists of a professional team with an average of over 10 year of expertise in the distribution of electronic components. Based in Hongkong, we have already established firm and mutual-benefit business relationships with customers from,Europe,America and south Asia,supplying obsolete and hard-to-find components to meet their specific needs.

With the principle of “Quality Parts,Customers Priority,Honest Operation,and Considerate Service”,our business mainly focus on the distribution of electronic components. Line cards we deal with include Microchip,ALPS,ROHM,Xilinx,Pulse,ON,Everlight and Freescale. Main products comprise IC,Modules,Potentiometer,IC Socket,Relay,Connector.Our parts cover such applications as commercial,industrial, and automotives areas.

We are looking forward to setting up business relationship with you and hope to provide you with the best service and solution. Let us make a better world for our industry!



## Contact us

Tel: +86-755-8981 8866 Fax: +86-755-8427 6832

Email & Skype: info@chipsmall.com Web: www.chipsmall.com

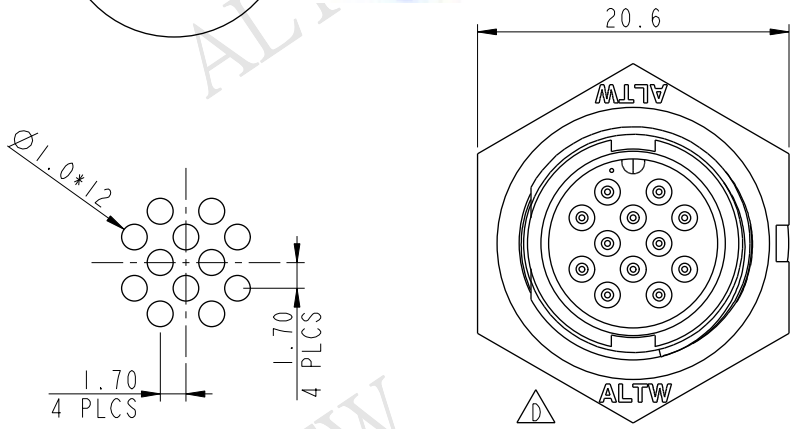
Address: A1208, Overseas Decoration Building, #122 Zhenhua RD., Futian, Shenzhen, China



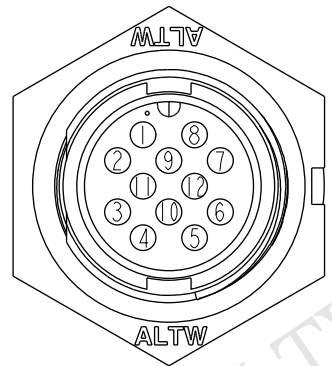
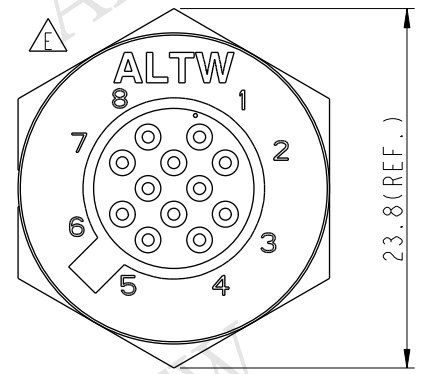
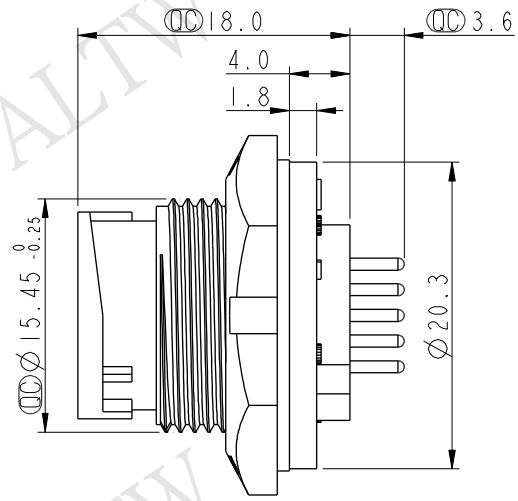
REV.	ECN NO.	DATE	SIGN	DESCRIPTION
C	LEN1130454	2011/03/25	Jiang Jun Hua	Modify Nut Color
D	LEN1470084	2014/07/03	Jason.Yu	Change Nut Logo
E	LEN1590304	2015/09/02	Vicky	Update Logo

ALTW  
CONFIDENTIAL  
2015-09-02  
R&D DEPT.

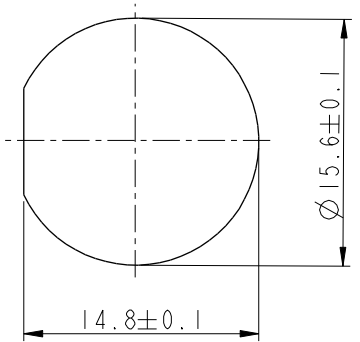
ALTW  
DCC. DEPT.  
CONFIDENTIAL  
2015.09.18  
ISSUED



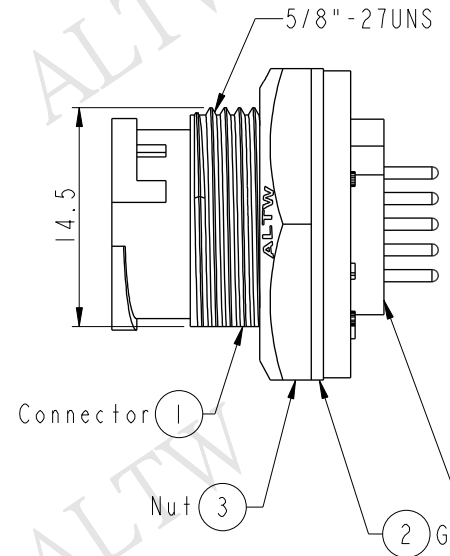
PCB Lay-out



Pin Assignments  
Front View



Recommended Panel Cut-out



Note:

- \*  $\varnothing$  Important Dimension To Check
- \* Waterproof Rate: IP67
- \* Housing: Nylon+GF, Black
- \* Male Pin: Copper Alloy, Gold Plated
- \* Nut: Nylon+GF, Black
- \* Gasket: EPDM, Black
- \* Use With Waterproof Cap Or Dust Cap  
Panel Thickness Max: 3.0mm
- \* Use Without Waterproof Cap Or Dust Cap  
Panel Thickness Max: 4.5mm

UNIT:mm	
TOLERANCE	
.X	±0.25
.XX	±0.1
.XXX	±0.05
ANGLES	±1°

TITLE Standard Panel Lock 12Pin M Conn. M Pin			
SCALE 2:1	SIZE A4	SHEET 1 OF 1	
REV. E	WC-REV. A.3	$\varnothing$ : Inspection item	

**Amphenol LTW**  
安費諾亮泰企業股份有限公司

ITEM NO BU-12PMMP-LC7001	DRAWN BY Vicky	DATE 2015-09-02
DWG NO BU-12PMMP-LC7001	CHECKED BY Rita	DATE 2015-09-02
CUSTOMER ALTW	APPROVED BY Lion	DATE 2015-09-02

THIS DOCUMENT IS SUBJECT TO CHANGE WITHOUT NOTICE. IT IS CONFIDENTIAL AND A PROPERTY OF AMPHENOL LTW. DISCLOSURE TO THIRD PARTY HAS TO BE AUTHORIZED BY AMPHENOL LTW.