



Chipsmall Limited consists of a professional team with an average of over 10 year of expertise in the distribution of electronic components. Based in Hongkong, we have already established firm and mutual-benefit business relationships with customers from,Europe,America and south Asia,supplying obsolete and hard-to-find components to meet their specific needs.

With the principle of “Quality Parts,Customers Priority,Honest Operation,and Considerate Service”,our business mainly focus on the distribution of electronic components. Line cards we deal with include Microchip,ALPS,ROHM,Xilinx,Pulse,ON,Everlight and Freescale. Main products comprise IC,Modules,Potentiometer,IC Socket,Relay,Connector.Our parts cover such applications as commercial,industrial, and automotives areas.

We are looking forward to setting up business relationship with you and hope to provide you with the best service and solution. Let us make a better world for our industry!



Contact us

Tel: +86-755-8981 8866 Fax: +86-755-8427 6832

Email & Skype: info@chipsmall.com Web: www.chipsmall.com

Address: A1208, Overseas Decoration Building, #122 Zhenhua RD., Futian, Shenzhen, China





A DESCO CORPORATION COMPANY, SINCE 2011

The Industry Source for High-Quality Electronic Products & Assemblies

Over 100 years in business, and quality is still #1. Mueller products are manufactured to our own, higher standards, creating products that are rugged, durable, and provide an excellent value.

MuellerElectric.com
T: 800-955-2629
T: 216-771-5225
F: 216-771-3068
sales@muellerelectric.com

OVER 300 VARIETIES STOCKED

- ALLIGATOR CLIPS
- CROCODILE CLIPS
- PLIER CLIPS
- SPECIALTY CLIPS

ACCESSORIES

- PLUGS
- JACKS
- CONNECTORS
- ADAPTERS
- PROBES
- PLUNGERS
- GRABBERS

STANDARD & CUSTOM

- TEST LEADS
- PATCH CORDS
- INSULATED TEST ACCESSORIES

OEM / REPLACEMENTS

- CUSTOM CABLE ASSEMBLIES
- METER PROBES
- METER ADAPTERS
- METER TEST LEADS
- CUSTOM ENGINEERED PRODUCTS

SERVICES

- MOLDING
- CONTRACT MANUFACTURING
- CUSTOM PACKAGING
- PRODUCT DESIGN





Standard Components & Custom Solutions

Test Leads



Mueller provides direct replacements and spares for virtually all general meter applications. Mueller test leads fit all of the major manufacturers, including: Fluke®, Amprobe®, Keithley®, Tektronix®, Simpson®, and HP®. Mueller's replacement test leads are guaranteed to be interchangeable and

compatible with your meter, backed by our customer satisfaction policy. To determine your OEM-to-Mueller crossover part number, go to www.MuellerElectric.com and use the search tool, or contact our Customer Service Department.

Test Accessories



Mueller carries a large, quick-ship inventory of parts and standard assemblies to mix-and-match for your needs. Popular items include banana plugs, plungers, probes, grabbers, jacks, adapters, connectors, binding posts and

many more. Insulated and non-insulated versions are offered. Most items ship directly from inventory within 24 hours of order receipt. If your item is non-standard, please contact us to discuss your custom needs. If we aren't able to supply an item, we'll help you locate a source elsewhere. As with all Mueller products, these parts are rugged, durable, reliable, and designed for daily use.

Mueller Advantage: UL® Listings



Mueller is the only major test & measurement manufacturer to offer a full line of both UL® listed and CE approved test & measurement products. Our test leads, banana jacks, probes, plungers and alligator clips are tested for safety and compliance to UL® standards. If you have an application in which electrical safety is of high concern, choose Mueller.

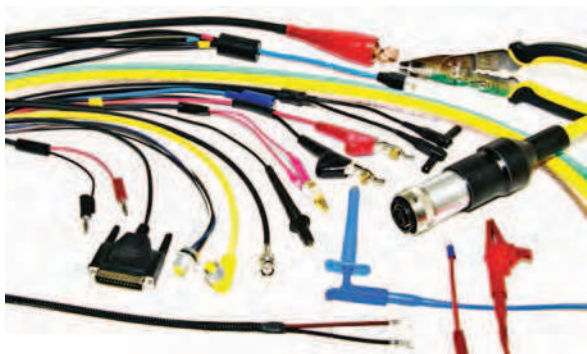
Packaged Products & Kits



Are you in need of special packaging or logistical assistance? Mueller offers a variety of turnkey packaging solutions and product strategies to help simplify your business. Both standard and custom package designs are available. Mueller's services can be as comprehensive or cost-effective as you choose. We offer full pack-

age design, including printing and converting...or as simple as a corrugated box with a text and barcode label. Other service options include product kitting, poly bagging & heat seal, custom printed hanger cards with blister pack, retail packaging, point of sale displays, private labeling, and drop-shipping under your company's name. Please contact us to discuss your packaging and logistical needs.

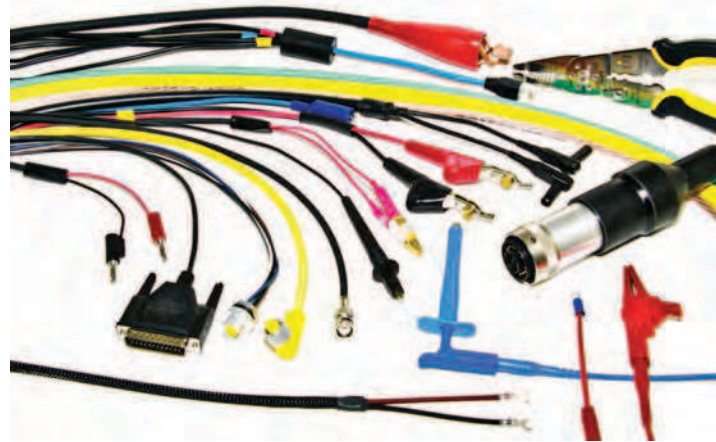
Custom Cable Assemblies



Mueller specializes in cable assemblies that are built to exact customer specifications. Short- and medium-production run quantities are welcome. These assemblies may incorporate standard or non-standard components, and can be built to designated industry standards such as UL® and CSA. In-house engineering, molding, and production capabilities keep your project in plain view. Typical applications are for the industrial automation, test & measurement, medical, aerospace, defense, telecom and automotive markets. Please contact our Sales Department to discuss your custom assembly needs. Ask about our sample assembly and prototype program.

Custom Cable Assemblies

Mueller specializes in cable assemblies that are built to exact customer specifications. Short- and medium-production run quantities are welcome. These assemblies may incorporate standard or non-standard components, and can be built to designated industry standards such as UL© and CSA. In-house engineering, molding, and production capabilities keep your project in plain view. Typical applications are for the industrial automation, test & measurement, medical, aerospace, defense, telecom and automotive markets. Please contact our Sales Department to discuss your custom assembly needs. Ask about our sample assembly and prototype program.



BNC / Coaxial Applications



BU-P2249-C-**
(Various Lengths Available)
BNC Male on Both Ends



BU-5114-A-4-0
BNC Male Breakout to
Mini-Micro-Grabbers



BU-5330-F-**-0
(*Various Lengths Available)
Insulated Alligator Clips to
Male BNC with RG174



BU-5070-B-**-0
(Various Lengths Available)
Male BNC to Stackable
Double Banana Plug

- Grounding and Bonding Cables
- OEM Custom Connector Applications
- Automotive, Transportation
- Medical
- Test and Measurement
- Overmolding, Potting, Encapsulation
- Industrial Automation
- Military
- Telecom, Data Communications
- RF Applications

Custom Cables from Various Industries and Applications





CLIPS & INSULATORS

Mueller clips are the industry standard. Our design reflects 100+ years of innovation and improvement. Mueller clips assure teeth that bite, springs that hold, plating that lasts and insulators that protect.

CLIPS & INSULATORS

Model # BU-30/BU-30C/BU-30X

Miniature Alligator

Solder or crimp connection.

Jaw opens 0.188" (4.8 mm) max

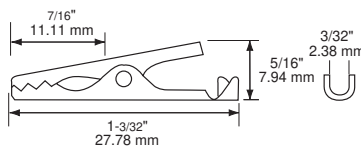
Material: nickel-plated steel (BU-30) or solid copper (BU-30C) or 304SS (BU-30X)

Length: 1.1" (27.78mm)

Federal Spec: CID AA59466-001 (BU-30C)

Rating: 5 Amps

Uses insulator BU-32-*



Model # BU-30TBO

Miniature Alligator with Threaded Barrel

6-32 threaded steel barrel connection

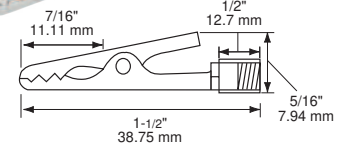
Jaw opens 0.188" (4.8 mm) max

Material: nickel-plated steel

Length: 1.5" (38.75mm)

Rating: 5 Amps

Uses insulator BU-31-*



Model # BU-32-*

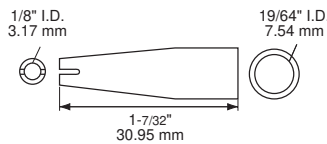
Insulator for Miniature Alligator

Protective flexible vinyl insulator for 30, 30C, 30X

Material: PVC

Length: 1.63" (41.28mm)

- *Std. Colors:**
- 0 Black,
 - 2 Red,
 - 4 Yellow,
 - 5 Green,
 - 6 Blue,
 - 9 White



Model # BU-31-*

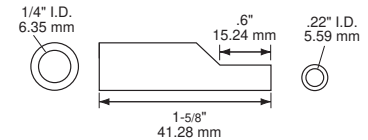
Insulator for Mini Alligator Barrel/Threaded Barrel

Protective flexible vinyl insulator for 30BL, 30TBO

Material: PVC

Length: 1.63" (41.28mm)

- *Std. Colors:**
- 0 Black,
 - 2 Red,
 - 4 Yellow,
 - 5 Green,
 - 6 Blue,
 - 9 White



Model # BU-30BL

Miniature Alligator with Barrel

Solder or crimp connection

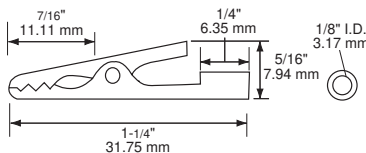
Jaw opens 0.188" (4.8 mm) max

Material: nickel-plated steel

Length: 1.25" (31.75mm)

Rating: 5 Amps

Uses insulator BU-31-*



Model # BU-34/BU-34C/BU-34X

Micro-Alligator

Solder or crimp connection

Jaw opens 0.22" (5.6 mm) max

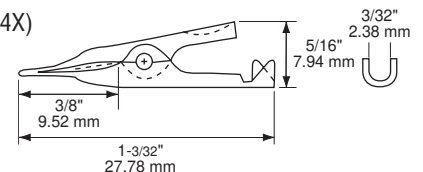
Nose width .07" (1.7 mm)

Material: nickel-plated steel (BU-34) or solid copper (BU-34C) or 304SS (BU-34X)

Length: 1.09" (27.78mm)

Rating: 5 Amps

Uses insulator BU-36-*





Model # BU-36-*

Insulator for Micro Alligator

Protective flexible vinyl insulator for 34, 34C, 34X

Material: PVC

Length: 1.22" (30.95mm)

***Std.** -0 Black,

Colors: -2 Red,
-4 Yellow,
-5 Green,
-6 Blue,
-9 White



Model # BU-60PR2

Probe Tip Alligator Clip

Accepts standard .080" (2mm) probe tip or test probe tip

Jaw opens 0.31" (7.9 mm) max

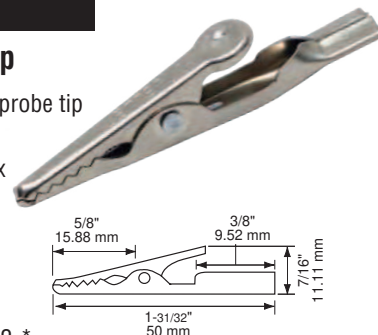
Material: nickel-plated steel

Length: 1.97" (50mm)

Rating: 10 Amps

Use insulator BU-62-* or BU-72-*

Also available is Model #BU-60PR1 which accepts a .125" (3.1mm) Probe



Model # BU-60/BU-60C/BU-60X

Alligator Clip with Barrel

Compatible with all shrouded, unshrouded, or retractable 0.16" (4mm) banana plugs

Solder or crimp connection

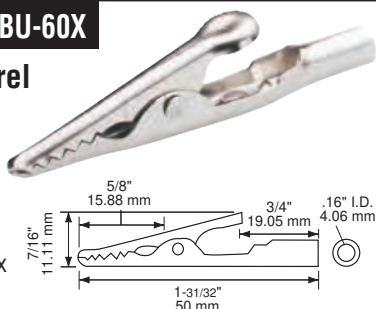
Jaw opens 0.31" (7.9 mm) max

Material: nickel-plated steel (BU-60), solid copper (BU-60C), 304 stainless steel (BU-60X)

Length: 1.97" (50mm)

Rating: 10 Amps

Uses insulator BU-62-* or BU-72-*



Model # BU-60TBO

Threaded Barrel Alligator Clip

8-32 threaded barrel connection

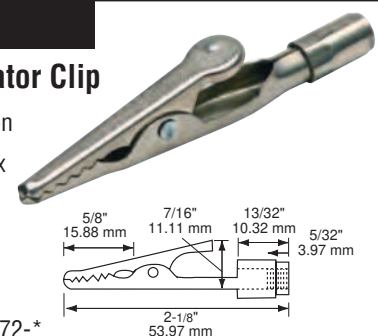
Jaw opens 0.31" (7.9 mm) max

Material: nickel-plated steel

Length: 2.13" (53.97mm)

Rating: 10 Amps

Uses insulator BU-62-* or BU-72-*



Model # BU-60S/BU-60CS*

Alligator Clip with Screw

Compatible with all shrouded, unshrouded, or retractable 0.16" (4mm) banana plugs

6-40 screw connection

Jaw opens 0.31" (7.9 mm) max

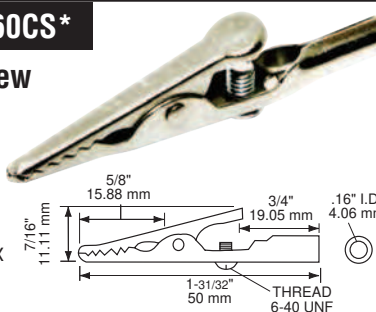
Material: nickel-plated steel (BU-60S) or solid copper (BU-60CS)

Length: 1.97" (50mm)

Federal Spec: CID AA59466-002 (BU-60CS)

Rating: 10 Amps

Uses insulator BU-62-* or BU-72-*



Model # BU-60U

Alligator Clip

Solder or crimp connection

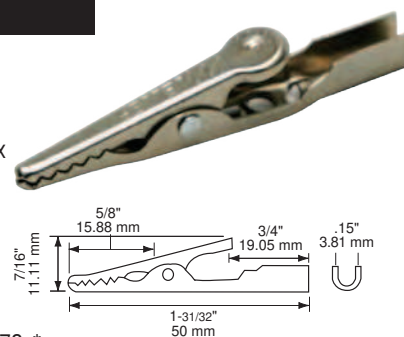
Jaw opens 0.31" (7.9 mm) max

Material: nickel-plated steel

Length: 1.97" (50mm)

Rating: 10 Amps

Uses insulator BU-62-* or BU-72-*



CLIPS & INSULATORS

Color Key

0	Black	2	Red	4	Yellow
5	Green	6	Blue	9	White

Model # BU-61

Alligator Clip with Cage Spring Barrel

Cage spring connection accepts standard probe needle (0.080 dia.)

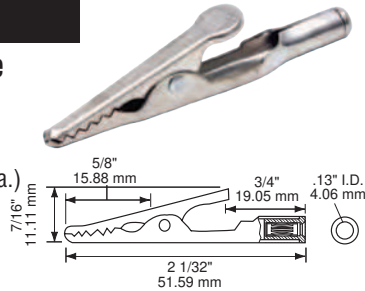
Jaw opens 0.31" (7.9 mm) max

Material: nickel-plated steel clip, nickel-plated brass insert, gold plated beryllium copper cage spring

Length: 2.03" (51.59mm)

Rating: 10 Amps

Uses insulator BU-62-* or BU-72-*



Model # BU-60HS-*/BU-60CHS-*

Alligator Clip with Acetate Handle and Screw

Compatible with all unshrouded, or retractable 0.16" (4mm) banana plugs

Jaw opens 0.31" (7.9 mm) max

Material: (BU-60HS-*) nickel-plated steel or (BU-60CHS-*) solid copper clip

Length: 2.34" (59.53mm)

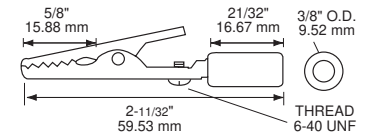
***Std.** -0 Black, -2 Red,

Colors: -4 Yellow, -5 Green, -6 Blue, -9 White

Federal Spec: AA59466-003 (red), (BU-6CHS-2)

Spec: AA59466-016 (black), (BU-60CHS-0)

Rating: 10 Amps



Model # BU-62-*

Insulator for Alligator Clips

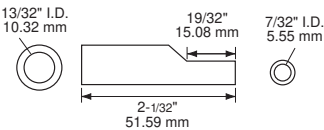
Protective flexible vinyl insulator for 60, 60C, 60CS, 60PR2, 60S, 60TBO, 60U, 60X and 61

Material: PVC

Length: 2.03" (51.59mm)

***Std.** -0 Black,

Colors: -2 Red, -4 Yellow, -5 Green, -6 Blue, -9 White



Model # BU-60HPR-*

Probe Tip Alligator Clip with Acetate Handle

Accepts standard probe tip or test probe tip

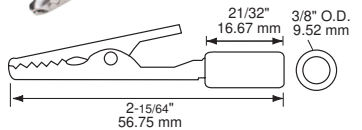
Material: nickel-plated steel clip

Length: 2.23" (56.75mm)

***Std.** -0 Black, -2 Red,

Colors: -4 Yellow, -5 Green, -6 Blue, -9 White

Rating: 10 Amps



Model # BU-60H-*

Alligator Clip with Acetate Handle

Compatible with all unshrouded, or retractable 0.16" (4mm) banana plugs

Jaw opens 0.31" (7.9 mm) max

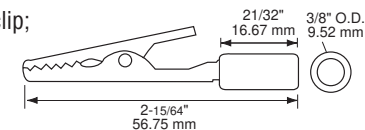
Material: nickel-plated steel clip;

Length: 2.23" (56.75mm)

***Std.** -0 Black,

Colors: -2 Red, -4 Yellow, -5 Green, -6 Blue, -9 White

Rating: 10 Amps



Model # BU-63-*/BU-63C-*

Insulated Alligator Clip

BU-63-* same as BU-60S and includes a skin-tight, two-piece, flexible insulator

BU-63C-* same as BU-60CS and includes a skin-tight, two piece, flexible insulator

Compatible with all shrouded, unshrouded, or retractable 0.16" (4mm) banana plugs

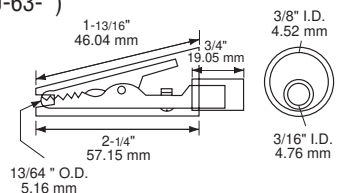
Material: nickel-plated steel (BU-63-*) or solid copper (BU-63C-*)

Length: 2.25" (57.15mm)

***Std.** -0 Black, -2 Red,

Colors: -4 Yellow, -5 Green, -6 Blue, -9 White

Rating: 10 Amps





Model # BU-P2240-*

Alligator Clip & Insulator, (10 Pack)

Ten Each of BU-60 Alligator Clips and BU-62-* Insulators in a convenient bag

*Std. Colors: -0 Black, -2 Red,



Model # BU-70/BU-70C

Alligator Clip

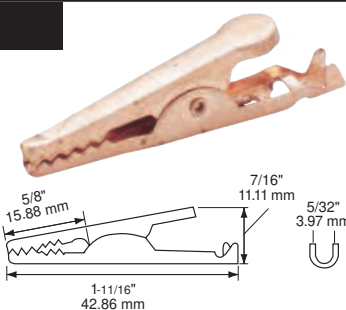
Solder or crimp connection
Jaw opens 0.313" (7.9 mm) max

Material: nickel-plated steel (BU-70) or (BU-70C) solid copper

Length: 1.69" (42.86mm)

Rating: 5 Amps (BU-70) or 10 Amps (BU-70C)

Uses insulator BU-72-*



Model # BU-85/BU-85C

Crocodile Clip

Crimp or screw connection
Jaw opens 0.313" (7.9 mm) max
Nesting teeth provide solid contact along entire length of jaw

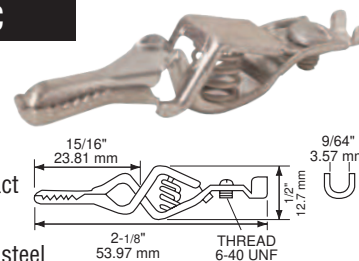
Material: (BU-85) zinc-plated steel or (BU-85C) solid copper

Length: 2.125" (53.97mm)

Federal Spec: AA59466-005 (BU-85C)

Rating: 5 Amps (BU-85) or 10 Amps (BU-85C)

Uses insulator BU-87-*



Model # BU-70S/BU-70CS

Alligator Clip with Screw

6-40 screw or crimp connection
Jaw opens 0.313" (7.9 mm) max

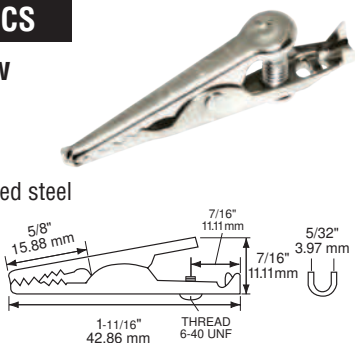
Material: (BU-70S) nickel-plated steel or (BU-70CS) solid copper

Length: 1.69" (42.86mm)

Federal Spec: AA59466-0017 (BU-70CS)

Rating: 5 Amps (BU-70S) or 10 Amps (BU-70CS)

Uses insulator BU-72-*



Model # BU-87-*

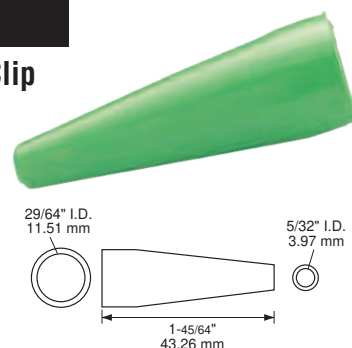
Insulator for Crocodile Clip

Protective flexible vinyl insulator for 85, 85C

Material: PVC

Length: 1.7" (43.26mm)

*Std. -0 Black, -2 Red, -4 Yellow, -5 Green, -6 Blue, -9 White



Model # BU-72-*

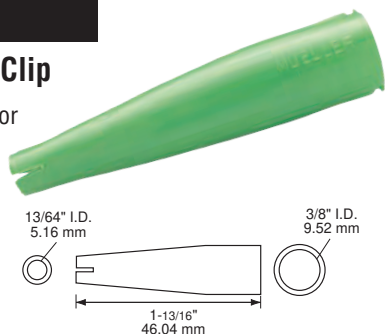
Insulator for Alligator Clip

Protective flexible vinyl insulator for 70, 70C, 70CS, 70S, 60, 60C, 60S, 60CS, 60X

Material: PVC

Length: 1.81" (46.04mm)

*Std. -0 Black, -2 Red, -4 Yellow, -5 Green, -6 Blue, -9 White



Model # BU-651-*

Small Safety Alligator Clip

Compatible with all unshrouded, or retractable 0.16" (4mm) banana plugs
Jaw opens 0.27" (7 mm) max

Material: nickel-plated steel clip, glass-filled nylon housing

Length: 2.24" (57mm)

*Std. -0 Black,

Colors: -2 Red

Rating: 300 V Category II or 150 Category III 10 Amps, IEC 1010 Compliant



CLIPS & INSULATORS

Model # BU-652-*

Small Safety Alligator Clip with Extended Banana Jack

Compatible with all shrouded, unshrouded, or retractable 0.16" (4mm) banana plugs

Jaw opens 0.27" (7 mm) max

Material: nickel-plated steel clip, glass-filled nylon housing

Length: 3.24" (82mm)

***Std. Colors** -0 Black, -2 Red

Rating: 300 V Category II, or 150 V Category III, 20 Amps, IEC 1010 Compliant



Model # BU-65-*

Large Safety Alligator Clip

Compatible with all shrouded, unshrouded, or retractable 0.16" (4mm) banana plugs

Jaw opens 0.75" (19 mm) max

Material: nickel-plated steel clip, glass-filled nylon housing

Length: 3.23" (82.04mm)

***Std.** -0 Black,

Colors: -2 Red, -4 Yellow, -5 Green, -6 Blue, -9 White

Rating: 1000 V, 30 Amps, IEC 1010 Compliant
UL Listed



Model # BU-109-*

Mini-Insulated Alligator Clip with Probe Tip Connection

Can be mounted to any standard .080" Probe tip or 2mm banana plugs

Material: nickel plated steel clip with nylon housing

Length: 1.6" (41mm),

***Std Colors:** -0 Black, -2 Red

Ratings: Hands free testing to 600V, 10 Amps



Color Key

0	Black	2	Red	4	Yellow
5	Green	6	Blue	9	White

Model # BU-110-*

Fully Insulated Mini Clip

Compatible with all shrouded, unshrouded, or retractable .016" (4mm) banana plugs. Jaw opens 0.31" (7.9mm)

Material: Nickel plated steel & nylon

Length: 1.65" (42mm)

***Std. Colors:** -0 Black, -2 Red

Rating: 300V, 6 Amps



Model # BU-45/BU-45C

Pee-Wee Clip

Screw or crimp connection

Jaw opens 0.31" (7.9 mm) max

Material: (BU-45) zinc-plated steel or (BU-45C) solid copper

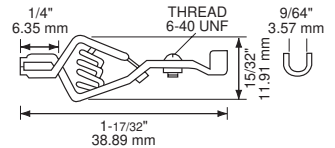
Length: 1.53" (38.89mm)

Federal CID AA59466-006

Spec: (BU-45C)

Rating: 5 Amps (BU-45) or 10 Amps (BU-45C)

Uses insulator BU-47-*



Model # BU-47-*

Insulator for Pee-Wee Clip

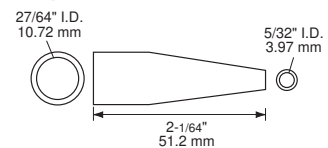
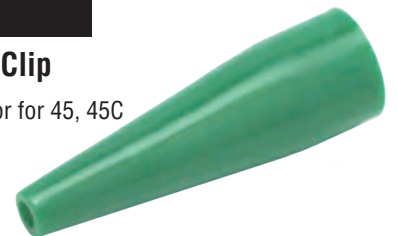
Protective flexible vinyl insulator for 45, 45C

Material: PVC

Length: 2.02" (51.2 mm)

***Std.** -0 Black,

Colors: -2 Red, -4 Yellow, -5 Green, -6 Blue, -9 White



Model # BU-55

Economy Clip

Screw or crimp connection

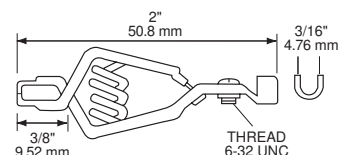
Jaw opens 0.44" (11.1 mm) max

Material: zinc-plated steel

Length: 2" (50.8mm)

Rating: 10 Amps

Uses insulator BU-49-*





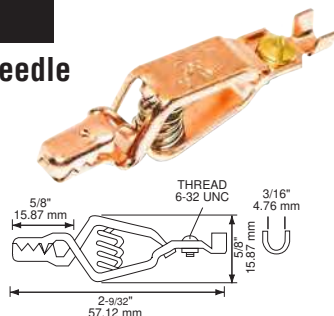
Model # BU-50C

Meter Testing Clip with Needle

Has a solid beryllium copper piercing needle in the top jaw.
Jaw opens .5" (12.5mm)

Excellent for quick connection to insulated wire.

- Material:** Solid Copper
 - Length:** 2.28" (57.12mm)
 - Rating:** 20 Amps
- Uses insulator BU-49-*

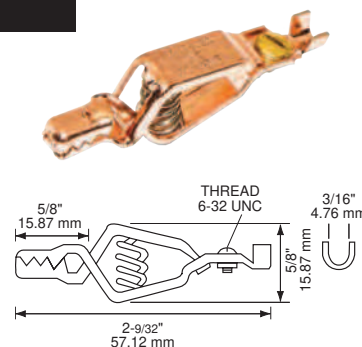


Model # BU-51C

Meter Testing Clip

Same as BU-50C except without insulation piercing needle
Jaw opens 0.5" (12.7 mm) max

- Material:** Solid copper
 - Length:** 2.28" (57.12mm)
 - Rating:** 20 Amps
- Uses insulator BU-49-*

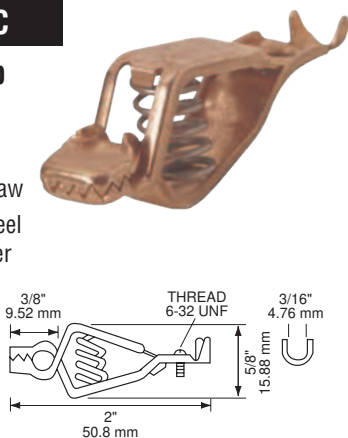


Model # BU-48B/BU-48C

Automotive Analyzer Clip

Screw or crimp connection
Jaw opens 0.5" (12.7 mm) max
Teeth mesh on three sides of the jaw

- Material:** (BU-48B) zinc-plated steel or (BU-48C) solid copper
 - Length:** 2" (50.8mm)
 - Federal Spec:** CID AA59466-007 (BU-48C)
 - Rating:** 10 Amps (BU-48B) or 20 Amps (BU-48C)
- Uses insulator BU-49-*

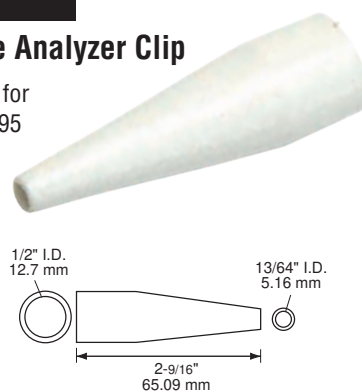


Model # BU-49-*

Insulator for Automotive Analyzer Clip

Protective flexible vinyl insulator for 48B, 48B2E, 48C, 50C, 51C, 55, 95

- Material:** PVC
- Length:** 2.56" (65.09mm)
- *Std.** -0 Black,
- Colors:** -2 Red,
- 4 Yellow,
- 5 Green,
- 6 Blue,
- 9 White

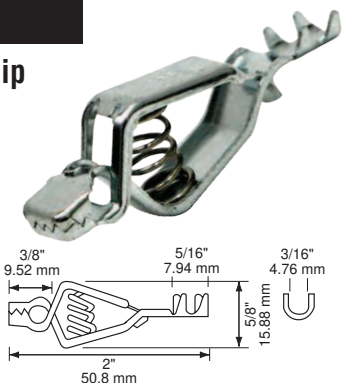


Model # BU-48B2E

Automotive Analyzer Clip

Double crimp connection
Jaw opens 0.5" (12.7 mm) max

- Material:** zinc-plated steel
 - Length:** 2" (50.8mm)
 - Rating:** 10 Amps
- Uses insulator BU-49-*

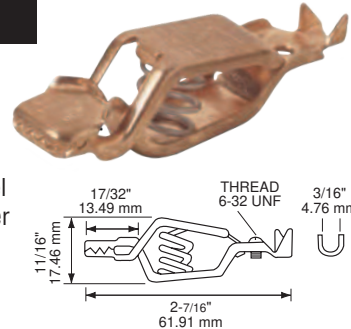


Model # BU-27/BU-27C

General Purpose Clip

Crimp or screw connection;
Jaw opens 0.625" (16 mm) max

- Material:** (BU-27) zinc-plated steel or (BU-27C) solid copper
 - Length:** 2.44" (61.9mm)
 - Federal Spec:** CID AA59466-008 (BU-27C)
 - Rating:** 20 Amps (BU-27) or 40 Amps (BU-27C)
- Uses insulator BU-29-* or BU-90-*



CLIPS & INSULATORS

Color Key

0	Black	2	Red	4	Yellow
5	Green	6	Blue	9	White

Model # BU-27CG/BU-27CGW

Geophone Clip

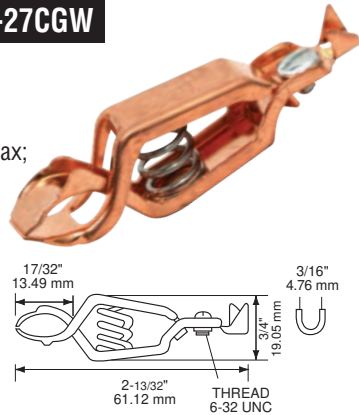
Crimp or screw connection;
Jaw opens 0.625" (16 mm) max;
Curved jaws clip on to
seismograph rings

Material: solid copper;
Spring: steel

Length: 2.4" (61.1mm)

Rating: 40 Amps

Uses insulator BU-29-*
or BU-90-*



Model # BU-24APN/BU-24APS

Heavy Duty Clip

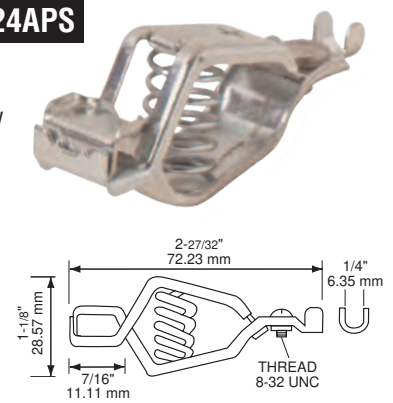
Crimp or screw connection; Jaw
opens 0.75" (19 mm) max; clip
unmarked (BU-24PN) and
marked positive (BU-24APS)

Material: zinc-plated steel;
Spring: steel

Length: 2.84" (72.23mm)

Rating: 25 Amps

Uses insulator BU-26-*



Model # BU-29-*

Insulator for General Purpose/Geophone Clips

Protective flexible vinyl insulator for
27, 27C, 27CG, 27CGW

Material: PVC

Length: 3.5" (88.9mm)

***Std.** -0 Black,

Colors: -2 Red,
-4 Yellow, -5 Green,
-6 Blue, -9 White



Model # BU-25/BU-25C

Automotive Clip

Crimp or screw connection; Jaw
opens 0.75" (19 mm) max; teeth
mesh on three sides of the jaw

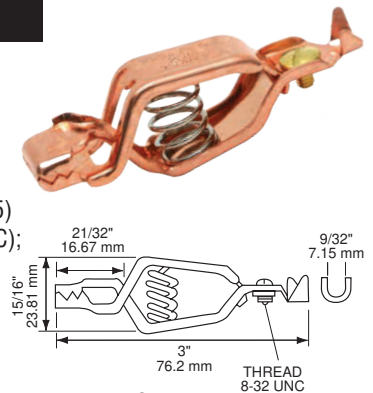
Material: zinc-plated steel (BU-25)
or solid copper (BU-25C);
Spring: steel

Length: 3" (72.6mm)

Federal Spec: CID AA59466-009
(BU-25C)

Rating: 40 Amps (BU-25) or 75 Amps (BU-25C)

Uses insulator BU-26-*



Model # BU-90-*

Insulator for General Purpose/Geophone Clips

Protective flexible vinyl insulator for
27, 27C, 27CG and 27CGW

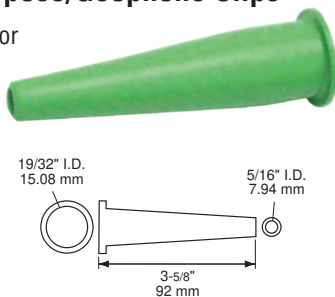
Accepts larger wires or cables
than BU-29-*

Material: PVC

Length: 3.375" (92mm)

***Std.** -0 Black,

Colors: -2 Red,
-4 Yellow, -5 Green,
-6 Blue, -9 White



Model # BU-26-*

Insulator for Automotive Clip

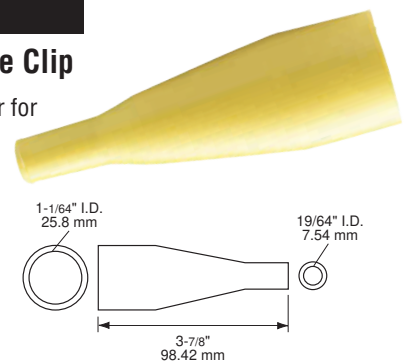
Protective flexible vinyl insulator for
24A, 25, 25C

Material: PVC

Length: 3.88" (98.4 mm)

***Std.** -0 Black,

Colors: -2 Red,
-4 Yellow,
-5 Green,
-6 Blue, -9 White





Model # BU-21APN/BU-21APS/BU-21CPN/BU-21CPS

Heavy Duty Clip for Battery and Test Work

Crimp or screw connection; copper version (21C) equipped with removable copper lug; Jaw opens 1.06" (27 mm) max; clip unmarked (BU-21APN/CPN) and marked positive (BU-21APS/CPS)

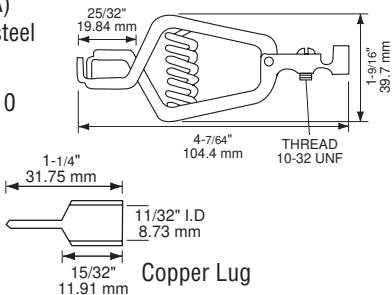
Material: zinc-plated steel (21A) or solid copper (21C); Spring: steel

Length: 4.11" (104.4mm)

Federal Spec: CID AA59466-010 (BU-21CPN)

Rating: 50 Amps (21A) or 100 Amps (21C)

Uses insulator BU-23-*



Model # BU-23-*

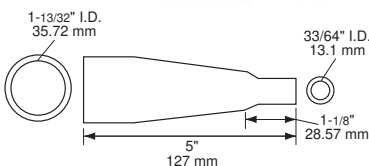
Insulator for Heavy Duty Battery Test Clip

Protective flexible vinyl insulator for 21A, 21C

Material: PVC

Length: 5" (127mm)

***Std.** -0 Black,
-2 Red,
-4 Yellow,
-5 Green,
-6 Blue, -9 White



Model # BU-11APN/BU-11APS/BU-11CPN/BU-11CPS

Heavy Duty Clip for Grounding Applications

BU-11 series clips have a lug connection

Jaw opens 1.625" (41.3 mm) max

Clip unmarked (BU-11APN/CPN) and marked positive (BU-11APS/CPS)

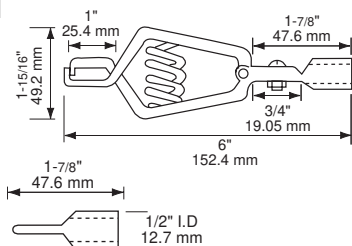
Material: zinc-plated steel (11A) or solid copper (11C); Spring: steel

Length: 6" (152.4 mm)

Federal Spec: CID AA59466-011 (BU-11CPN)

Rating: 100 Amps (11A) or 200 Amps (11C)

Uses insulator BU-13-*



Model # BU-13-*

Insulator for Heavy Duty Clip

Protective flexible vinyl insulator for 11A, 11C

Material: PVC

Length: 6.8" (173mm)

***Std.** -0 Black, -2 Red,
-4 Yellow, -5 Green,
-6 Blue, -9 White



Model # BU-33C

Welding Clip "BIG BRUTE"

Lug connection

Jaw opens 1.81" (46 mm) max

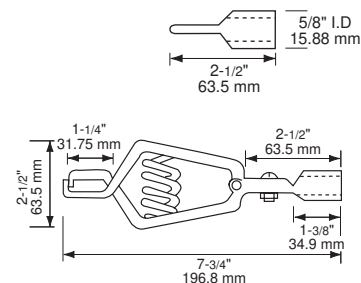
Material: solid copper

Length: 7.75" (196.8mm)

Federal Spec: CID AA59466-012

Rating: 300 Amps

Uses insulator BU-35-*



Model # BU-35-*

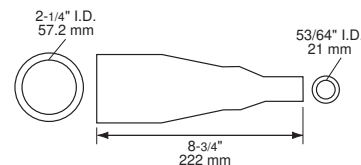
Insulator for Welding Clip

Protective flexible vinyl insulator for 33C

Material: PVC

Length: 8.75" (222mm)

***Std.** -0 Black,
-2 Red,



Color Key

0	Black	2	Red	4	Yellow
5	Green	6	Blue	9	White

Model # BU-58

Grounding Clamp

Attaches to pipe up to 1 3/8" outer diameter

Material: zinc-plated steel
Length: 2.31" (58.75mm)
Rating: 50 Amps



Model # BU-40A-*/BU-40C-*

Micro Plier-Type Clip

Solder or crimp connection
 Jaw opens 0.75" (19 mm) max

Material: (BU-40A) nickel-plated steel or (BU-40C) solid copper
Length: 2.3" (58mm)
***Std.** -0 Black,
Colors: -2 Red,
Rating: 15 Amps (BU-40A), 20 Amps (BU-40C)



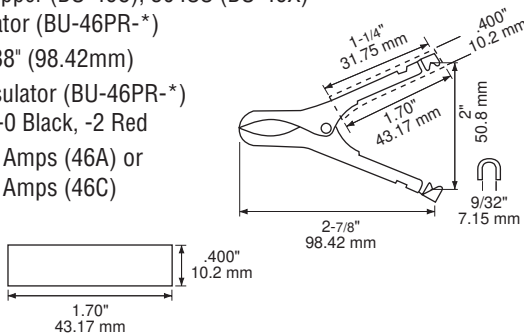
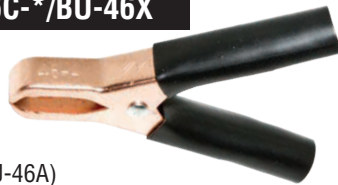
Model # BU-46A-*/BU-46C-*/BU-46X

Miniature Plier-Type Clip

Solder or crimp connection
 Jaw opens 1.125" (28.6 mm) max

Material: copper-plated steel (BU-46A) or solid copper (BU-46C), 304SS (BU-46X) PVC insulator (BU-46PR-*)

Length: 2.88" (98.42mm)
***Std.** Insulator (BU-46PR-*)
Colors: in -0 Black, -2 Red
Rating: 50 Amps (46A) or 75 Amps (46C)

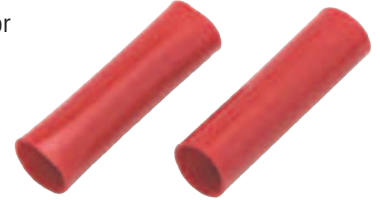


Model # BU-46PR-*

Insulator for Miniature Plier-Type Clip

Protective flexible vinyl insulator for BU-46

Material: PVC
Length: 1.7" (43.18mm)
***Std.** -0 Black,
Colors: -2 Red,



Model # BU-41A-*/BU-41APN/BU-41C-*/BU-41CPN

Plier-Type Clip

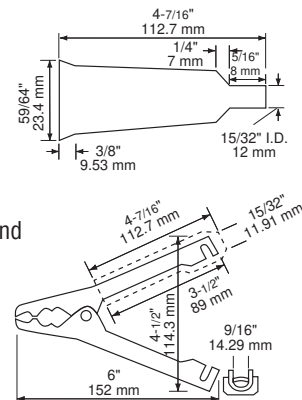
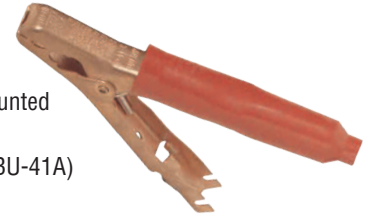
Jaw opens 1.625" (41.3 mm) max
 Locks on to both side and top mounted battery terminals

Material: copper-plated steel (BU-41A) or solid copper (BU-41C), PVC insulator (BU-43PR-*)

Length: 6" (152mm)
***Std.** Insulator (BU-43PR-*)
Colors: in -0 Black, -2 Red, -4 Yellow, -5 Green, -6 Blue, -9 White

Federal Spec: CID AA59466-014 BU-41-CPS-VZZZ-2 (red) and CID AA59466-015, BU-41CPN-VZZZ-0 (black)

Rating: 200 Amps (41A) or 400 Amps (41C)

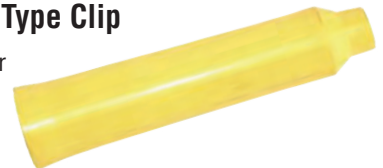


Model # BU-43PR-*

Insulator Pair for Plier-Type Clip

Protective flexible vinyl insulator for BU-41

Material: PVC
Length: 4.4" (112.73mm)
***Std.** -0 Black,
Colors: -2 Red, -4 Yellow, -5 Green, -6 Blue, -9 White





Model # BU-112-*

Insulated Battery Clip

Has integral .025" x .032" male quick connect terminal

Material: Jaws are 304 SS, with nylon housing

Length: 3.15" (80mm)

***Std Colors:** -0 Black, -2 Red

Ratings: Hands free testing to 600V, 30 Amps



Model # BU-108K

Insulated Kelvin Battery Clip

Jaws are curved for easy battery connection

Material: Brass jaws with nylon housing

Length: 4.1" (104mm)

***Std Colors:** -0 Black, -2 Red

Ratings: 50 Amps



Model # BU-102B-*/BU-102BK-*

Insulated Battery Clip

Solder lug connection. Fully insulated clip with serrated jaws; BU-102BK-* has Kelvinized isolated jaws and no copper shunt

Material: Housing: glass filled nylon; Jaw: copper; Spring: music wire, zinc plated

Length: 6.5" (165mm)

***Std.** -0 Black,

Colors: -2 Red

Rating: 300 Amps



Model # BU-75K

Kelvin Clip

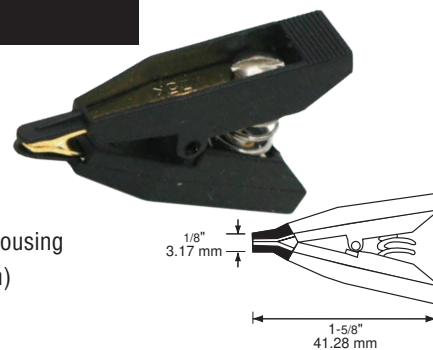
Screw connection. Jaw opens 0.313" (7.9 mm) max.

Isolated jaws

Material: Silver/Gold tip contacts, nylon housing

Length: 1.625" (41.28mm)

Rating: 10 Amps



Model # BU-78K

Kelvin Clip

Solder connection. Jaw opens 0.5" (12 mm) max

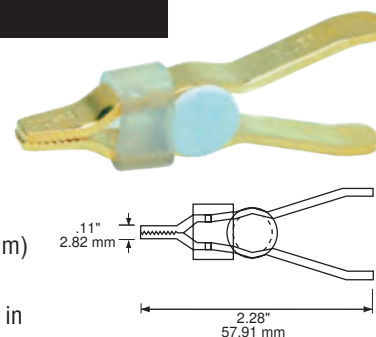
Isolated jaws

Material: Gold contacts

Length: 2.28" (57.91mm)

Rating: 10 Amps

Wires run through channel in thimbal and solder into holes under the silicone spring.



Model # BU-102W-*

Insulated Welding Clip

Solder lug connection. Fully insulated clip with serrated contact pad and braided copper shunt

Material: Housing: glass filled nylon; Jaw: copper; Spring: music wire, zinc plated

Length: 6.5" (165mm)

***Std.** -0 Black,

Colors: -2 Red

Rating: 400 Amps



Model # BU-X15400-*

Epoxy Coated Battery Clip

Solder/crimp connection. Jaw opens 1.50" (38.1 mm) max. Locks on to both side and top mounted battery terminals

Material: steel, epoxy coated clips with copper plated jaws

Length: 6.75" (171.45mm)

***Std. Colors:** -0 Black, -2 Red

Rating: 200 Amps



CLIPS & INSULATORS

Model # JP-25182

Small Angled Nose Telecom Clip with Bed of Nails

Mueller – J.S. Popper brand.
Jaw opens 1.0" (25.4mm).
Uses bed of nails to pierce insulation

Material: nickel-silver jaws; includes brass screw, brass nut, brass washer, and bronze star washer

Length: 2.34" (59.4mm)

Connection -N Without Hardware, -L With Loose Hardware,

Options: -J Banana Jack, -TJ Threaded Banana Jack
-S Nickel plated steel version of clip



Model # JP-8099

Large Angled Nose Telecom Clip with Single Spike

Mueller – J.S. Popper brand
Jaw opens 1.0" (25.4mm)
Uses single spike to pierce insulation

Material: nickel-silver jaws; includes brass screw, brass nut, brass washer, and bronze star washer

Length: 2.34" (59.4mm)

Connection -N Without Hardware, -L With Loose Hardware,

Options: -J Banana Jack, -TJ Threaded Banana Jack



Model # JP-8078

Large Angled Nose Telecom Clip with Hex Screw Attached Single Spike

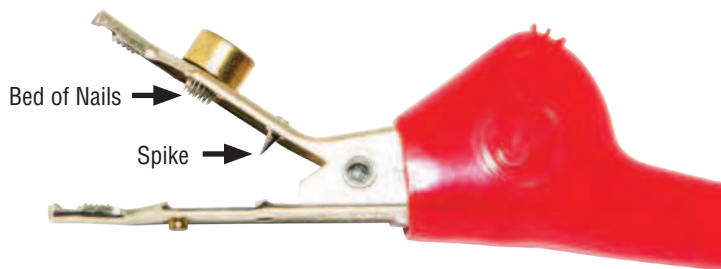
Mueller – J.S. Popper brand
Jaw opens 1.0" (25.4mm)
Uses single spike to pierce insulation

Material: nickel-silver jaws; includes brass screw, brass nut, brass washer, and bronze star washer

Length: 2.34" (59.4mm)

Connection -N Without Hardware, -L With Loose Hardware,

Options: -J Banana Jack, -TJ Threaded Banana Jack



Model # JP-8783

Large Angled Nose Telecom Clip with Bed of Nails and Single Spike

Mueller – J.S. Popper brand. Jaw opens 1.0" (25.4mm). Uses single spike and bed of nails to pierce insulation

Material: nickel-silver jaws; includes brass screw, brass nut, brass washer, and bronze star washer

Length: 2.61" (66.4mm)

Connection -N Without Hardware, -L With Loose Hardware,

Options: -J Banana Jack, -TJ Threaded Banana Jack
-S Nickel plated steel version of clip



Model # JP-33699

Large Straight Nose Telecom Clip with Single Spike

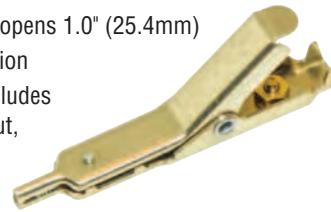
Mueller – J.S. Popper brand. Jaw opens 1.0" (25.4mm)
Uses single spike to pierce insulation

Material: nickel-silver jaws; includes brass screw, brass nut, brass washer, and bronze star washer

Length: 2.61" (66.4mm)

Connection -N Without Hardware, -L With Loose Hardware,

Options: -J Banana Jack, -TJ Threaded Banana Jack



Model # JP-33674

Large Straight Nose Telecom Clip with Bed of Nails and Single Spike

Mueller – J.S. Popper brand. Jaw opens 1.0" (25.4mm) Uses single spike and bed of nails to pierce insulation

Material: nickel-silver jaws; includes brass screw, brass nut, brass washer, and bronze star washer

Length: 2.61" (66.4mm)

Connection -N Without Hardware, -L With Loose Hardware,

Options: -J Banana Jack, -TJ Threaded Banana Jack



Model # JP-5869-B

Contact Clip with Bed of Nails

Mueller – J.S. Popper brand
Jaw opens 0.52" (13.2mm)
Uses bed of nails to pierce insulation

Material: Steel

Length: 2.4" (61.0mm)





Model # JP-8681-*

Insulator for Telecom Clips

Mueller – J.S. Popper brand
 Protective flexible vinyl insulator
 for 25182, 8099, 8078,
 8783, 33699, 33674

- Material:** PVC
Length: 2.4" (61.0mm)
***Std.** -0 Black,
Colors: -2 Red,
 -4 Yellow,
 -5 Green,
 -6 Blue,
 -9 White



Model # JP-8681-C*

Cut Insulator for Telecom Clips

Mueller – J.S. Popper brand
 Protective flexible vinyl insulator for
 telecom clips with banana jack
 or threaded banana jack
 connections

- Material:** PVC
Length: 1.8" (45.7mm)
***Std.** -0 Black,
Colors: -2 Red,
 -4 Yellow,
 -5 Green,
 -6 Blue,
 -9 White



BANANA PLUGS & JACKS

Mueller's jacks, binding posts and banana plugs ensure a reliable connection. All plug bodies are nickel-plated brass. Shielded jacks provide additional user safety where it is required.

Model # BU-00226-*

4mm Banana Plug With 8-32 Thread

Nine leaf cage spring 4mm banana plug

Material: Banana Plug: nickel-plated brass body;
Spring: nickel-plated phosphor bronze;

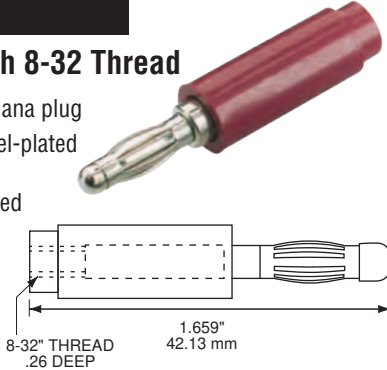
Insulator: ABS

Length: 1.66" (42.13mm)

***Std.** -0 Black,

Colors: -2 Red

Rating: 1000 Volts,
15 Amps (hands free)



Model # BU-00244-*

Solderless 4mm Banana Plug -Hex Design

Material: Banana Plug: nickel-plated brass body;
Spring: nickel-plated phosphor bronze;

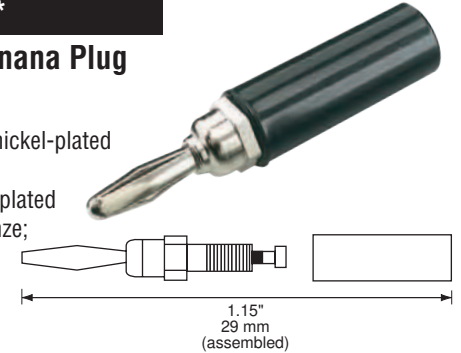
Insulator: ABS

Length: 1.15" (29mm)

***Std.** -0 Black,

Colors: -2 Red

Rating: 15 Amps



Model # BU-00241

Threaded 4mm Banana Plug

Standard 4mm banana plug with 6-32 thread, solder lug and hex nut

Material: Banana Plug: nickel-plated brass body;
Spring: nickel-plated phosphor bronze

Length: 1.21" (31mm)

Rating: 15 Amp



Model # BU-00245-*

Set Screw 4mm Banana Plug

Material: Banana Plug: nickel-plated brass body;
Spring: nickel-plated phosphor bronze;

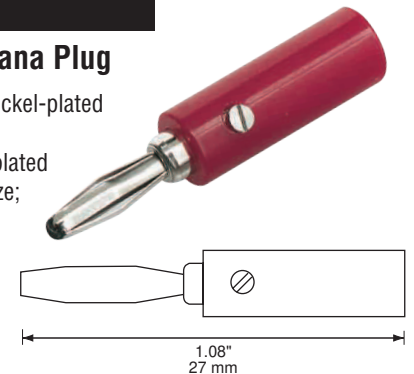
Insulator: ABS

Length: 1.08" (27mm)

***Std.** -0 Black,

Colors: -2 Red

Rating: 15 Amps



Model # BU-00243-*

Solderless 4mm Banana Plug

Material: Banana Plug: nickel-plated brass body;
Spring: nickel-plated phosphor bronze; Insulator: ABS

Length: 1.1" (28mm)

***Std.** -0 Black,

Colors: -2 Red

Rating: 15 Amp



Model # BU-00246-*

Tapered Handle 4mm Banana Plug

Material: Banana Plug: nickel-plated brass body;
Spring: nickel-plated phosphor bronze;

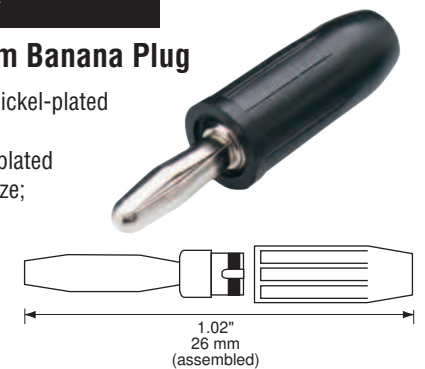
Insulator: ABS

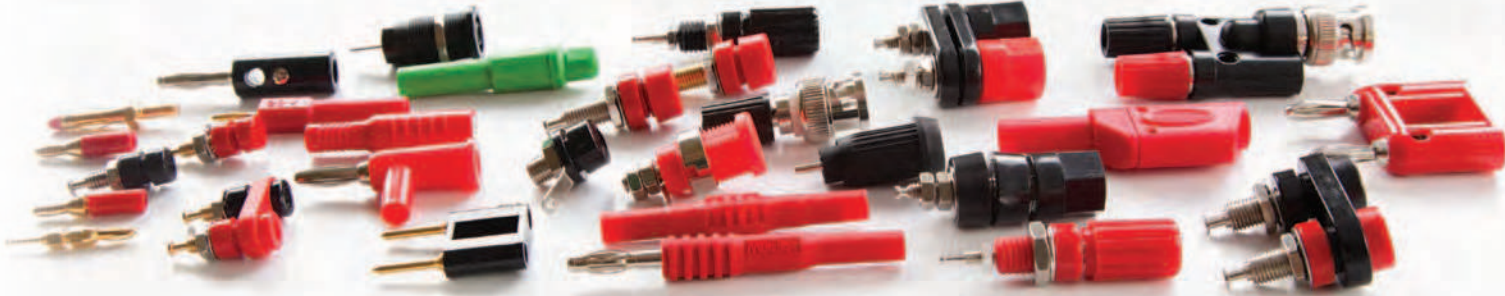
Length: 1.02" (26mm)

***Std.** -0 Black,

Colors: -2 Red

Rating: 15 Amps





Model # BU-00249-*

Stackable 4mm Banana Plug

Material: Banana Plug: nickel-plated brass body; Spring: nickel-plated phosphor bronze; Insulator: ABS

Length: 1.68" (43mm)

***Std.** -0 Black,

Colors: -2 Red

Rating: 15 Amps



Model # BU-32101-*

Insulated 4mm Banana Jack To Standard Banana Plug

Material: Banana Plug: nickel-plated brass body; Spring: nickel-plated beryllium copper; Insulator: nylon

Length: 2.61" (66.3mm)

***Std.** -0 Black,

Colors: -2 Red, -4 Yellow, -6 Blue

Rating: 1000 V, 15 Amps (hands free), EC 1010 Compliant



Model # BU-16-*

Unshrouded Stackable 4mm Banana Plug

Material: Banana Plug: nickel-plated brass body; Spring: nickel-plated beryllium copper; Insulator: Nylon

Length: 1.88" (47.7mm)

***Std.** -0 Black,

Colors: -2 Red

Rating: 1000 Volts, 15 Amps (Hands free)



Model # BU-32601-*

Insulated 4mm Banana Coupler

Material: Banana Plug: nickel-plated brass; Insulator: nylon

Length: 2.50" (63.5mm)

***Std.** -0 Black,

Colors: -2 Red, -4 Yellow, -6 Blue

Rating: 1000V, 15 Amps, IEC 1010 Compliant UL 61010 Listed.



Model # BU-32614-X

Retractable Stackable 4mm Banana Plug

Spring Loaded clear sheath, Solder Connection

Material: Beryllium copper contact with nylon housing

***Std.** -0 Black, -2 Red,

Colors: -4 Yellow, -5 Green, -6 Blue, -8 Gray, -9 White

Rating: 20 Amps, Hands free testing to 1000 V.



Model # BU-32603-*

Cable Mountable 4mm Shrouded Banana Plug

Material: Banana Plug: nickel-plated brass; Insulator: nylon

Length: 1.91" (48.5mm)

***Std.** -0 Black,

Colors: -2 Red

Rating: 1000V, category III, 1500V, category II, 20 Amps,

IEC 1010 Compliant



Model # BU-00247-*

Dual 4mm Banana Plug

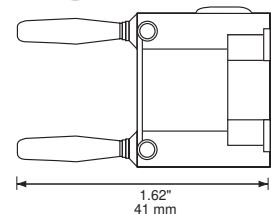
Insulator: PVC

Length: 1.62" (41mm)

***Std.** -0 Black,

Colors: -2 Red, -4 Yellow, -5 Green, -6 Blue

Rating: 15 Amps



BANANA PLUGS & JACKS



Model # BU-P1330-*

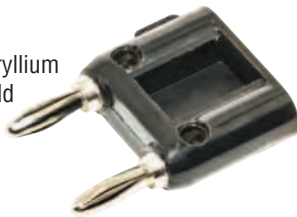
4mm Dual Banana Plug

Material: Contacts: Nickel plated beryllium copper with nylon overmold

***Std.** -0 Black,

Colors: -2 Red

Rating: 15 Amps
Hands free testing to 5000VRMS Max.



BU-P2970-*

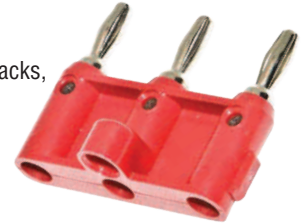
Triple 4mm Banana Plug

Material: 4mm Banana plugs and Jacks, Nickel plated brass

***Std.** -0 Black,

Colors: -2 Red

Rating: 15 Amps
Hands free testing to 1000VRMS Max..



BU-P1825-*

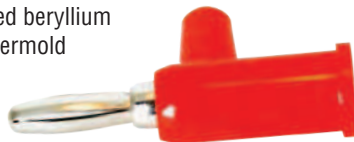
Stackable 4mm Banana Plug (10 Pack)

Material: Contacts: Nickel plated beryllium copper with nylon overmold

***Std.** -0 Black,

Colors: -2 Red

Rating: 15 Amps
Hands free testing to 5000VRMS Max.



BU-P3264

4mm Banana Plug, 1.06" 8-32 Thread (10 Pack)

Includes solder lug and hex nut

Material: Nickel plated beryllium copper

Rating: 15 Amps
Hands free testing to 5000VRMS Max.



BU-P2269

Dual 4mm Banana Jack

Material: Solder connection, Nickel plated brass with nylon insulators

Panel Thickness: .375" (9.5) max.

Rating: 15 Amps
Hands free testing to 1000VDC Max.



BU-P3750-*

Binding Post, Gold Plated Brass

Mounts in panels between .070" and .250" thick

***Std.** -0 Black,

Colors: -2 Red

Rating: 15 Amps Hands free testing to 2500 VRMS Max.



BU-P2854-*

Banana Jack, 4mm (10 Pack)

Material: Gold plated brass contacts with High temp Nylon insulators, Solder connection.

Panel Thickness: Maximum panel thickness is .250" (6,35)

***Std.** -0 Black,
Colors: -2 Red
Rating: 5 Amps, Hands free testing to 2000 VDC Max.



BU-P3770-*

Binding Post, Gold Plated Tellurium

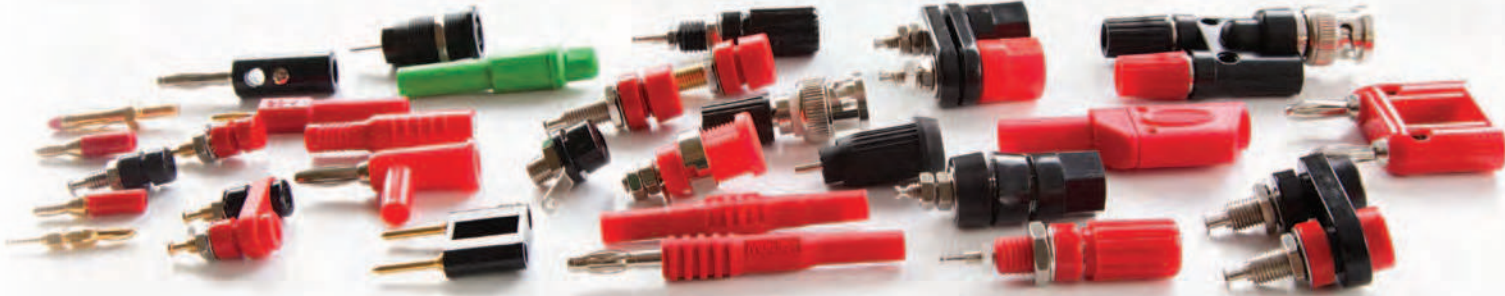
Mounts in panels between .070" and .250" thick

***Std.** -0 Black,

Colors: -2 Red

Rating: 15 Amps Hands free testing to 2500 VRMS Max.





BU-P5167-*

4mm Banana Jack, 18-22AWG

Can be soldered or crimped

Material: Nickel plated brass with flexible PVC insulator

***Std. Colors** -0 Black, -2 Red

Rating: 15 Amps. Hands free testing to 5000 VDC Max.



BU-P5145

Dual 4mm Banana Shorting Bar, Black

Material: Nickel plated beryllium copper contacts

Rating: 15 Amps
Hands free testing to 1000V Max.



BU-P5168-*

4mm Banana Jack, 14-16AWG

Can be soldered or crimped

Material: Nickel plated brass with flexible PVC insulator

***Std. Colors** -0 Black, -2 Red

Rating: 15 Amps Hands free testing to 5000 VDC Max.



BU-P72918

Threaded 4mm Banana Plug M3 (10 Pack)

Material: Nickel plated brass

Rating: 36 Amps
Hands free testing to 5000 VRMS Max.



BU-P5169-*

4mm Banana Plug, 18-22AWG

Can be soldered or crimped

Material: Nickel plated brass with flexible PVC insulator

***Std. Colors** -0 Black, -2 Red

Rating: 15 Amps Hands free testing to 5000 VDC Max.



BU-PMDP-*

Stackable Double 4mm Banana Plug

Material: Nickel plated beryllium copper contacts with polypropylene overmold

***Std. Colors** -0 Black, -2 Red, -9 White
Rating: 15 Amps Hands free testing to 5000 VRMS Max.



BU-P5170-*

4mm Banana Plug, 14-16AWG

Can be soldered or crimped

Material: Nickel plated brass with flexible PVC insulator

***Std. Colors** -0 Black, -2 Red

Rating: 15 Amps Hands free testing to 5000 VDC Max.

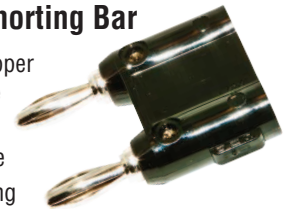


BU-PMDP-S-*

Double 4mm Banana Plug Shorting Bar

Material: Nickel plated beryllium copper contacts with polypropylene overmold

***Std. Colors** -0 Black, -2 Red, -9 White
Rating: 15 Amps. Hands free testing to 5000 VRMS Max.



BU-P122505-*

Retractable 4mm Banana Plug

Solder Connection

Material: Beryllium copper and glass filled nylon

***Std. Colors** -0 Black, -2 Red

Rating: 20 Amps. Hands free testing to 1000 V.



BU-31104-*

Stackable 4mm Banana Plug

Solder Connection

Material: Beryllium copper and polypropylene

***Std. Colors** -0 Black, -2 Red

Rating: 20 Amps. Hands free testing to 1000 VRMS.



BANANA PLUGS & JACKS

BANANA PLUGS & JACKS

MINIS

BU-P4513

Mini Threaded Banana Plug, Gold Plated, (10 Pack)

Material: Gold plated beryllium copper
Rating: 5 Amps
 Hands free testing to 2000 VDC Max.



BU-P3276

Mini Banana Plug, .23" 4-40 Thread (10 Pack)

Material: Mini Banana plug is gold plated beryllium copper
Rating: 5 Amps
 Hands free testing to 2000 VDC Max.



BU-P3690-*

Mini Banana Plug (10 Pack)

For use with 20-22 AWG wire
Material: Gold plated beryllium copper
***Std. Colors:** -0 Black, -2 Red
Rating: 5 Amps Hands free testing to 1000 VDC Max.



BU-P2142-*

Mini Banana Jack (10 Pack)

Material: Nickel plated brass with nylon bezel. Solder connection.
Panel Thickness: Maximum panel thickness is .250" (6,35)
***Std. Colors:** -0 Black, -2 Red
Rating: 5 Amps Hands free testing to 1000VDC Max..



BU-P2143-*

Dual Mini Banana Jack

Material: Gold plated brass with nylon bezel. Solder connection.
Panel Thickness: .188" (4,7)
***Spacer Colors:** -0 Black, -2 Red
Rating: 5 Amps. Hands free testing to 1000VDC Max.



PIN TIPS

BU-P3452

Pin Tip Shorting Bar, Black

Material: Gold plated brass pins, and gold plated beryllium copper contacts
Rating: 5 Amps
 Hands free testing to 3000 VRMS Max.



BU-P4543-*

Dual Pin Tip Jack

Material: Gold plated beryllium copper contacts with nylon insulators
***Spacer Colors:** -0 Black, -2 Red
Rating: 5 Amps Hands free testing to 1500 VDC Max.



BU-P3542-*

Pin Tip Jack (10 Pack)

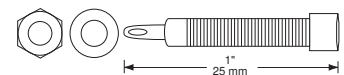
Material: Gold plated beryllium copper contacts and gold plated brass jacks with high temperature nylon insulators
***Std. Colors:** -0 Black, -2 Red
Rating: 5 Amps Hands free testing to 1500 VRMS Max.



Model # BU-00234-*

Insulated Phone Tip Jack

Material: Banana Jack: nickel-plated brass body; Spring: nickel-plated phosphor bronze; Insulator: ABS
Length: 1" (25mm)
***Std. Colors:** -0 Black, -2 Red
Rating: 15 Amps

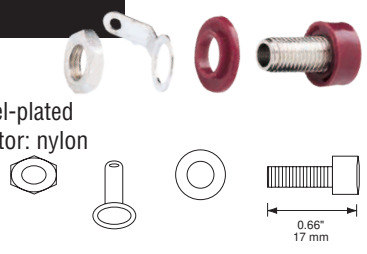




Model # BU-00233-*

Insulated Banana Jack

Material: Banana Jack: nickel-plated brass body; Insulator: nylon
Length: 0.66" (17mm)
***Std. Colors:** -0 Black, -2 Red
Rating: 15 Amps



Model # BU-00282-*

Five-Way Binding Post

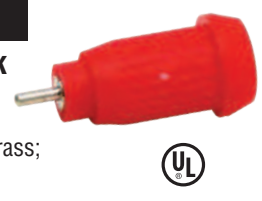
Material: Post: nickel-plated brass; Insulator: nylon
Length: 2.10" (53mm)
***Std. Colors:** -0 Black, -2 Red
Rating: 15 Amps



Model # BU-31602-*

Pressfit Insulated Banana Jack with Solder Pin Connection

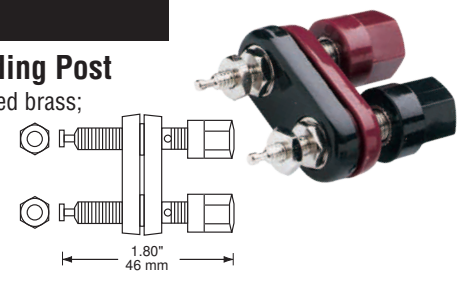
Material: Banana Plug: nickel-plated brass; Insulator: Dupont 101L
Length: 1.25" (31.75mm)
***Std. Colors:** -0 Black, -2 Red, -4 Yellow, -6 Blue
Rating: 1000 V, 15 Amps, IEC 1010 Compliant
 UL 61010 Listed



Model # BU-00283

Dual Five-Way Binding Post

Material: Post: nickel-plated brass; Insulator: nylon
Length: 1.80" (46mm)
Rating: 15 Amps



Model # BU-31603-*

Pressfit Insulated Banana Jack with Spade Connection

Material: Banana Plug: nickel-plated brass; Insulator: Dupont 101L
Length: 1.37" (34.8mm)
***Std. Colors:** -0 Black, -2 Red, -4 Yellow, -6 Blue
Rating: 1000 V, 15 Amps, IEC 1010 Compliant
 UL 61010 Listed



Model # BU-31607-*

Screw-in Safety Socket with Stud and Metal Nut

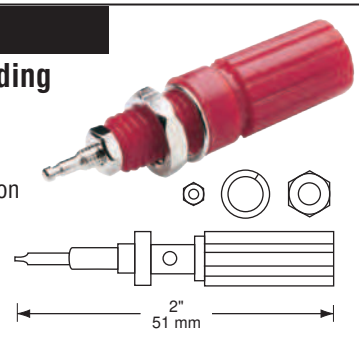
Material: Hardware: nickel-plated brass; Insulator: ABS-nylon composite
Length: 1.53" (39mm)
***Std. Colors:** -0 Black, -2 Red, -4 Yellow, -5 Green, -6 Blue, -9 White
Rating: 600V, category III, 1000V, category II, 35 Amps, IEC 1010 Compliant



Model # BU-00281-*

Slim-Line Five Way Binding Post-Threaded

Material: Post: nickel-plated brass; Insulator: nylon
Length: 2" (51mm)
***Std. Colors:** -0 Black, -2 Red
Rating: 15 Amps



Model # BU-31610-*

Screw-in Socket with 1/4" Spade Connector

Material: Connector: Nickel-plated brass; Insulator: ABS-nylon composite
Length: 1.3" (33mm)
***Std Colors:** -0 Black, -2 Red
Ratings: 600V category III, 1000V category II, 35 Amps, IEC 1010 Compliant





GRABBERS, PROBES & SPADE TERMINALS

Model # BU-00201-*/BU-00202-*/BU-00203-*

Plunger Clip

Material: Cap & Body: glass filled nylon;
Spring: stainless steel; Contact: beryllium copper;
insulated to a single contact point

Length: 1.75" (44mm) (BU-00201-*);
2.50" (63mm) (BU-00202-*);
3.50" (88mm) (BU-00203-*)

***Std Colors:** -0 black, -2 red
Rating: 1000 Volts, 10 Amps



GRABBERS, PROBES & SPADE TERMINALS

Model # BU-00207-*

Safety Plunger Clip Adapter with 8-32 Thread

Material: Body: nylon;
Spring: stainless steel; Contact:
stainless steel

Length: 2.23" (56.64mm)

***Std Colors:** -0 Black, -2 Red
Rating: 1000 Volts, 15 Amps



Model # BU-00208-*

Mini-Micro Plunger Clip

Material: Cap & Body: tough,
durable nylon; Spring: stainless
steel compression coil;
Contact: gold-plated
beryllium copper

Length: 1.75" (44mm)

***Std Colors:** -0 Black, -2 Red
Rating: 600 Volts, 3 Amps



Mueller grabber clips and test probes are available in a wide variety of sizes to ensure that even the most hard to reach test point is easily accessible. We provide a fast and easy connection to terminals and component test leads.

Color Key

0	Black	2	Red	4	Yellow
5	Green	6	Blue	9	White

Model # BU-20431-*

Right Angle Insulated Plunger Hook Clip

Compatible with all shrouded, unshrouded, or retractable 0.16" (4mm) banana plugs

Material: Housing: nylon. Contact:
nickel-plated beryllium copper

Length: 4.60" (116.84mm); the hook
extends 0.41" (10mm)
when fully depressed

***Std Colors:** -0 Black, -2 Red, -4 Yellow,
-6 Blue

Rating: 1000V, 15 Amps, IEC 1010 Compliant



Model # BU-20432-*/BU-20433-*

Right Angle Insulated Plunger Clamp Clip

Compatible with all shrouded, unshrouded, or retractable 0.16" (4mm) banana plugs

Material: Housing: nylon;
Contact: nickel-plated beryllium copper

Length: 5.50" (139.7mm) (BU-20432-*);
7.50" (190.5mm) (BU-20433-*)

***Std Colors:** -0 Black, -2 Red,
-4 Yellow, -6 Blue

Rating: 1000V, 1 Amps,
IEC 1010 Compliant



Model # BU-00209-*

Safety Plunger Clip Adapter with 8-32 Thread

Material: Body: nylon;
Spring and Contact: stainless steel

Length: 3.5" (89mm)

***Std Colors:** -0 Black, -2 Red,
Rating: 1000V, 15 Amps
UL Listed





Model # BU-20434-*

Right Angle Insulated Plunger Jaw Clip

Compatible with all shrouded, unshrouded, or retractable 0.16" (4mm) banana plugs

Material: Housing: nylon;
Contact: nickel-plated steel

Length: 5.26" (133.6mm); the steel jaws extend 0.48" (12mm) and open to 1" (25mm)

***Std Colors:** -0 Black, -2 Red, -4 Yellow, -6 Blue

Rating: 1000V, 15 Amps, IEC 1010 Compliant
UL Listed



Model # BU-26101-*

Insulated Plug-On Test Prod With Stainless Steel Tip

Compatible with all shrouded, unshrouded, or retractable 0.16" (4mm) banana plugs

Material: Housing: nylon; Contact: nickel-plated brass

Length: 3" (76.2mm)

***Std Colors:** -0 Black, -2 Red, -4 Yellow, -6 Blue

Rating: 1000V, 20 Amps, IEC 1010 Compliant
UL Listed



Model # BU-26106-*

Insulated Plug-On Test Prod With 8-32 Thread Tip

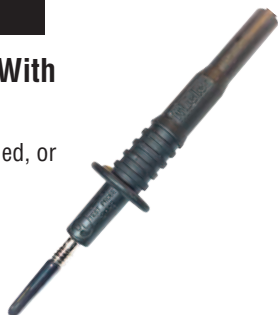
Compatible with all shrouded, unshrouded, or retractable 0.16" (4mm) banana plugs

Material: Housing: nylon; Contact: nickel-plated brass

Length: 3.3" (83mm)

***Std Colors:** -0 Black, -2 Red, -4 Yellow, -6 Blue

Rating: 1000V, 20 Amps, IEC 1010 Compliant
UL Listed



Model # BU-26130-*

Ultra Tech Test Prod

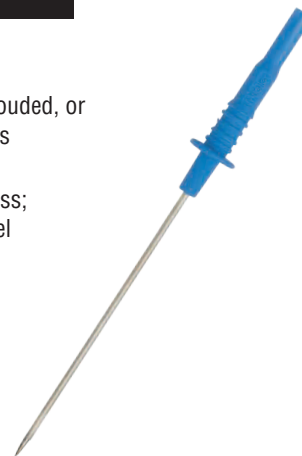
Compatible with all shrouded, unshrouded, or retractable 0.16" (4mm) banana plugs

Material: Housing: nylon; Contact: nickel-plated brass; Probe Tip: Stainless steel

Length: 6.27" (159.3mm)

***Std Colors:** -0 Black, -2 Red, -4 Yellow, -6 Blue

Rating: 1000V, 20 Amps, IEC 1010 Compliant
UL Listed



Model # BU-21434-*

Insulated Plunger Jaw Clip

Compatible with all type of 4mm banana plugs.

Material: Housing: nylon
Jaws: 304 stainless steel

Length: 6.13" (156mm), Jaw opens to .37" (9.4mm)

***Std Colors:** -0 Black, -2 Red

Ratings: 1000 V Cat III, 10 Amps



Model # BU-30211

4mm Spade Terminal to 4mm Banana Jack

Material: Body; Nickel Plated Brass. Housing is nylon.

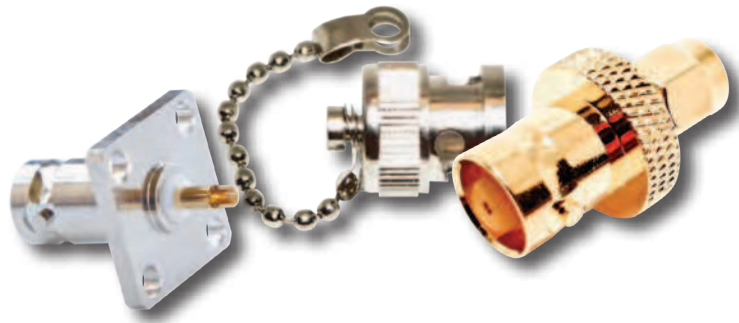
****Length:** 1.69" (43mm)

***Std Colors:** -0 Black, -2 Red, -4 Yellow, -5 Green, -6 Blue, -9 White

Ratings: 30Vac-60Vdc, 36 Amps



COAXIAL CONNECTORS



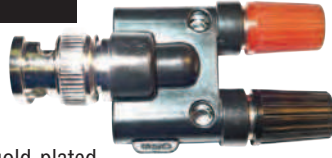
Model # BU-P1296

Adapter-BNC Male to Double Binding Post

Material: BNC: Tarnish resistant plated brass body and gold-plated brass center contact; Banana Jacks: Brass body, Nickel-plated; Insulator: Nylon

Length: 2.32" (59 mm)

Rating: 600 Volts, 3 Amps



Model # BU-P3533

BNC Connector (M-M)

Material: Body: Nickel Plated Brass
Contacts: Gold plated Beryllium Copper; Insulator: PTFE

Rating: Temperature: -50°C to 170°C;
Impedance: 50 Ohms



Model # BU-P2451

BNC Female Panel Receptacle

Material: Body: Nickel plated brass
Contacts: Gold plated beryllium copper; Insulator: PTFE

50 Ohms Impedance. 30 VAC/60 VDC Max Shield/Earth. 500 VRMS Inner Conductor/ Shield. RoHS Compliant.



Model # BU-P3534

BNC Connector Right Angle (F-M)

Material: Body: Nickel Plated brass body;
Center Contacts: Gold plated beryllium copper

Rating: Impedance: 50 Ohms



Model # BU-P3283

BNC Adapter (F-F)

Material: Body: Nickel plated brass
Contacts: Gold plated beryllium copper; Insulator: PTFE

50 Ohms Impedance. 30 VAC/60 VDC Max Shield/Earth. 500 VRMS Inner Conductor/ Shield.



Model # BU-P3778

BNC Female Bulkhead Receptacle

BNC ground is isolated from panel. Can be mounted in panels up to .175" thick.

Material: Center Contacts: Gold plated beryllium copper

Rating: Impedance: 50 Ohms



Model # BU-P3285

BNC Connector "T" (F-M-F)

Material: Body: Nickel plated brass
Contacts: Gold plated beryllium copper; Insulator: PTFE

50 Ohms Impedance. 30 VAC/60 VDC Max Shield/Earth. 500 VRMS Inner Conductor/ Shield.



Model # BU-P3839

BNC Female Cap (with chain)

Nickel plated brass body with silicone rubber gasket.

Material: Body: Nickel plated brass
Contacts: Gold plated beryllium copper; Insulator: PTFE





Model # BU-P3846

BNC Panel Mount Connector (F-F)

Mounts in panels up to .175" thick.

Material: Body: Nickel Plated Brass;
Center Contact: Gold plated

Rating: Impedence: 50 Ohms

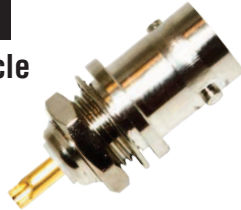


Model # BU-P4160

Bulkhead Female BNC Receptacle

Material: Body: Brass, Tarnish resistant plating; Center Contact: Gold plated Beryllium Copper; Dielectric: PTFE

Rating: Temperature: -50°C to 170°C; 30 VAC/60 VDC Max shield/earth; 500 VRMS Inner conductor/shield; Impedence: 50 Ohms



Model # BU-P4289

SMA Female to BNC Male

Material: Body: Tarnish Resistant Nickel Plated; Center Contact: Gold plated Beryllium Copper

Rating: Impedance: 50 Ohms; Frequency: 0 to 12.4GHz



Model # BU-P4290

SMA Male to BNC Female

Material: Body: Tarnish Resistant Gold Plated Brass; Center Contact: Gold plated Beryllium Copper

Rating: Impedance: 50 Ohms; Frequency: 0 to 12.4GHz



Model # BU-P3791

Male BNC connector with Stain Relief

Crimp style installation to RG58 Coax

Material: Body: Nickel Plated Brass
Contact: Gold plated Beryllium Copper

Ratings: 50 Ohms impedance, hands free testing to 500 VRMS



Model # BU-P4578

Female BNC, PCB Mount

Material: Body: Brass, Tarnish resistant nickel plating, Mtg. Pin: Nickel plated brass; Center Contact: Gold plated Beryllium copper; Center Pin: Gold plated brass; Dielectric: PTFE

Rating: Impedence: 50 Ohms; Temperature: -70°C to 170°C; 30 VAC/60 VDC Max shield/earth; 500 VRMS Inner conductor/shield

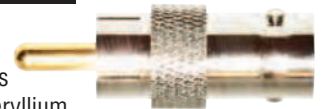


Model # BU-P5319

BNC Female to Phono Plug

Material: Body: Nickel plated brass
Contacts: Gold plated Beryllium Copper; Phono Contact: Gold plated brass; Insulator: PTFE

Rating: Voltage: Hands free testing to 500 VRMS Max.
Temp: -50°C to 105°C; Frequency: 0 to 12.4 GHz
Impedance: 50 Ohms



Model # BU-P6738

BNC T-Connector (F-F-F)

Material: Body: Nickel plated brass
Contacts: Gold plated Beryllium Copper; Insulator: PTFE

Rating: Temp: -50°C to 105°C; Impedance: 50 Ohms



Model # BU-P72973

SMA Flange Mount Connector (F-F)

Material: Body: Gold plated brass; Center Contacts: Gold plated Beryllium Copper

Rating: Impedance: 50 Ohms; Frequency: 0 to 18GHz



Model # BU-P72981

SMB Plug Crimp Installation

Material: Body: Nickel plated brass
Contacts: Gold plated Beryllium Copper; Insulator: PTFE

Rating: Voltage: Hands free testing to 250 VRMS Max.; Temp: -50°C to 170°C
Frequency: 0 to 3 GHz; Impedance: 50 Ohms

