



Chipsmall Limited consists of a professional team with an average of over 10 year of expertise in the distribution of electronic components. Based in Hongkong, we have already established firm and mutual-benefit business relationships with customers from,Europe,America and south Asia,supplying obsolete and hard-to-find components to meet their specific needs.

With the principle of “Quality Parts,Customers Priority,Honest Operation,and Considerate Service”,our business mainly focus on the distribution of electronic components. Line cards we deal with include Microchip,ALPS,ROHM,Xilinx,Pulse,ON,Everlight and Freescale. Main products comprise IC,Modules,Potentiometer,IC Socket,Relay,Connector.Our parts cover such applications as commercial,industrial, and automotives areas.

We are looking forward to setting up business relationship with you and hope to provide you with the best service and solution. Let us make a better world for our industry!



Contact us

Tel: +86-755-8981 8866 Fax: +86-755-8427 6832

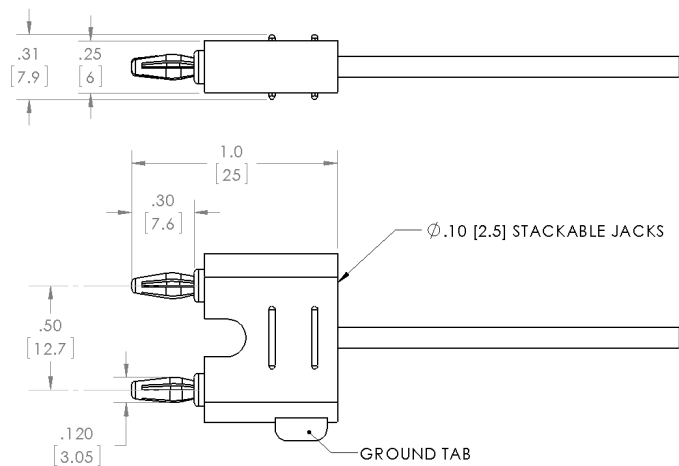
Email & Skype: info@chipsmall.com Web: www.chipsmall.com

Address: A1208, Overseas Decoration Building, #122 Zhenhua RD., Futian, Shenzhen, China



BU-P2247-K-XX

(Test Lead: Dual Stackable, Mini Banana Plugs Each End, RG174)



- The BU-P2247-K-XX is a test lead with dual stackable, 3mm banana plugs on each end. The mini banana plugs are spaced at .50" (12.7mm) centers.
- Constructed with RG174 Coax cable. Center conductor is 26 AWG tinned copper and the shield is tinned copper braid (98% coverage). The overmold material is polypropylene. The Banana plugs are gold plated brass and beryllium copper.
- Length: The "XX" in the model number represents the overall length in inches. Standard lengths are: 12" (30cm), 24" (61cm) , 36"(.9m), 48" (1.2m) and 60" (1.5m)
- Ratings: 50 Ohms, Hands free testing to 1000 VRMS
- RoHS Compliant