



Chipsmall Limited consists of a professional team with an average of over 10 year of expertise in the distribution of electronic components. Based in Hongkong, we have already established firm and mutual-benefit business relationships with customers from,Europe,America and south Asia,supplying obsolete and hard-to-find components to meet their specific needs.

With the principle of “Quality Parts,Customers Priority,Honest Operation,and Considerate Service”,our business mainly focus on the distribution of electronic components. Line cards we deal with include Microchip,ALPS,ROHM,Xilinx,Pulse,ON,Everlight and Freescale. Main products comprise IC,Modules,Potentiometer,IC Socket,Relay,Connector.Our parts cover such applications as commercial,industrial, and automotives areas.

We are looking forward to setting up business relationship with you and hope to provide you with the best service and solution. Let us make a better world for our industry!



## Contact us

Tel: +86-755-8981 8866 Fax: +86-755-8427 6832

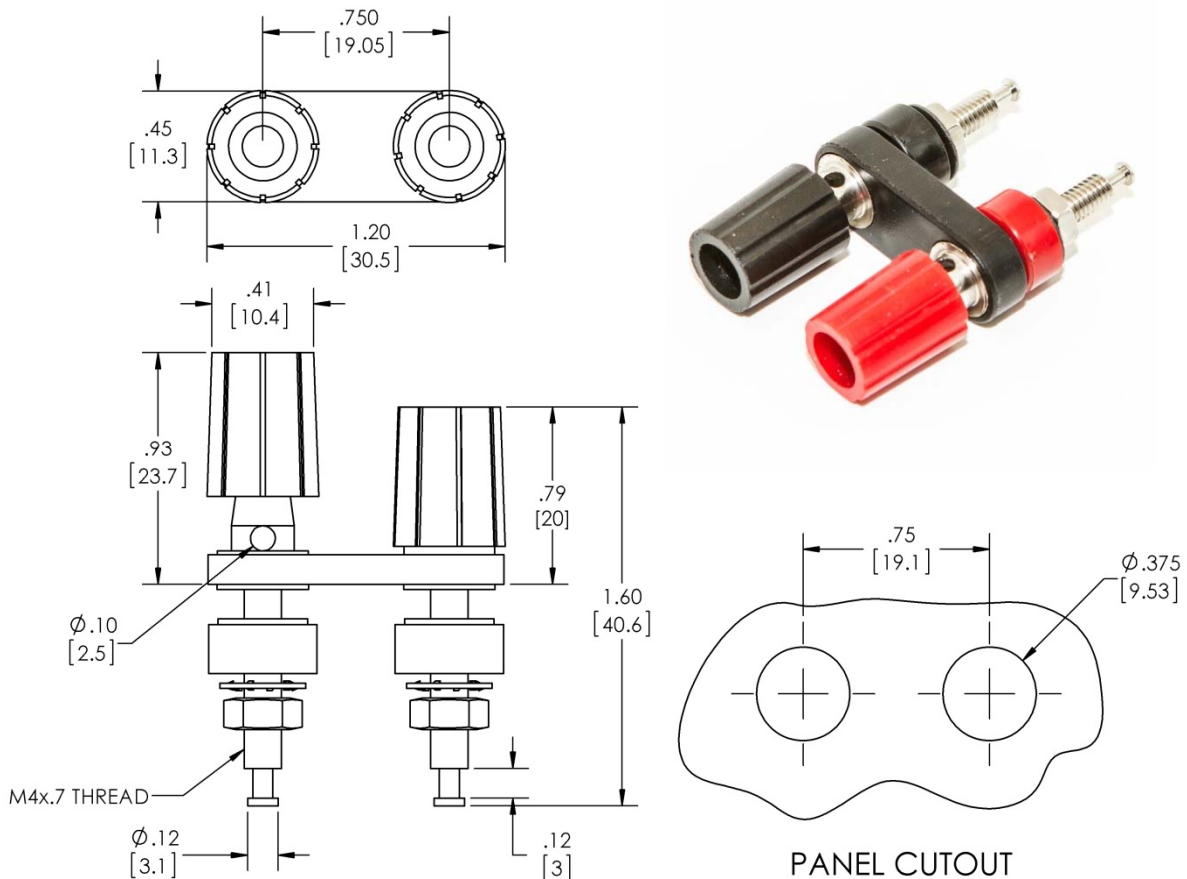
Email & Skype: info@chipsmall.com Web: www.chipsmall.com

Address: A1208, Overseas Decoration Building, #122 Zhenhua RD., Futian, Shenzhen, China



## BU-P4243-\*

(SLIM-LINE DOUBLE BINDING POST)



- The BU-P4243 is a slim-line binding post which accepts non-shrouded and retractable 4mm banana plugs as well as bare wire and 7mm (ID) spade connectors. Internal wires connected by solder post.
- Material: Bright Tin Plated Brass with Polycarbonate Insulators and High Temp ABS Spacer
- Panel Cutout is:  $\phi .375$ " (9.5mm) thru holes on .75" (19mm) centers  
Mounts thru panels up to .25" (6.4mm) thick
- Ratings: 15 Amps, Hands Free testing to 1000V.
- Color: The "\*" in the model number indicates color of spacer (-0 Shown).  
Available colors are: -0 Black, -2 Red
- RoHS Compliant