



Chipsmall Limited consists of a professional team with an average of over 10 year of expertise in the distribution of electronic components. Based in Hongkong, we have already established firm and mutual-benefit business relationships with customers from,Europe,America and south Asia,supplying obsolete and hard-to-find components to meet their specific needs.

With the principle of “Quality Parts,Customers Priority,Honest Operation,and Considerate Service”,our business mainly focus on the distribution of electronic components. Line cards we deal with include Microchip,ALPS,ROHM,Xilinx,Pulse,ON,Everlight and Freescale. Main products comprise IC,Modules,Potentiometer,IC Socket,Relay,Connector.Our parts cover such applications as commercial,industrial, and automotives areas.

We are looking forward to setting up business relationship with you and hope to provide you with the best service and solution. Let us make a better world for our industry!



## Contact us

Tel: +86-755-8981 8866 Fax: +86-755-8427 6832

Email & Skype: info@chipsmall.com Web: www.chipsmall.com

Address: A1208, Overseas Decoration Building, #122 Zhenhua RD., Futian, Shenzhen, China



**MSDL (Mobile Shrink Data Link) Transceivers for Mobile Phones**

# Data rate 1350Mbps RGB Interface


**BU7964GUW**

No.10058EAT04

**●Description**

BU7964GUW is a differential serial interface connecting mobile phone LCD modules to the host CPU. Unique technology is utilized for lower power consumption and EMI. MSDL minimizes the number of wires required - an important consideration in hinge phones - resulting in greater reliability and design flexibility.

**●Features**

- 1) MSDL3 high-speed differential interface with a maximum transfer rate of 1350 Mbps.
- 2) Compatible with 24-bit RGB video mode for LCD controller-to-LCD interface.
- 3) Pixel clock frequency range from 4 to 45MHz.
- 4) Depending on the data transfer rate, either, two or three differential data channels can be selected.

**●Applications**

Serial Interface for LCD Display Interface of Mobile Devices Application.

**●Absolute Maximum Ratings**

Parameter	Symbol	Ratings	Unit	Remarks
Power Supply Voltage	DVDD	-0.3 ~ +2.5	V	-
	MSVDD	-0.3 ~ +2.5	V	-
Input Voltage	VIN	-0.3 ~ MSVDD+0.3	V	I/O terminals of MSVDD line
		-0.3 ~ DVDD+0.3	V	I/O terminals of DVDD line
Output Voltage	VOUT	-0.3 ~ MSVDD+0.3	V	I/O terminals of MSVDD line
		-0.3 ~ DVDD+0.3	V	I/O terminals of DVDD line
Input Current	IIN	-10 ~ +10	mA	-
Output Current	IOUT	-70 ~ +70	mA	-
Preservation Temperature	Tstg	-55 ~ +125	°C	-

**●Operating Conditions**

Parameter	Symbol	Ratings			Unit	Conditions
		Min	Typ	Max		
Supply Voltage for DVDD	V <sub>DVDD</sub>	1.65	1.80	1.95	V	V <sub>DVDD</sub> = V <sub>MSVDD</sub>
Supply Voltage for MSVDD	V <sub>MSVDD</sub>	1.65	1.80	1.95	V	
Data Transmission Rate	DR	120	-	450	Mbps/ch	-
Operating Temperature Range	T <sub>opr</sub>	-30	25	85	°C	-

● Package View

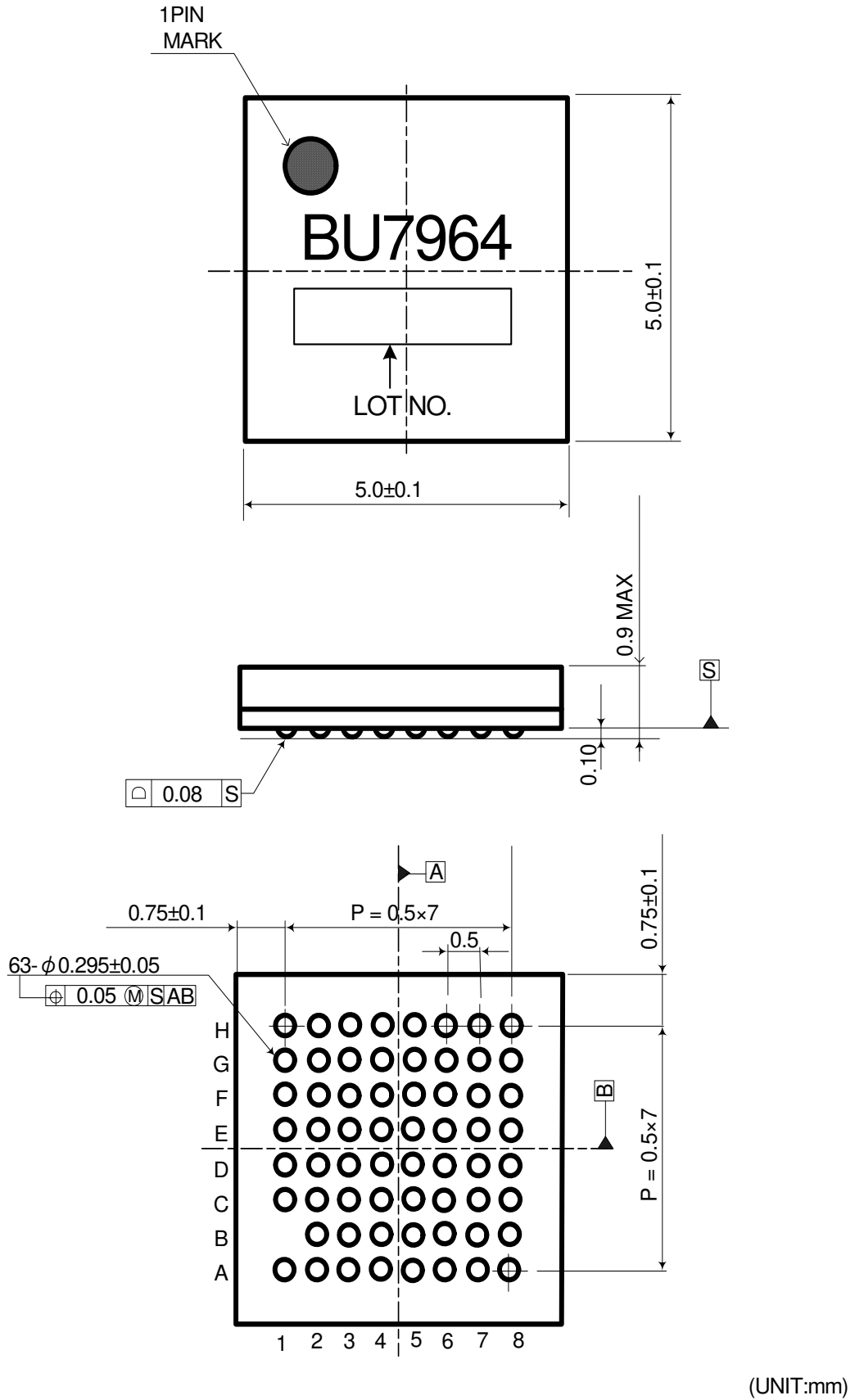


Fig.1. Package View (VBGA063W50)

●Block Diagram

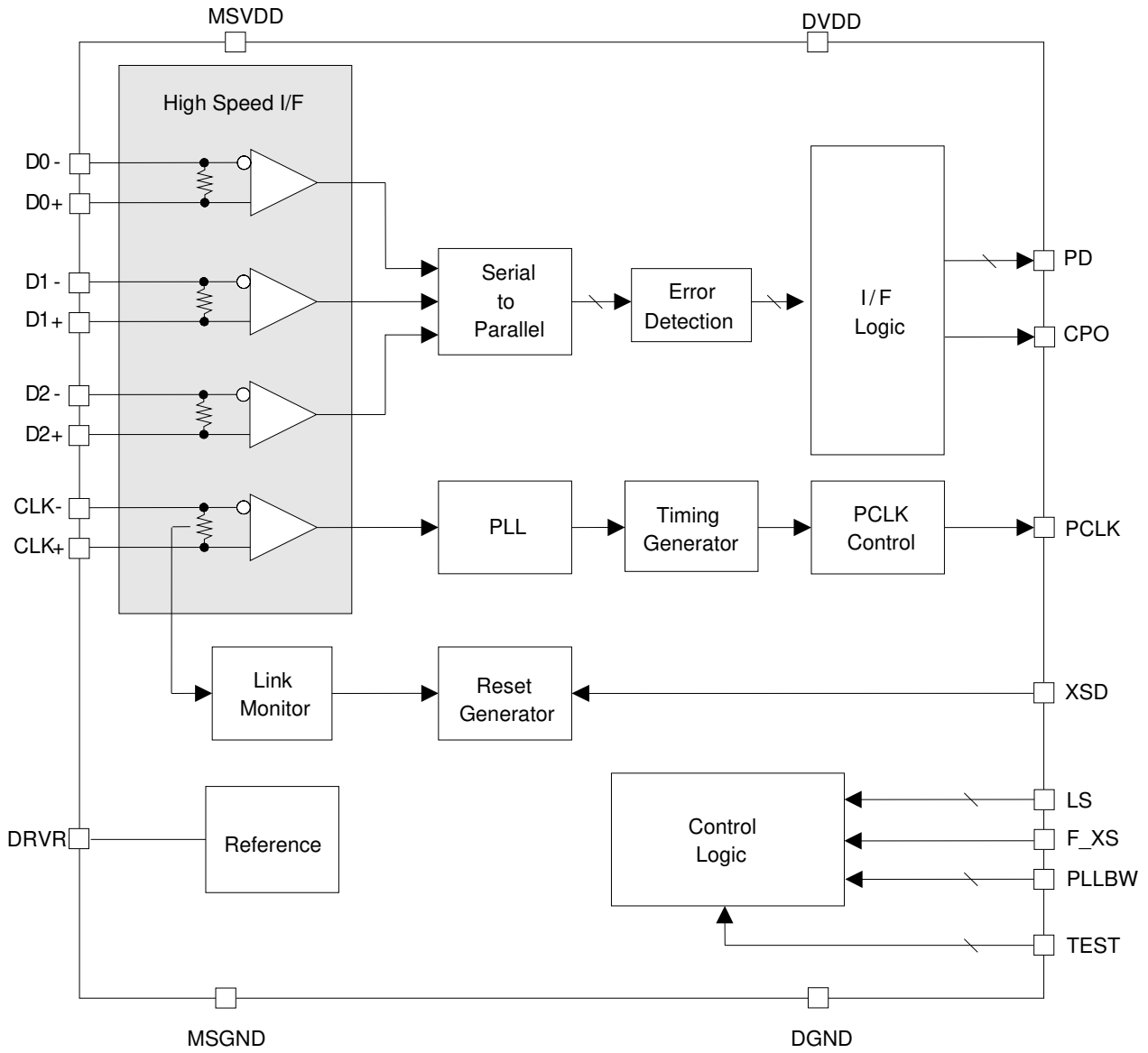


Fig.2. Block Diagram

## ● Pin Layout

	1	2	3	4	5	6	7	8
A	TEST0	PD19	PD17	PD16	PD14	PD13	PD10	CPO
B	X	PCLK	PD18	PD15	PD12	PD11	PD9	PD8
C	PD22	PD20	PLL_BW0	DVDD	N.C.	F_XS	PD7	PD6
D	PD23	PD21	N.C.	DGND	DGND	DVDD	PD4	PD5
E	PD25	PD24	DVDD	DGND	MSGND	N.C.	PD1	PD3
F	PD26	LS0	MSVDD	MSGND	MSVDD	N.C.	XSD	PD2
G	LS1	PLL_BW1	D2-	D1-	CLK-	D0-	N.C.	PD0
H	N.C.	N.C.	D2+	D1+	CLK+	D0+	DRVR	TEST1

Fig.3. Pin Layout (Top View)

## ● Pin Functions

Table 1. Power Supply and Ground

Power Supply / Ground: 10-pin		
Name	Width	Functions
DVDD	3	Logic core, CMOS I/O power supply.
MSVDD	2	Analog core power supply.
DGND	3	CMOS I/O and logic core ground.
MSGND	2	Analog core ground.

Table 2. MSDL3

High-Speed Serial Interface: 8-pin						
Name	Width	Level	I/O	Functions	Shutdown	Equivalent Schematic
CLK+	1	Analog	I	CLK+pin.	Pull Down	D
CLK-	1	Analog	I	CLK-pin.	Pull Down	D
D0+	1	Analog	I	D0+pin.	Pull Down	D
D0-	1	Analog	I	D0-pin.	Pull Down	D
D1+	1	Analog	I	D1+pin.	Pull Down	D
D1-	1	Analog	I	D1-pin.	Pull Down	D
D2+	1	Analog	I	D2+pin.	Pull Down	D
D2-	1	Analog	I	D2-pin.	Pull Down	D

Table 3. Analog

Analog: 1-pin						
Name	Width	Level	I/O	Functions	Shutdown	Equivalent Schematic
DRVR	1	Analog	-	10kΩ ± 5% resistor should be connected between DRVR and MSGND.	-	D

Table 4. Parallel Data Interface

Parallel Data Interface: 29-pin						
Name	Width	Level	I/O	Functions	Shutdown	Equivalent Schematic
PCLK	1	CMOS	O	PCLK interface.	'L'	C
PD[26:0]	27	CMOS	O	Parallel data interface.	'L'	C
CPO	1	CMOS	O	Parity error toggled output, normally 'L,' output is toggled during one PCLK period when a parity error is detected	'L'	C

Table 5. Control

Control: 8-pin						
Name	Width	Level	I/O	Functions	Shutdown	Equivalent Schematic
XSD	1	CMOS	I	Shutdown pin. 'L': shutdown. 'H': normal operation.	Input	A
LS0	1	CMOS	I	Selection of the number of data channel and the data format. Refer to section 0. * Set the same number of data channel between the TX device and the RX device.	Input	A
LS1	1					
F_XS	1	CMOS	I	Selection of CMOS output rising and falling slope 'L': slow 'H': fast	Input	A
PLL_BW0	1	CMOS	I	Selection of PLL bandwidth.	Input	A
PLL_BW1	1					
TEST0	1	Pull down	I	Test mode pins. 'L': normal mode. 'H': test mode. Must be open or 'L.'	Input	B
TEST1	1					B

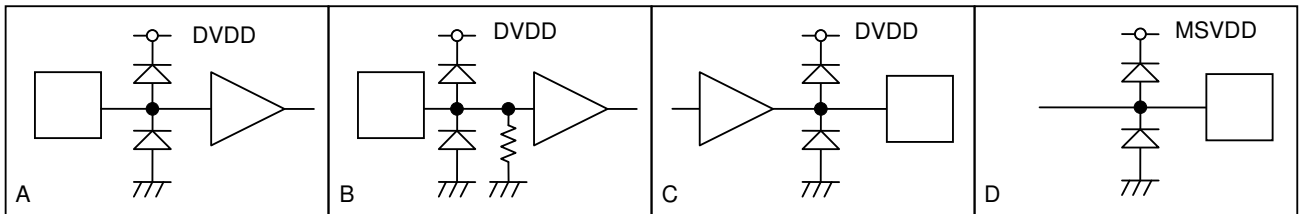


Fig.4. Equivalent Schematics

### ●Operation Control

#### MSDL3 Channel Count Selection

Pins LS0 and LS1 are used to control the high-speed data channel count and data format. High-speed data channel count, data format should be the same between the transmitting and receiving devices (the BU7963GUW and BU7964GUW, respectively). Table 6 shows and Receipt Data rate ranges for the LS pin settings.

Table 6. The Range of The Receipt Data rate

LS1	LS0	The Number of Data Channel	The Range of PCLK Input Frequency [MHz]	The Range of The Data Receipt Rate [Mbits/sec]
'L'	'L'	1-channel (27-bit format).	4.0-15.0	120-450
'L'	'H'	2-channel (27-bit format).	8.0-30.0	240-900
'H'	'L'	3-channel (27-bit format).	12.0-45.0	360-1350

#### CMOS Output Drivability Selection

F\_XS determines output drivability of the parallel data interface. Table 7 shows output drivability.

Table 7. Output Drivability

F_XS	Output Drivability
'L'	1mA Type
'H'	3mA Type

#### PLL Bandwidth Selection

BU7964GUW controls the range of the CLK+ / CLK- input frequency (= PCLK output frequency) by the setting of the data format (LS1, and LS0) of the high-speed data channel and the bandwidth setting of PLL\_BW0 and PLL\_BW1.

Table 8. PLL Bandwidth Selection

LS1	LS0	PLL_BW1	PLL_BW0	CLK+/CLK- Frequency Range [MHz] (PCLK Input Frequency)	
				Min	Max
'L'	'L'	'L'	'L'	4	7
'L'	'L'	'L'	'H'	6	11
'L'	'L'	'H'	'L'	10	15
'L'	'H'	'L'	'L'	8	14
'L'	'H'	'L'	'H'	12	22
'L'	'H'	'H'	'L'	20	30
'H'	'L'	'L'	'L'	12	21
'H'	'L'	'L'	'H'	18	33
'H'	'L'	'H'	'L'	30	45



● Power Modes

BU7964GUW has three power modes.

1) Shutdown Mode

BU7964GUW goes to Shutdown Mode when XSD = 'L.' All logic circuits are initialized in the Shutdown Mode. All high-speed signaling are pulled down to MSGND. All parallel data interface output 'L'.

2) Standby Mode

BU7964GUW goes to a Standby Mode when XSD = 'H' and CLK+ / CLK- is Hi-Z. All high-speed signaling inputs sink DC current in order to pull the pins down to MSGND. BU7964GUW is monitoring V<sub>CM</sub> of CLK+ / CLK-. When TX device starts driving high-speed signaling outputs, BU7964GUW detects its V<sub>CM</sub> and switches to Active Mode. In Standby Mode, All parallel data interface output 'L'.

3) Active Mode

BU7964GUW goes to Active Mode when XSD = 'H' and VCM is running.

Table 9. Power Modes

Power Mode	Input		Operation		
	XSD	V <sub>cm</sub> of CLK+/CLK-	Functions	MSDL3 Terminals	Parallel output
Shutdown	'L'	MSGND	Initialized	Disabled(Pull-down)	Initial value
Standby	'H'	MSGND	MSDL3 V <sub>cm</sub> detection	MSDL3 V <sub>cm</sub> detection (Pull-down)	Initial value
Active	'H'	Clock input is active	MSDL3 V <sub>CM</sub> monitor. Normal operation. (S2P conv)	MSDL3 V <sub>CM</sub> monitor. Enabled.	Normal operation

4) Power Modes Transition

Fig.5.shows the Transition of power modes.

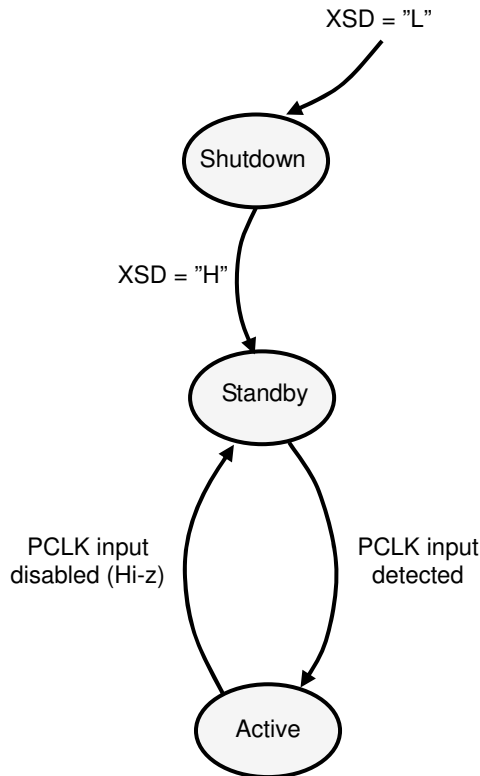


Fig.5. Power Modes Transition

●Link Error Detection

Detection of Parity Error

BU7964GUW counts the number of 'H' bits in PD[26:0] and CP in every pixel information received and detects parity error as follows:

- There is no parity error occurred if the number of 'H' bits in PD[26:0] and CP is odd.
- There is parity error occurred if the number of 'H' bits in PD[26:0] and CP is even.

If parity error is detected, BU7964GUW outputs the previous error-free pixel information and discards the invalid pixel information. At the same time, BU7964GUW toggles CPO during one PCLK period. BU7964GUW outputs initial value, if the parity error is detected when there is no previous pixel information. Otherwise, BU7964GUW outputs the received pixel information from the high-speed data channel(s) and CPO keeps 'L.' Error correction is not supported in BU7964GUW.

●High-Speed Data Channel Protocols

Fig.6 Fig.7 and Fig.8 show high-speed data channel protocols.

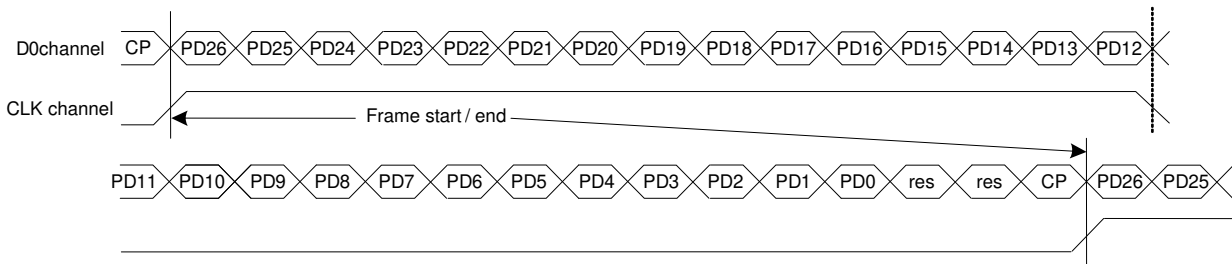


Fig.6. MSDL3 Protocol for 1-channel Data (27-bit)

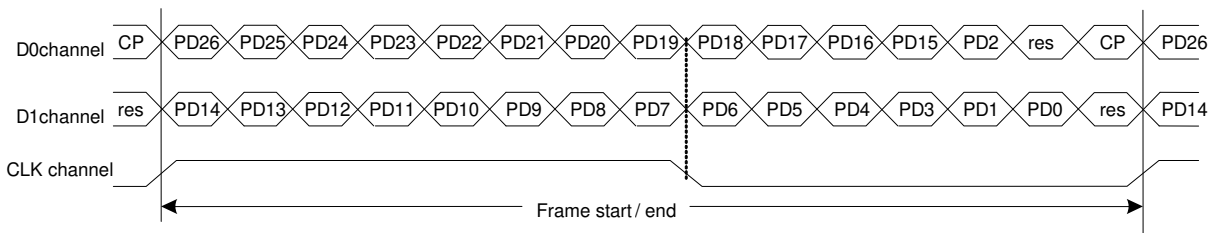


Fig.7. MSDL3 Protocol for 2-channel Data (27-bit)

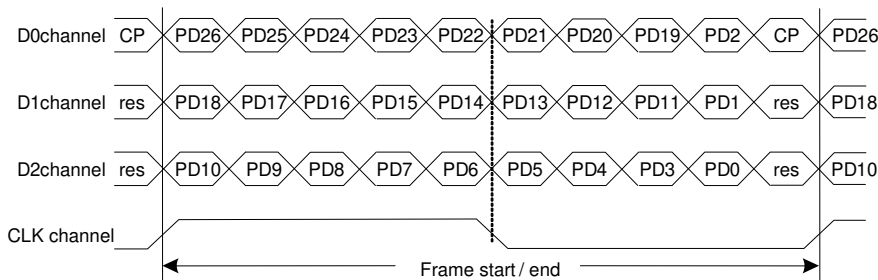


Fig.8. MSDL3 Protocol for 3-channel Data (27-bit)

“res” is reserved bit for the future use, the default state of those is '0.'

CP is the parity bit of data payload.

BU7964GUW adds an odd parity on CP of the high-speed channel data.

- When the number of 'H' bits in parallel data is even, CP bit is 'H.'
- When the number of 'H' bits in parallel data is odd, CP bit is 'L.'

## ● Electrical Characteristics

## 1) DC Characteristics

Table 10. Digital Input / Output DC Characteristics

Ta=25°C, DVDD=MSVDD=1.80V and DGND=MSGND=0.00V, unless otherwise noted.

Parameter	Symbol	Limits			Unit	Conditions
		Min	Typ	Max		
'L' Input Voltage 1	VIL1	DGND	-	0.3 x DVDD	V	XSD, F_XS PLL_BW[1:0], LS[1:0]Pin
'H' Input Voltage 1	VIH1	0.7 x DVDD	-	DVDD	V	XSD, F_XS PLL_BW[1:0], LS[1:0]Pin
Output 'L' Voltage1	VOL1	DGND	-	0.3 x DVDD	V	F_XS='L', IO = 1mA, PCLK, CPO, PD[26:0]Pin
Output 'H' Voltage1	VOH1	0.7 x DVDD	-	DVDD	V	F_XS='L', IO = -1mA, PCLK, CPO, PD[26:0]Pin
Output 'L' Voltage2	VOL2	DGND	-	0.3 x DVDD	V	F_XS='H', IO = 3mA, PCLK, CPO, PD[26:0]Pin
Output 'H' Voltage2	VOH2	0.7 x DVDD	-	DVDD	V	F_XS='H', IO = -3mA, PCLK, CPO, PD[26:0]Pin
Output 'L' Voltage3	VOL3	DGND	-	0.15 x DVDD	V	IO = 100μA, PCLK, CPO, PD[26:0]Pin
Output 'H' Voltage3	VOH3	0.85 x DVDD	-	DVDD	V	IO = -100μA, PCLK, CPO, PD[26:0]Pin

Table 11. Current Consumption

Ta=25°C, DVDD=MSVDD=1.80V and DGND=MSGND=0.00V, unless otherwise noted.

Parameter	Symbol	Limits			Unit	Conditions
		Min	Typ	Max		
Shutdown Current	I <sub>op_sht_rx</sub>	-	0.2	10	μA	XSD = 'L', IDVDD + IMSVDD
Standby Current	I <sub>op_stb_rx</sub>	-	41.8	90	μA	XSD = 'H', IDVDD + IMSVDD
Active Current 1-channel / 27-bit Format	I <sub>op_act_rx1</sub>	-	17.6	24.0	mA	LS[1:0] = "LL", PLL_BW[1:0] = "HL", DVDD = MSVDD, PCLK = 15MHz, XSD = 'H', CL = 10pF, Total operating current (IDVDD + IMSVDD) with PD[26:0] outputs toggling 0x2AAAAAA and 0x5555555
Active Current 2-channel / 27-bit Format	I <sub>op_act_rx2</sub>	-	28.0	36.8	mA	LS[1:0] = "LH", PLL_BW[1:0] = "HL", DVDD = MSVDD, PCLK = 30MHz, XSD = 'H', CL = 10pF, Total operating current (IDVDD + IMSVDD) with PD[26:0] outputs toggling 0x2AAAAAA and 0x5555555
Active Current 3-channel / 27-bit Format	I <sub>op_act_rx3</sub>	-	36.0	48.6	mA	LS[1:0] = "HL", PLL_BW[1:0] = "HL", DVDD = MSVDD, PCLK = 45MHz, XSD = 'H', CL = 10pF, Total operating current (IDVDD + IMSVDD) with PD[26:0] outputs toggling 0x2AAAAAA and 0x5555555

2) AC Characteristics

Parallel Data Output Timing

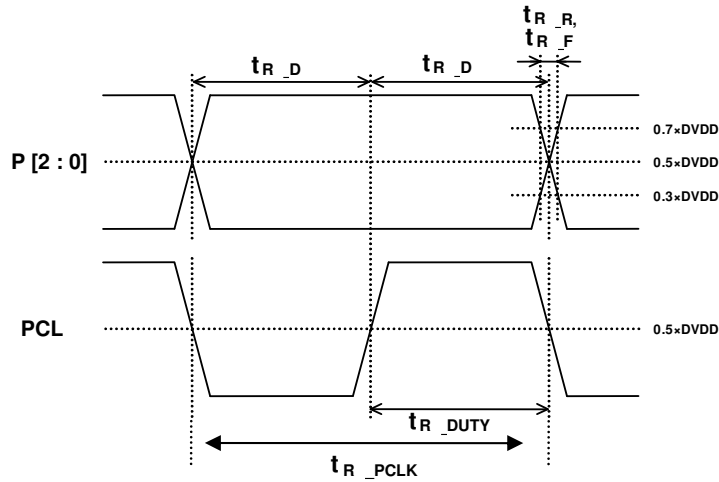


Fig.9. Parallel Data Output Timing

Table 12. Parallel Data Output AC Timing

Ta=25°C, DVDD=MSVDD=1.80V and DGND=MSGND=0.00V, unless otherwise noted.

Parameter	Symbol	Limits			Unit	Conditions
		Min	Typ	Max		
PCLK Output Duty Cycle	t <sub>RX_DUTY</sub>	45	50	55	%	CL=10pF
Output Data Setup Time	t <sub>RX_DS</sub>	0.41X t <sub>RX_PCLK</sub>	-	-	ns	CL=10pF
Output Data Hold Time	t <sub>RX_DH</sub>	0.41X t <sub>RX_PCLK</sub>	-	-	ns	CL=10pF
Output Data Rise Time/Fall time	t <sub>RX_R</sub>	-	9	-	ns	F_XS=0, CL=10pF
	t <sub>RX_F</sub>	-	3	-	ns	F_XS=1, CL=10pF

3) Power-On / Off Sequence

Power-On Sequence

Fig.10 shows power-on sequence of BU7964GUW.

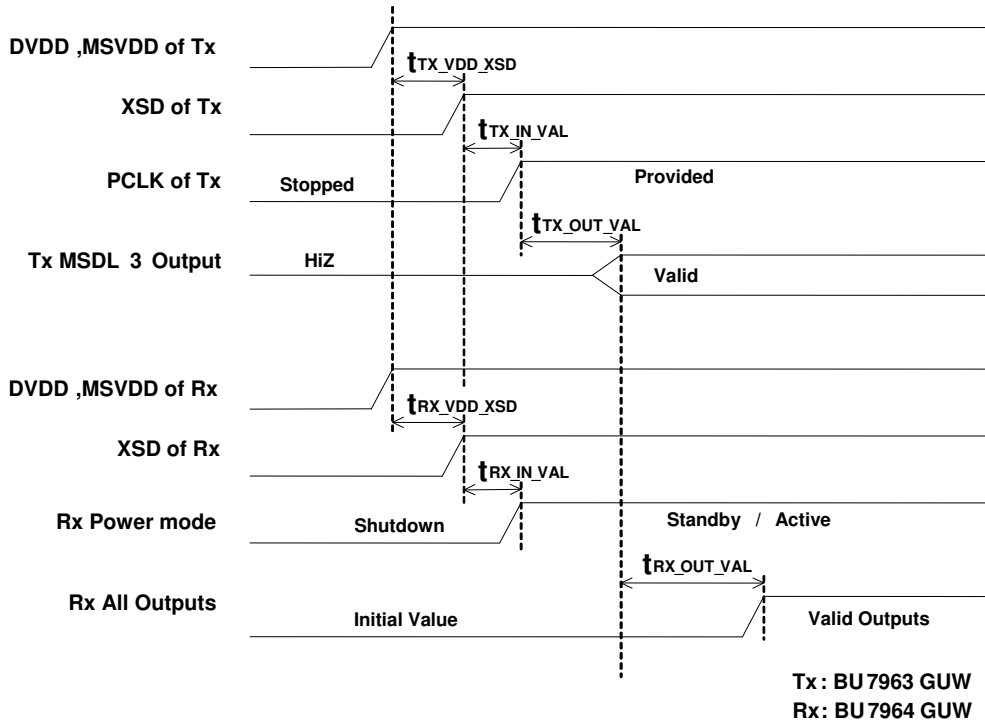


Fig.10. Power-On Sequence

Table 13. Power-On Sequence Timing

Ta=25°C, DVDD=MSVDD=1.80V and DGND=MSGND=0.00V, unless otherwise noted.

Parameter	Symbol	Limits			Unit	Conditions
		Min	Typ	Max		
Reset Valid After Power Supplied	t <sub>RX_VDD_XSD</sub>	10	-	-	μs	
PCLK Valid After XSD Released	t <sub>RX_IN_VAL</sub>	-	-	10	μs	
Parallel Data Valid After TX High-Speed Signals Valid	t <sub>RX_OUT_VAL</sub>	-	-	2	ms	

Power-Off Sequence

Fig.11 shows the power-off sequence of BU7964GUW.

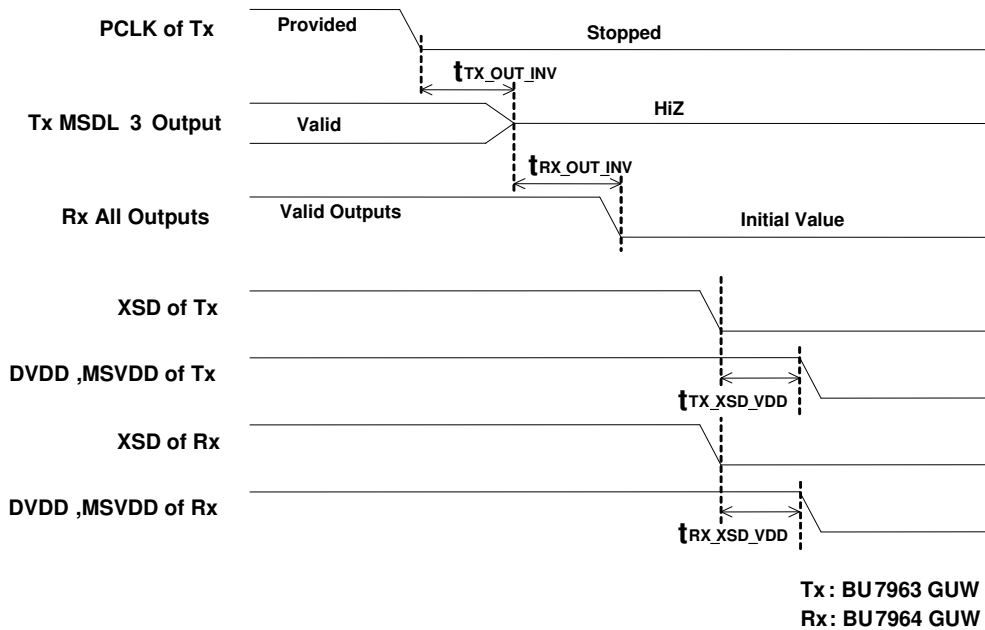


Fig.11. Power-Off Sequence Timing

Table 14. Power-Off Sequence Timing

Ta=25°C, DVDD=MSVDD=1.80V, DGND=MSGND=0.00V, unless otherwise noted.

Parameter	Symbol	Limits			Unit	Conditions
		Min	Typ	Max		
Parallel output delay time	t <sub>RX_OUT_INV</sub>	-	-	100	μs	
XSD hold time	t <sub>RX_XSD_VDD</sub>	10	-	-	μs	

●Frequency Change Sequence

Fig.12 shows the frequency change sequence of BU7964GUW.

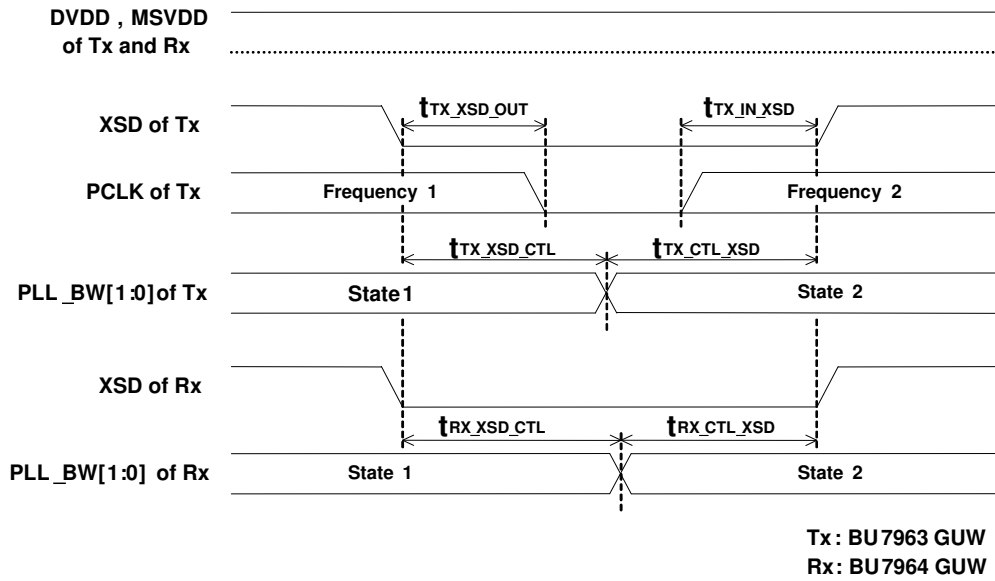


Fig.12. Frequency Change Sequence

Table 15. Frequency Change Sequence Timing

Ta=25°C, DVDD=MSVDD=1.80V and DGND=MSGND=0.00V, unless otherwise noted.

Parameter	Symbol	Limits			Unit	Conditions
		Min	Typ	Max		
Control Signal Hold Time	t <sub>RX_XSD_CTL</sub>	2.0	-	-	μs	
Control Signal Setup Time	t <sub>RX_CTL_XSD</sub>	2.0	-	-	μs	

●High-Speed Channel Characteristic

Table 16. High-speed channel characteristic

Ta=25°C, DVDD=MSVDD=1.80V and DGND=MSGND=0.00V, unless otherwise noted.

Parameter	Symbol	Limits			Unit	Conditions
		Min	Typ	Max		
Differential Voltage Range	$V_{diff\_rx}$	70	100	200	mVpp	
LOW-level threshold voltage	$V_{thl}$	-40	-	-	mV	
HIGH-level threshold voltage	$V_{thh}$	-	-	40	mV	
Common Mode Voltage Range	$V_{cm\_rx}$	0.6	0.9	1.2	V	
Internal termination resistance	$R_{rx}$	75	100	125	$\Omega$	
Operating Frequency	$f_{opr\_rx}$	-	-	225	MHz	
RX sink current	$I_{PULL\_RX}$	12	30	90	$\mu A$	
Link detection threshold voltage	$V_{LINK\_RX}$	0.2	0.3	0.4	V	

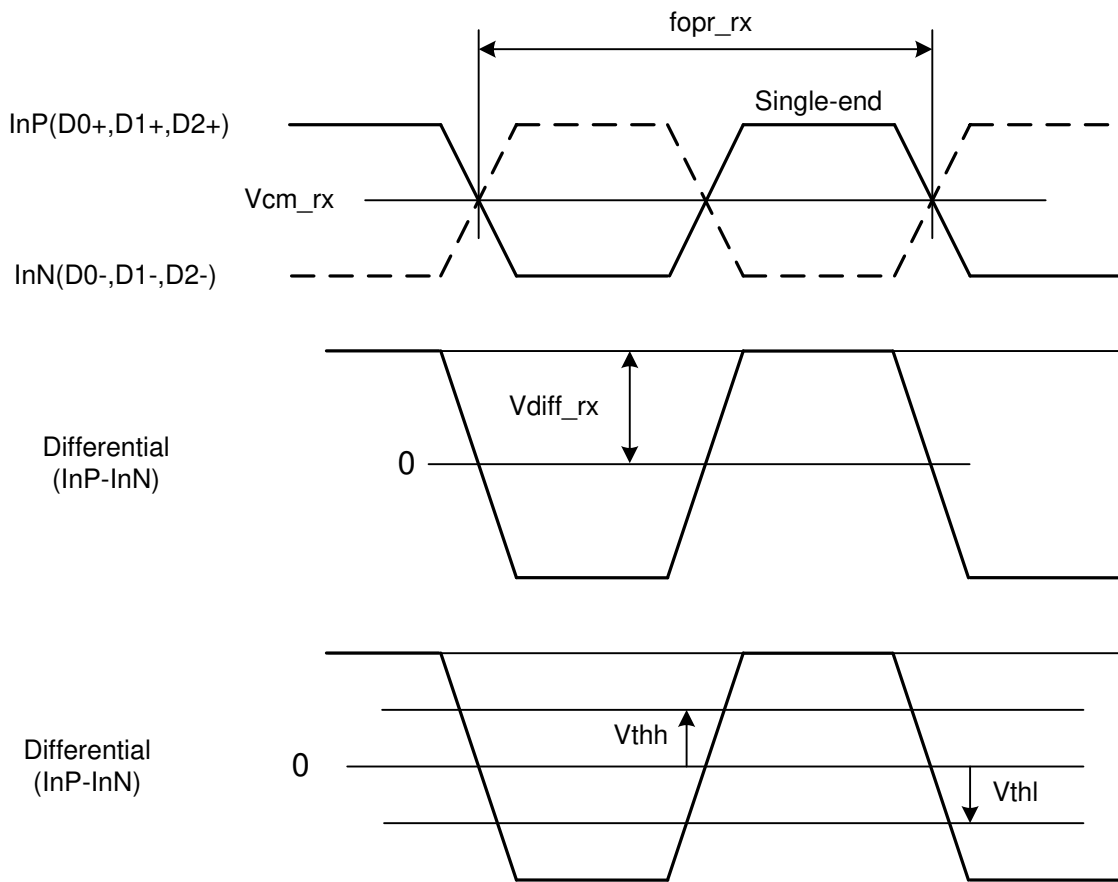


Fig.13. High-Speed Channel Characteristic

Fig.14 shows high-speed channel equivalent schematic.



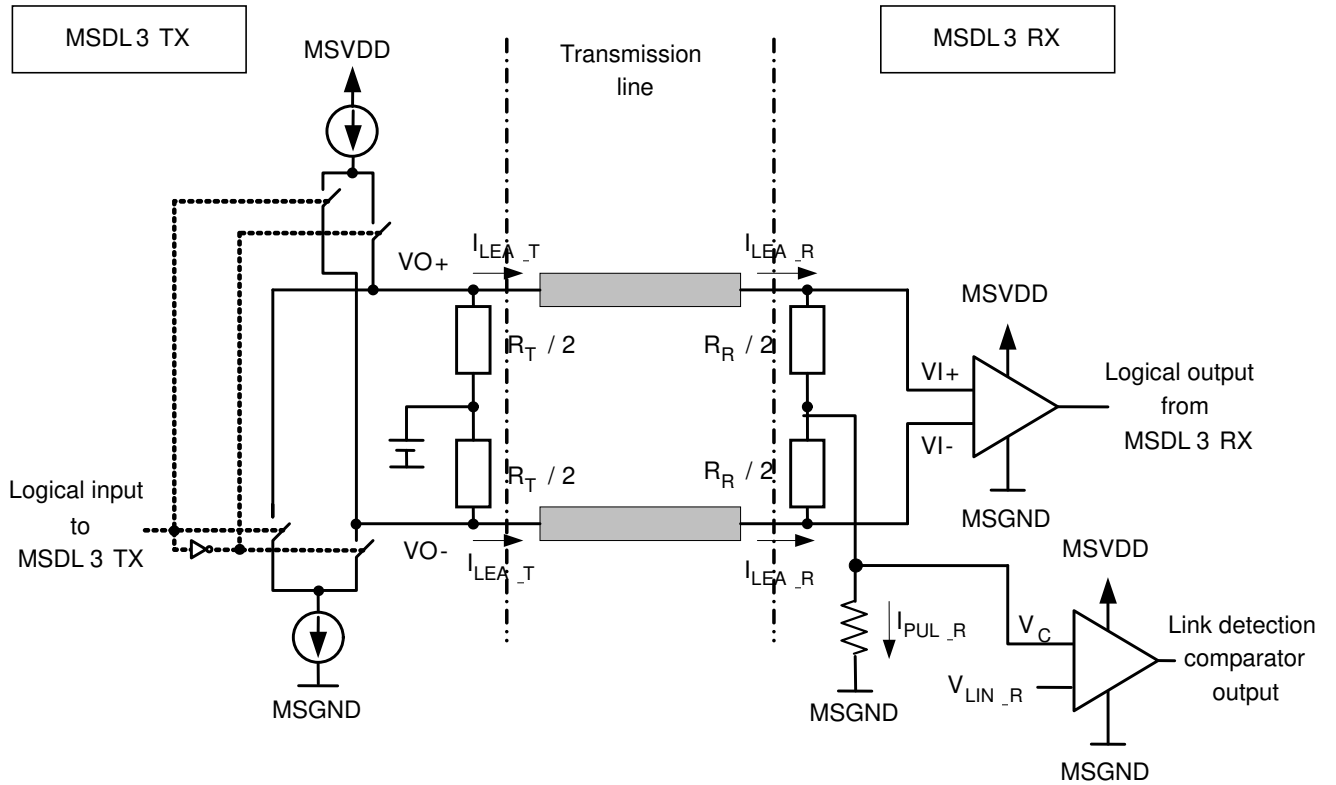


Fig.14. High-Speed Channel Equivalent Schematic.

● Application Circuit Example

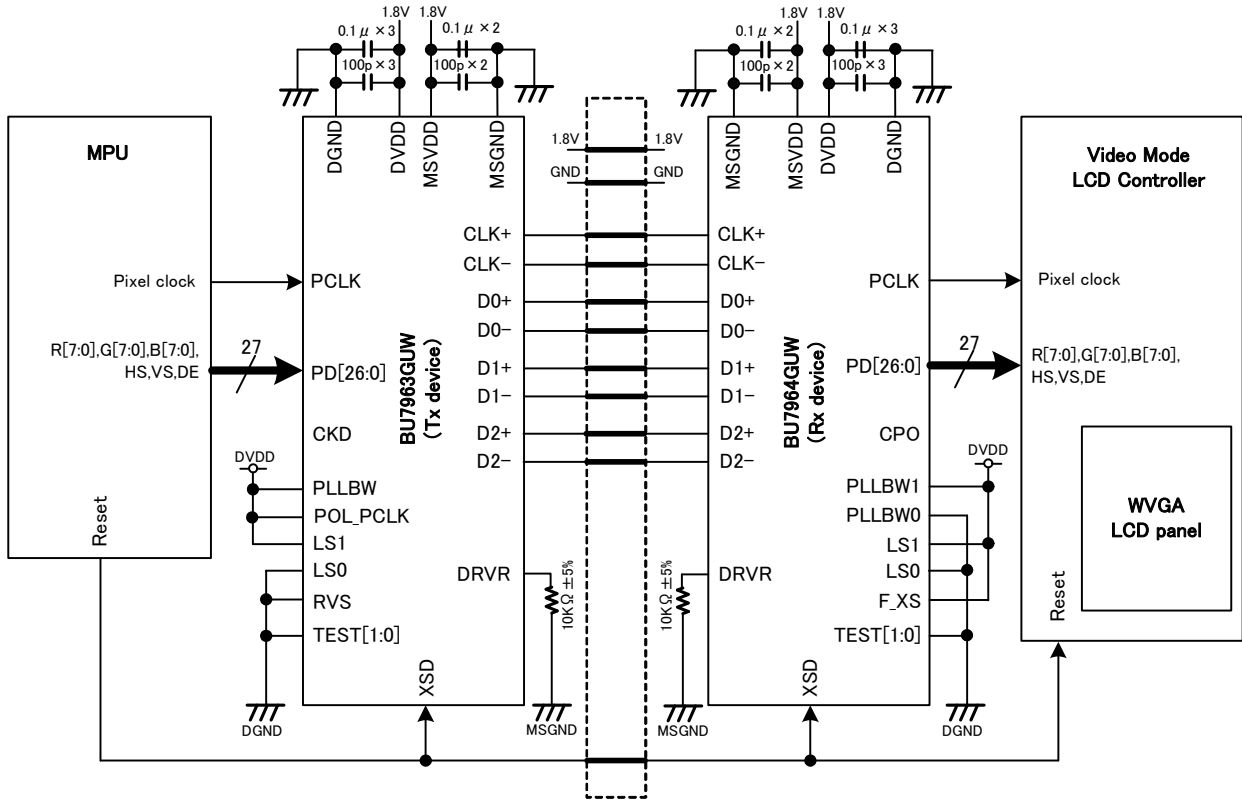


Fig.15. Application Circuit

●Ordering Part Number

B	U
---	---

Part No.

7	9	6	4
---	---	---	---

Part No.

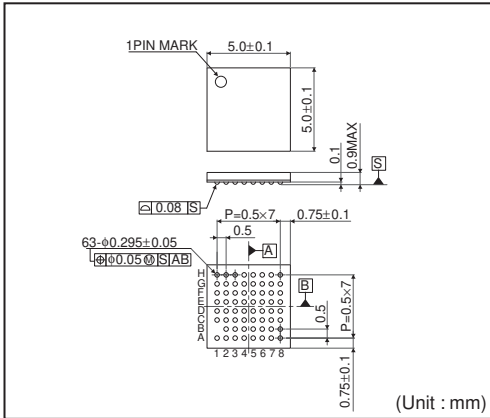
G	U	W
---	---	---

Package  
GUW: VBGA063W050

-	E	2
---	---	---

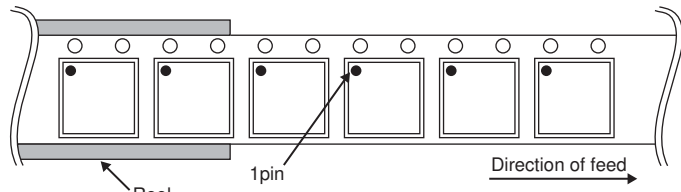
Packaging and forming specification  
E2: Embossed tape and reel

VBGA063W050



<Tape and Reel information>

Tape	Embossed carrier tape (with dry pack)
Quantity	2500pcs
Direction of feed	E2 ( The direction is the 1pin of product is at the upper left when you hold reel on the left hand and you pull out the tape on the right hand )



\*Order quantity needs to be multiple of the minimum quantity.

# Notice

## Precaution on using ROHM Products

- Our Products are designed and manufactured for application in ordinary electronic equipments (such as AV equipment, OA equipment, telecommunication equipment, home electronic appliances, amusement equipment, etc.). If you intend to use our Products in devices requiring extremely high reliability (such as medical equipment <sup>(Note 1)</sup>, transport equipment, traffic equipment, aircraft/spacecraft, nuclear power controllers, fuel controllers, car equipment including car accessories, safety devices, etc.) and whose malfunction or failure may cause loss of human life, bodily injury or serious damage to property ("Specific Applications"), please consult with the ROHM sales representative in advance. Unless otherwise agreed in writing by ROHM in advance, ROHM shall not be in any way responsible or liable for any damages, expenses or losses incurred by you or third parties arising from the use of any ROHM's Products for Specific Applications.

(Note1) Medical Equipment Classification of the Specific Applications

JAPAN	USA	EU	CHINA
CLASS III	CLASS III	CLASS II b	CLASS III
CLASS IV		CLASS III	

- ROHM designs and manufactures its Products subject to strict quality control system. However, semiconductor products can fail or malfunction at a certain rate. Please be sure to implement, at your own responsibilities, adequate safety measures including but not limited to fail-safe design against the physical injury, damage to any property, which a failure or malfunction of our Products may cause. The following are examples of safety measures:
  - Installation of protection circuits or other protective devices to improve system safety
  - Installation of redundant circuits to reduce the impact of single or multiple circuit failure
- Our Products are designed and manufactured for use under standard conditions and not under any special or extraordinary environments or conditions, as exemplified below. Accordingly, ROHM shall not be in any way responsible or liable for any damages, expenses or losses arising from the use of any ROHM's Products under any special or extraordinary environments or conditions. If you intend to use our Products under any special or extraordinary environments or conditions (as exemplified below), your independent verification and confirmation of product performance, reliability, etc. prior to use, must be necessary:
  - Use of our Products in any types of liquid, including water, oils, chemicals, and organic solvents
  - Use of our Products outdoors or in places where the Products are exposed to direct sunlight or dust
  - Use of our Products in places where the Products are exposed to sea wind or corrosive gases, including Cl<sub>2</sub>, H<sub>2</sub>S, NH<sub>3</sub>, SO<sub>2</sub>, and NO<sub>2</sub>
  - Use of our Products in places where the Products are exposed to static electricity or electromagnetic waves
  - Use of our Products in proximity to heat-producing components, plastic cords, or other flammable items
  - Sealing or coating our Products with resin or other coating materials
  - Use of our Products without cleaning residue of flux (even if you use no-clean type fluxes, cleaning residue of flux is recommended); or Washing our Products by using water or water-soluble cleaning agents for cleaning residue after soldering
  - Use of the Products in places subject to dew condensation
- The Products are not subject to radiation-proof design.
- Please verify and confirm characteristics of the final or mounted products in using the Products.
- In particular, if a transient load (a large amount of load applied in a short period of time, such as pulse. is applied, confirmation of performance characteristics after on-board mounting is strongly recommended. Avoid applying power exceeding normal rated power; exceeding the power rating under steady-state loading condition may negatively affect product performance and reliability.
- De-rate Power Dissipation (Pd) depending on Ambient temperature (Ta). When used in sealed area, confirm the actual ambient temperature.
- Confirm that operation temperature is within the specified range described in the product specification.
- ROHM shall not be in any way responsible or liable for failure induced under deviant condition from what is defined in this document.

## Precaution for Mounting / Circuit board design

- When a highly active halogenous (chlorine, bromine, etc.) flux is used, the residue of flux may negatively affect product performance and reliability.
- In principle, the reflow soldering method must be used; if flow soldering method is preferred, please consult with the ROHM representative in advance.

For details, please refer to ROHM Mounting specification

**Precautions Regarding Application Examples and External Circuits**

1. If change is made to the constant of an external circuit, please allow a sufficient margin considering variations of the characteristics of the Products and external components, including transient characteristics, as well as static characteristics.
2. You agree that application notes, reference designs, and associated data and information contained in this document are presented only as guidance for Products use. Therefore, in case you use such information, you are solely responsible for it and you must exercise your own independent verification and judgment in the use of such information contained in this document. ROHM shall not be in any way responsible or liable for any damages, expenses or losses incurred by you or third parties arising from the use of such information.

**Precaution for Electrostatic**

This Product is electrostatic sensitive product, which may be damaged due to electrostatic discharge. Please take proper caution in your manufacturing process and storage so that voltage exceeding the Products maximum rating will not be applied to Products. Please take special care under dry condition (e.g. Grounding of human body / equipment / solder iron, isolation from charged objects, setting of ionizer, friction prevention and temperature / humidity control).

**Precaution for Storage / Transportation**

1. Product performance and soldered connections may deteriorate if the Products are stored in the places where:
  - [a] the Products are exposed to sea winds or corrosive gases, including Cl<sub>2</sub>, H<sub>2</sub>S, NH<sub>3</sub>, SO<sub>2</sub>, and NO<sub>2</sub>
  - [b] the temperature or humidity exceeds those recommended by ROHM
  - [c] the Products are exposed to direct sunshine or condensation
  - [d] the Products are exposed to high Electrostatic
2. Even under ROHM recommended storage condition, solderability of products out of recommended storage time period may be degraded. It is strongly recommended to confirm solderability before using Products of which storage time is exceeding the recommended storage time period.
3. Store / transport cartons in the correct direction, which is indicated on a carton with a symbol. Otherwise bent leads may occur due to excessive stress applied when dropping of a carton.
4. Use Products within the specified time after opening a humidity barrier bag. Baking is required before using Products of which storage time is exceeding the recommended storage time period.

**Precaution for Product Label**

QR code printed on ROHM Products label is for ROHM's internal use only.

**Precaution for Disposition**

When disposing Products please dispose them properly using an authorized industry waste company.

**Precaution for Foreign Exchange and Foreign Trade act**

Since our Products might fall under controlled goods prescribed by the applicable foreign exchange and foreign trade act, please consult with ROHM representative in case of export.

**Precaution Regarding Intellectual Property Rights**

1. All information and data including but not limited to application example contained in this document is for reference only. ROHM does not warrant that foregoing information or data will not infringe any intellectual property rights or any other rights of any third party regarding such information or data. ROHM shall not be in any way responsible or liable for infringement of any intellectual property rights or other damages arising from use of such information or data.:
2. No license, expressly or implied, is granted hereby under any intellectual property rights or other rights of ROHM or any third parties with respect to the information contained in this document.

**Other Precaution**

1. This document may not be reprinted or reproduced, in whole or in part, without prior written consent of ROHM.
2. The Products may not be disassembled, converted, modified, reproduced or otherwise changed without prior written consent of ROHM.
3. In no event shall you use in any way whatsoever the Products and the related technical information contained in the Products or this document for any military purposes, including but not limited to, the development of mass-destruction weapons.
4. The proper names of companies or products described in this document are trademarks or registered trademarks of ROHM, its affiliated companies or third parties.

**General Precaution**

1. Before you use our Products, you are requested to carefully read this document and fully understand its contents. ROHM shall not be in any way responsible or liable for failure, malfunction or accident arising from the use of any ROHM's Products against warning, caution or note contained in this document.
2. All information contained in this document is current as of the issuing date and subject to change without any prior notice. Before purchasing or using ROHM's Products, please confirm the latest information with a ROHM sales representative.
3. The information contained in this document is provided on an "as is" basis and ROHM does not warrant that all information contained in this document is accurate and/or error-free. ROHM shall not be in any way responsible or liable for any damages, expenses or losses incurred by you or third parties resulting from inaccuracy or errors of or concerning such information.