



Chipsmall Limited consists of a professional team with an average of over 10 year of expertise in the distribution of electronic components. Based in Hongkong, we have already established firm and mutual-benefit business relationships with customers from,Europe,America and south Asia,supplying obsolete and hard-to-find components to meet their specific needs.

With the principle of "Quality Parts,Customers Priority,Honest Operation,and Considerate Service",our business mainly focus on the distribution of electronic components. Line cards we deal with include Microchip,ALPS,ROHM,Xilinx,Pulse,ON,Everlight and Freescale. Main products comprise IC,Modules,Potentiometer,IC Socket,Relay,Connector.Our parts cover such applications as commercial,industrial, and automotives areas.

We are looking forward to setting up business relationship with you and hope to provide you with the best service and solution. Let us make a better world for our industry!



Contact us

Tel: +86-755-8981 8866 Fax: +86-755-8427 6832

Email & Skype: info@chipsmall.com Web: www.chipsmall.com

Address: A1208, Overseas Decoration Building, #122 Zhenhua RD., Futian, Shenzhen, China



LVDS Interface ICs

35bit LVDS Receiver 5:35 DeSerializer

BU8255KVT

**●Description**

LVDS Interface IC of ROHM "Serializer" "Deserializer" operate from 8MHz to 150MHz wide clock range, and number of bits range is from 35 to 70. Data is transmitted seven times (7X) stream and reduce cable number by 3(1/3) or less. The ROHM's LVDS has low swing mode to be able to expect further low EMI.

●Features

- Five channels of LVDS data stream are converted to 35bits data of parallel LVCMOS level outputs.
- 30bits of RGB output data, 5bits of timing and control output data(HSYNC, VSYNC, DE, CTL1 and CTL2) are transmitted available.
- Support clock frequency from 8MHz up to 112MHz.
- Support consumer video format including 480i, 480P, 720P and 1080i as well.
- Support many kinds of PC video formats such as VGA, SVGA, XGA and SXGA.
- Provide 784Mbps per 1ch or 3.92Gbps per device throughput rate using 112MHz clock rate.
- User programmable LVCMOS data output triggering timing by using either rising or falling edge of clock.
- 30bit LVDS transmitter is recommended to use BU8254KVT.

●Applications

Flat Panel Display

◇Precaution

- This chip is not designed to protect from radioactivity.
- The chip is made strictly for the specific application or equipment.
Then it is necessary that the unit is measured as need.
- This document may be used as strategic technical data which subjects to COCOM regulations.

Status of this document

The Japanese version of this document is the formal specification.
A customer may use this translation version only for a reference to help reading the formal version.
If there are any differences in translation version of this document, formal version takes priority.

● Block Diagram

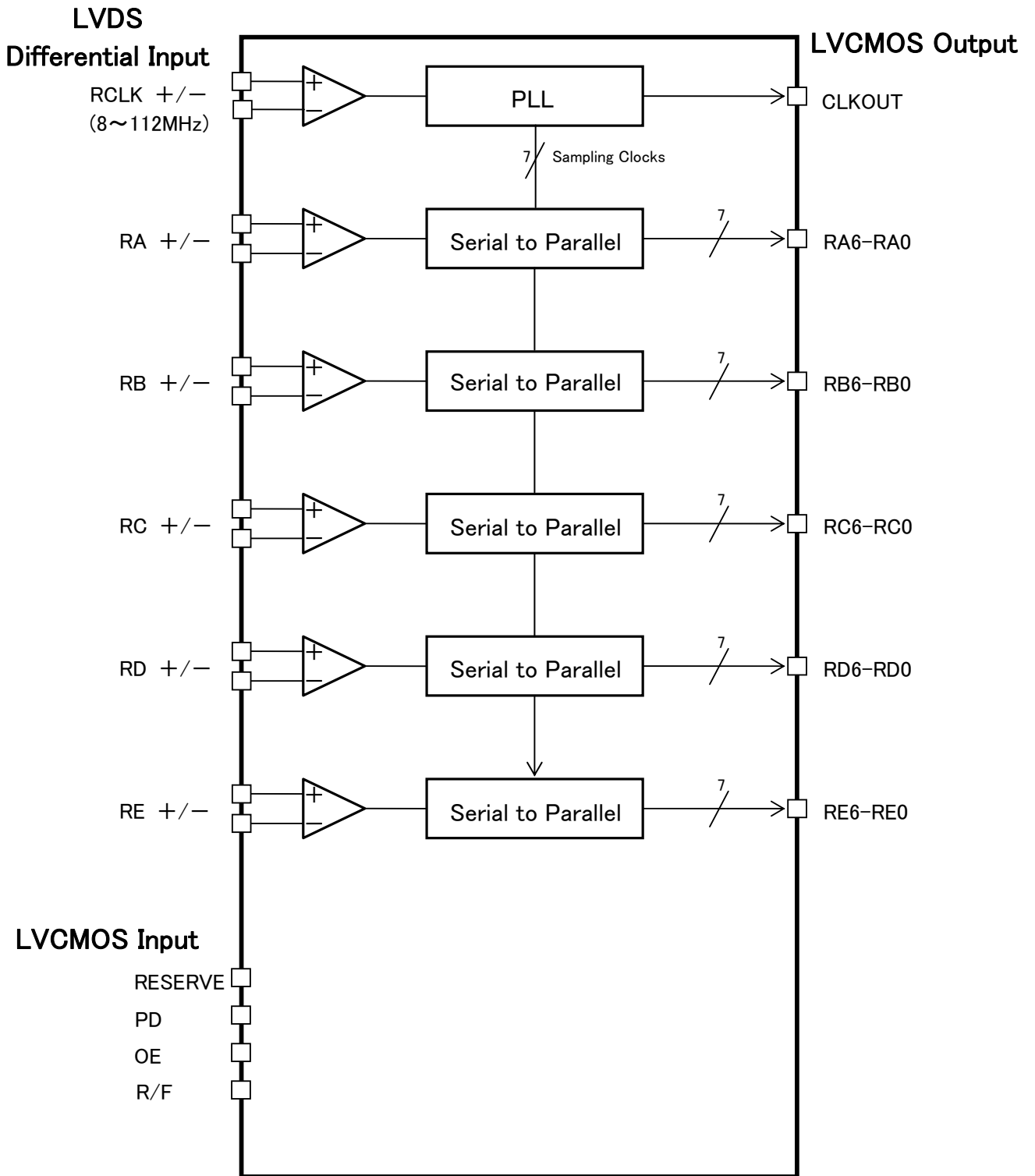
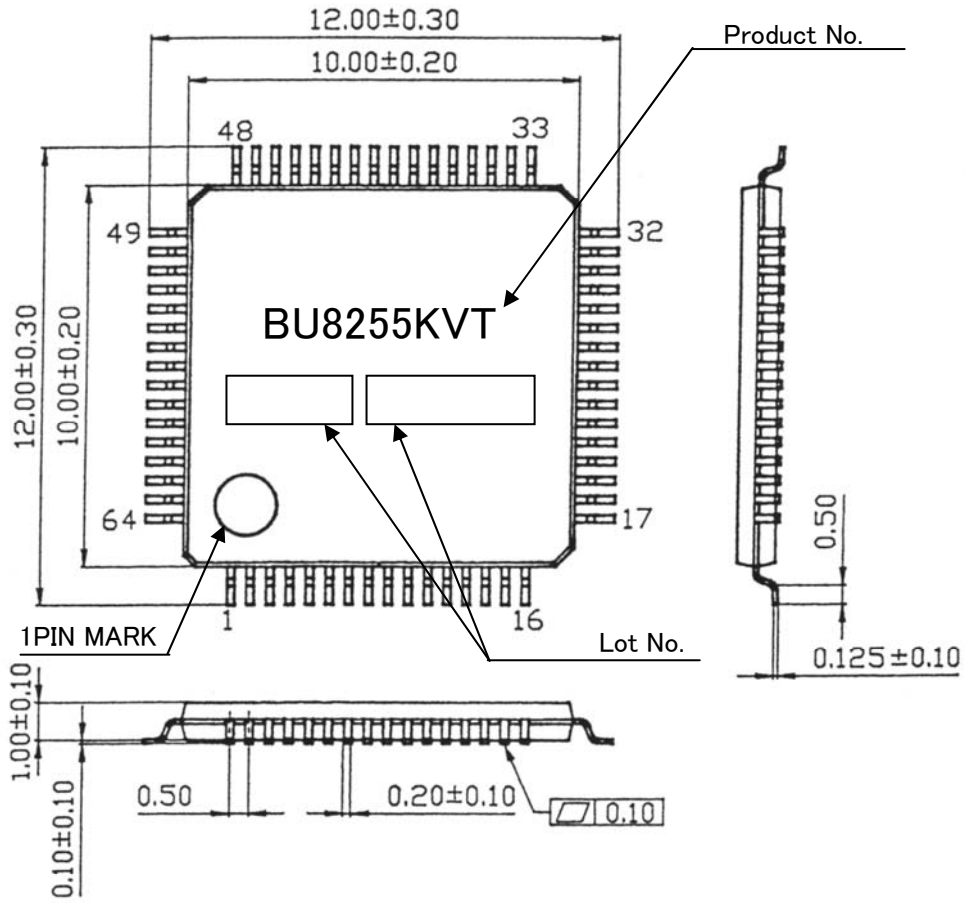


Figure-1 Block Diagram

● TQFP64V Package Specification



(UNIT: mm)

Figure-2 TQFP64V Package

● Pin Diagram

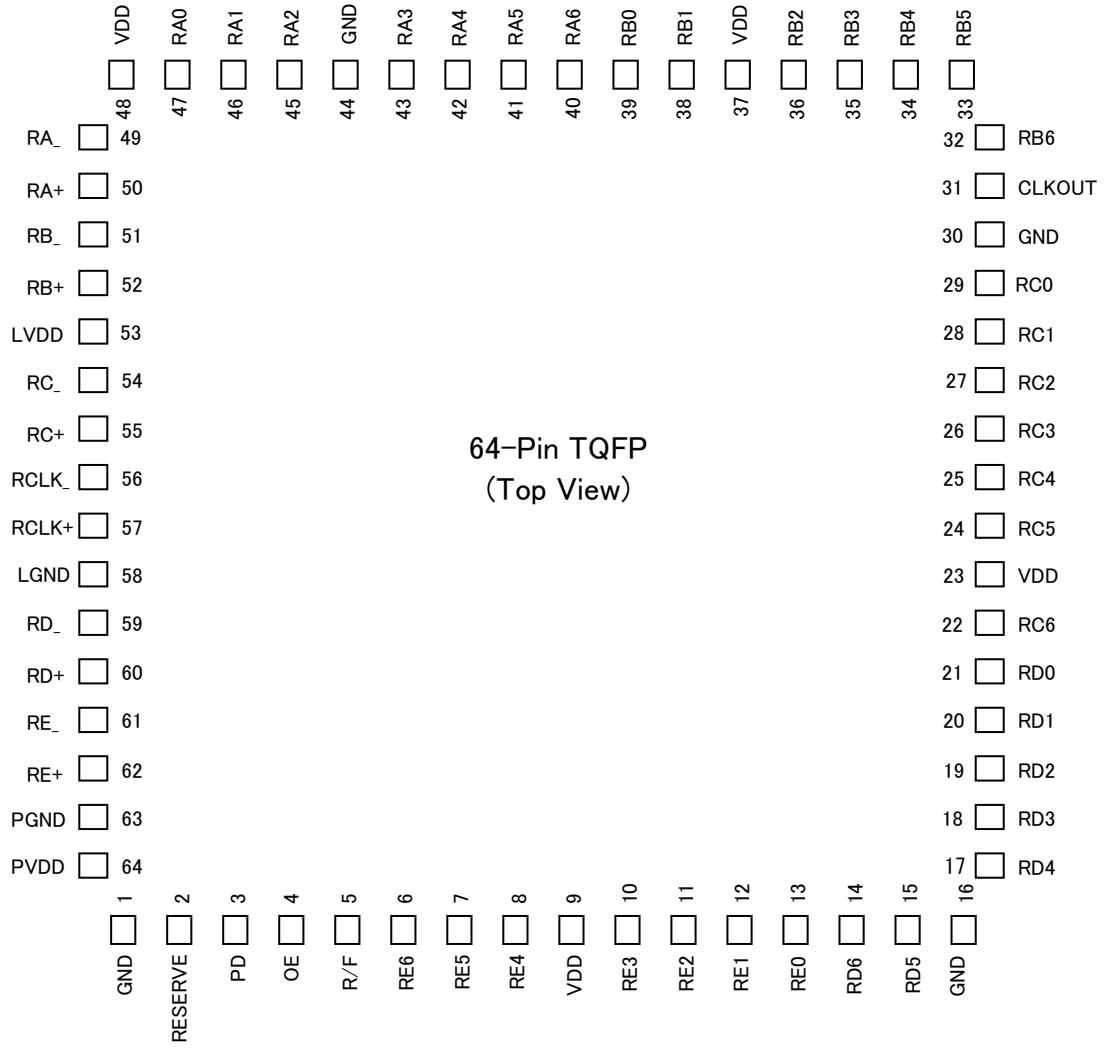


Figure-3 Pin diagram (Top view)

● Pin Description

Table .1: Pin description

Pin Name	Pin No.	I/O	Description
RA+, RA-	50,49	LVDS Input	LVDS data input + : Positive input of LVDS data differential pair. - : Negative input of LVDS data differential pair.
RB+, RB-	52,51	LVDS Input	
RC+, RC-	55,54	LVDS Input	
RD+, RD-	60,59	LVDS Input	
RE+, RE-	62,61	LVDS Input	
RCLK+, RCLK-	57,56	LVDS Input	LVDS clock input
RA6~RA0	40,41,42,43, 45,46,47	Output	LVCMOS data outputs.
RB6~RB0	32,33,34,35, 36,38,39	Output	
RC6~RC0	22,24,25,26, 27,28,29	Output	
RD6~RD0	14,15,17,18, 19,20,21	Output	
RE6~RE0	6,7,8,10,11,1 2,13	Output	
RESERVE	2	Input	Reserved input, must be "Low" for normal operation.
PD	3	Input	Power down input for the internal system. H: Normal operation. L: Power down (All output are "Low").
OE	4	Input	Power down input for the data output driver. H: Output enable (Normal operation). L: Output disable(All outputs are "Hi-Z").
R/F	5	Input	Select input pin for data output clock triggering edge. H: Output data is latched on rising edge. L: Output data is latched on falling edge.
VDD	9,23,37,48	Power	3.3V output driver and digital core power supply pin.
CLKOUT	31	Output	LVCMOS level clock output.
GND	1,16,30,44	Ground	GND pin for both data output driver cells and the digital cores.
LVDD	53	Power	Power supply pin for LVDS inputs.
LGND	58	Ground	Ground pin for LVDS inputs.
PVDD	64	Power	Power supply pin for PLL core.
PGND	63	Ground	Ground pin for PLL core.

●Function Description

Table .2: Function explanation list

PD	R/F	OE	Data output (Rxn) *1	Clock output
0	0	0	Hi-Z	Hi-Z
0	0	1	All fixed low	Fixed Low
0	1	0	Hi-Z	Hi-Z
0	1	1	All fixed low	Fixed Low
1	0	0	Hi-Z	Hi-Z
1	0	1	Data output	Output data is latched by falling edge of clock.
1	1	0	Hi-Z	Hi-Z
1	1	1	Data output	Output data is latched by rising edge of clock

*1 : Rxn

x = A,B,C,D,E

n = 0,1,2,3,4,5,6

● Electrical Characteristics

■ Rating

Table .3: Absolute maximum rating

Item	Symbol	Value		Unit
		Min.	Max.	
Supply voltage	V_{DD}	-0.3	4.0	V
Input voltage	V_{IN}	-0.3	$V_{DD}+0.3$	V
Output voltage	V_{OUT}	-0.3	$V_{DD}+0.3$	V
Storage temperature range	T_{stg}	-55	125	°C

Table .4: Package power

Package	PD(mW)	DERATING(mW/°C) *1
TQFP64V	700	7.0
	1000*2	10.0*2

*1 At temperature $T_a > 25^{\circ}\text{C}$

*2 Package power when mounting on the PCB board.

The size of PCB board : $70 \times 70 \times 1.6$ (mm³)

The material of PCB board : The FR4 glass epoxy board.(3% or less copper foil area)

Table .5: Recommended operating conditions

Item	Symbol	Value			Unit	Condition
		Min.	Typ.	Max.		
Supply voltage	V_{DD}	3.0	3.3	3.6	V	VDD, LVDD, PVDD
Supply Noise Voltage	V_{NOZ}	-	-	0.1	V	
Operating temperature range	T_{opr}	-20	-	85	°C	Clock frequency from 8MHz up to 90MHz
		0	-	70	°C	Clock frequency from 90MHz up to 112MHz

■ DC Characteristics

Table .6: LVCMOS DC character ($V_{DD}=3.0V\sim 3.6V$, $T_a=-20^{\circ}C\sim 85^{\circ}C$)

Symbol	Item	Value			Unit	Condition
		Min.	Typ.	Max.		
V_{IH}	High Input voltage	$V_{DD} \times 0.8$	-	V_{DD}	V	
V_{IL}	Low Input voltage	0.0	-	$V_{DD} \times 0.2$	V	
V_{OH}	High Output voltage	$V_{DD}-0.5$	-	V_{DD}	V	$I_{OH}=-4mA$ (data) $I_{OH}=-8mA$ (clock)
V_{OL}	Low Output voltage	0.0	-	0.4	V	$I_{OL}=4mA$ (data) $I_{OL}=8mA$ (clock)
I_{INC}	Input current	-	-	± 10	μA	$0V \leq V_{IN} \leq V_{DD}$

Table .7: LVDS Receiver DC character ($V_{DD}=3.0V\sim 3.6V$, $T_a=-20^{\circ}C\sim 85^{\circ}C$)

Symbol	Item	Value			Unit	Condition
		Min.	Typ.	Max.		
V_{TH}	Differential input High threshold	-	-	100	mV	$V_{OC}^{*1}=1.2V$
V_{TL}	Differential input Low threshold	-100	-	-	mV	$V_{OC}^{*1}=1.2V$
I_{INL}	Input current	-	-	± 25	μA	$V_{IN}=2.4V / 0V$ $V_{DD}=3.6V$

*1Common Mode Voltage

■ Supply Current

Table .8: Supply current

Symbol	Item	Value		Unit	Condition	
		Min.	Max.			
I_{RCCG}	Receiver supply current (Gray Scale Pattern)	52	-	mA	$f_{CLKOUT}=90MHz$	$C_L=8pF,$ $V_{DD}=3.3V$
I_{RCCW}	Receiver supply current (Worst Case Pattern)	95	-	mA	$f_{CLKOUT}=90MHz$	$C_L=8pF,$ $V_{DD}=3.3V$
I_{RCCS}	Receiver power down supply current	-	10	μA	PD=L, OE=L	

Gray Scale Pattern

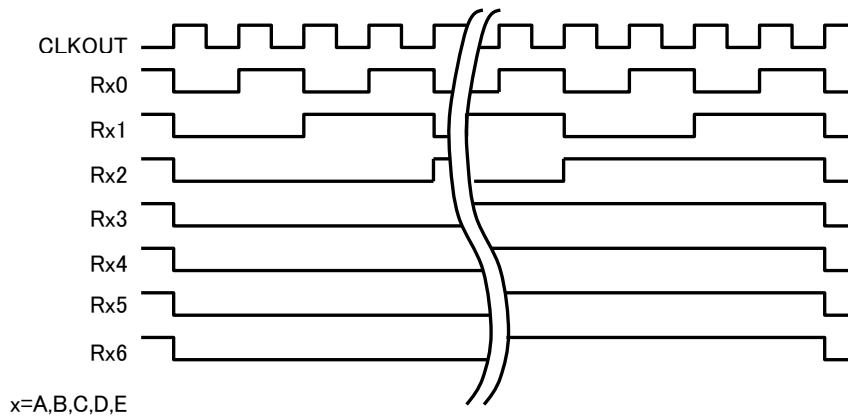


Figure-4 Gray Scale Pattern

Worst Case Pattern (Maximum power condition)

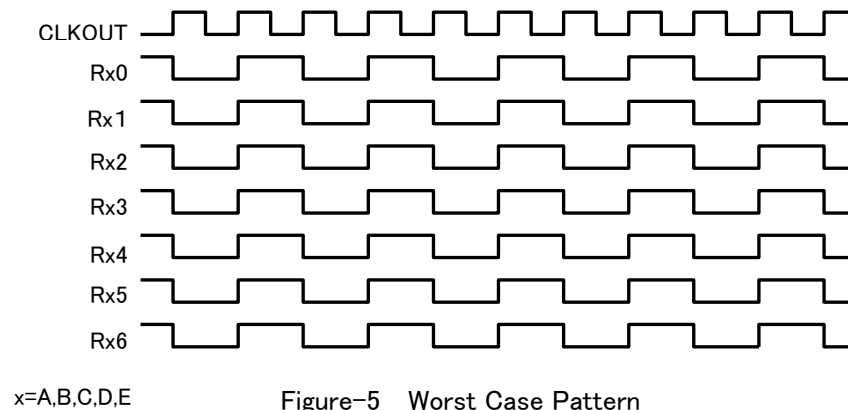


Figure-5 Worst Case Pattern

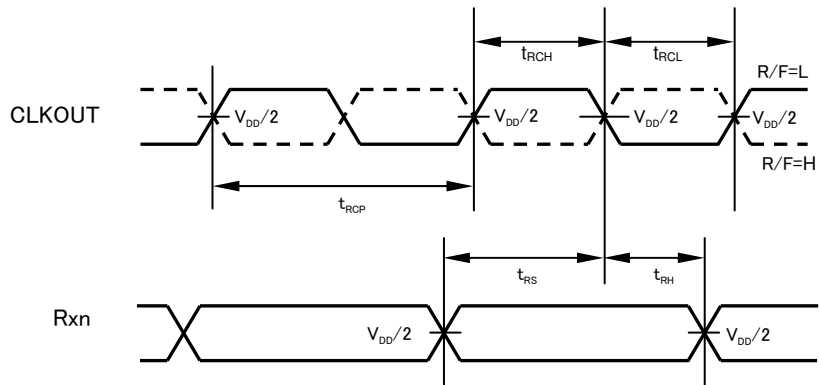
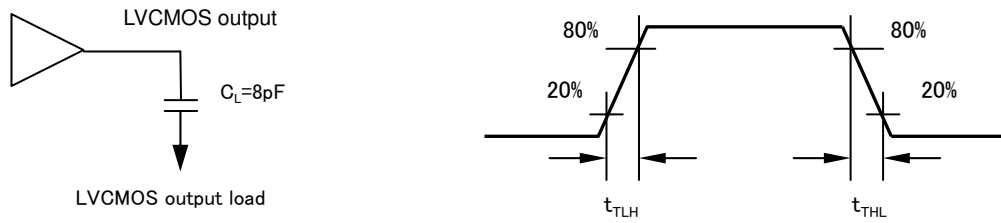
■ AC Characteristics

Table .9 : Switching characteristics

Symbol	Item	Value			Unit
		Min.	Typ.	Max.	
t_{RCP}	CLKOUT period	8.93	–	125	ns
t_{RCH}	CLKOUT "H" time	–	$0.5t_{RCP}-1.0$	–	ns
t_{RCL}	CLKOUT "L" time	–	$0.5t_{RCP}-1.0$	–	ns
t_{RS}	LVC MOS data setup to CLKOUT	$0.5t_{RCP}-1.4$	–	–	ns
t_{RH}	LVC MOS data hold from CLKOUT	$0.23t_{RCP}-1.0$	–	–	ns
t_{TLH}	LVC MOS data rise time	–	1.0	2.0	ns
t_{THL}	LVC MOS data fall time	–	1.0	2.0	ns
t_{RIP1}	Input data position0	–0.25	0.0	+0.25	ns
t_{RIP0}	Input data position1	$\frac{t_{RCIP}}{7}-0.25$	$\frac{t_{RCIP}}{7}$	$\frac{t_{RCIP}}{7}+0.25$	ns
t_{RIP6}	Input data position2	$2\frac{t_{RCIP}}{7}-0.25$	$2\frac{t_{RCIP}}{7}$	$2\frac{t_{RCIP}}{7}+0.25$	ns
t_{RIP5}	Input data position3	$3\frac{t_{RCIP}}{7}-0.25$	$3\frac{t_{RCIP}}{7}$	$3\frac{t_{RCIP}}{7}+0.25$	ns
t_{RIP4}	Input data position4	$4\frac{t_{RCIP}}{7}-0.25$	$4\frac{t_{RCIP}}{7}$	$4\frac{t_{RCIP}}{7}+0.25$	ns
t_{RIP3}	Input data position5	$5\frac{t_{RCIP}}{7}-0.25$	$5\frac{t_{RCIP}}{7}$	$5\frac{t_{RCIP}}{7}+0.25$	ns
t_{RIP2}	Input data position6	$6\frac{t_{RCIP}}{7}-0.25$	$6\frac{t_{RCIP}}{7}$	$6\frac{t_{RCIP}}{7}+0.25$	ns
t_{RPLL}	Phase Locked Loop set time	–	–	10.0	ms
t_{RCIP}	Clock input period	8.93	–	125	ns

● AC Timing Diagrams

■ LVC MOS



$x=A,B,C,D,E$
 $n=0,1,2,3,4,5,6$

Figure-6 LVC MOS output timing

■ Phase-Locked Loop set time

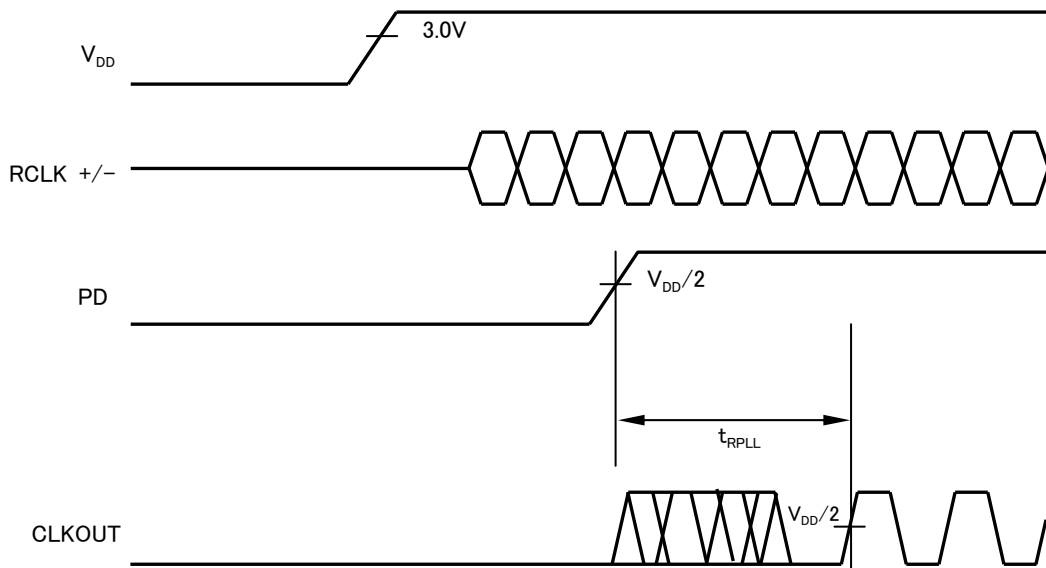


Figure-7 Phase-Locked Loop set time

● LVDS Data, Clock Input Timing

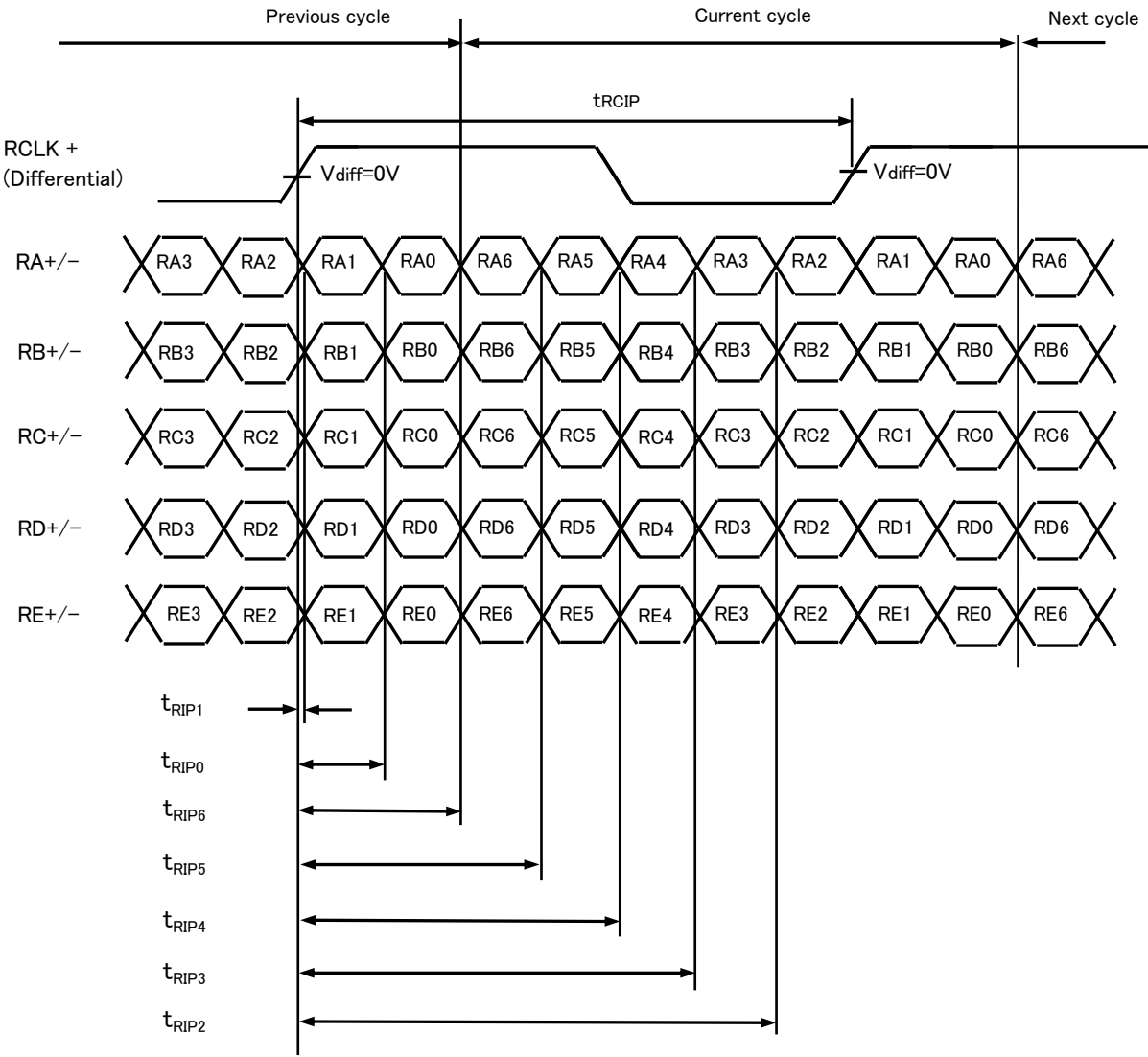


Figure-8 LVDS data and clock input timing

● LVDS Data, Clock Input and LVSMOS Output Timing

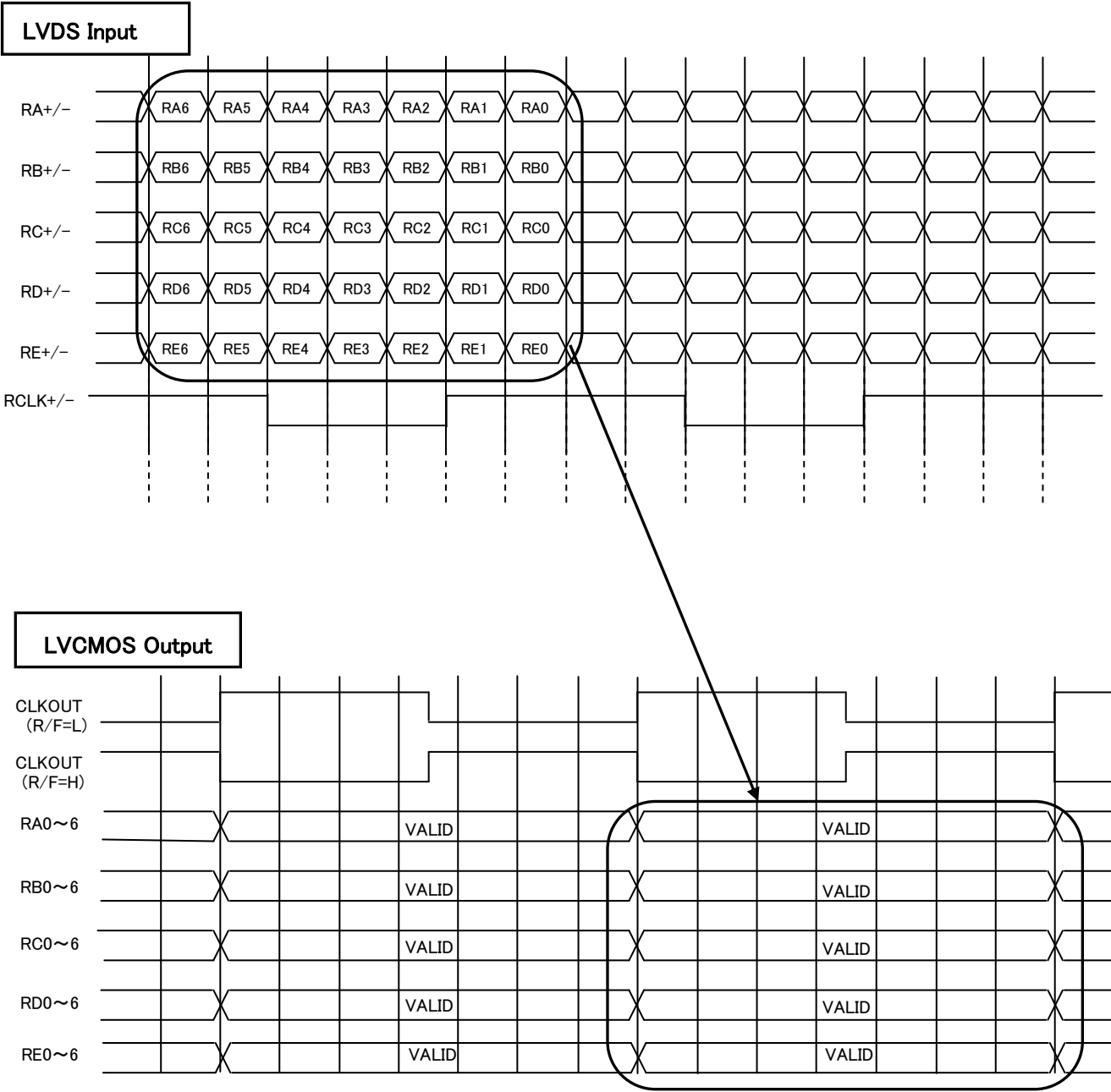


Figure-9 LVDS Data, Clock Input and LVC MOS Output Timing

●About the Power On Reset

Power on reset is not mandatory for this device.

(The PD pin should be set to high level when power on reset procedure is not used.)

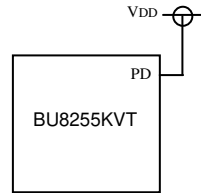


Figure-10 Terminal connection when power on reset is not used.

However, Power on reset procedure is strongly recommend for internal logic initialization by following two methods.

- ① The method of using CR circuit.
- ② The method of using external specific IC.

It is recommend to do enough examination for target application.

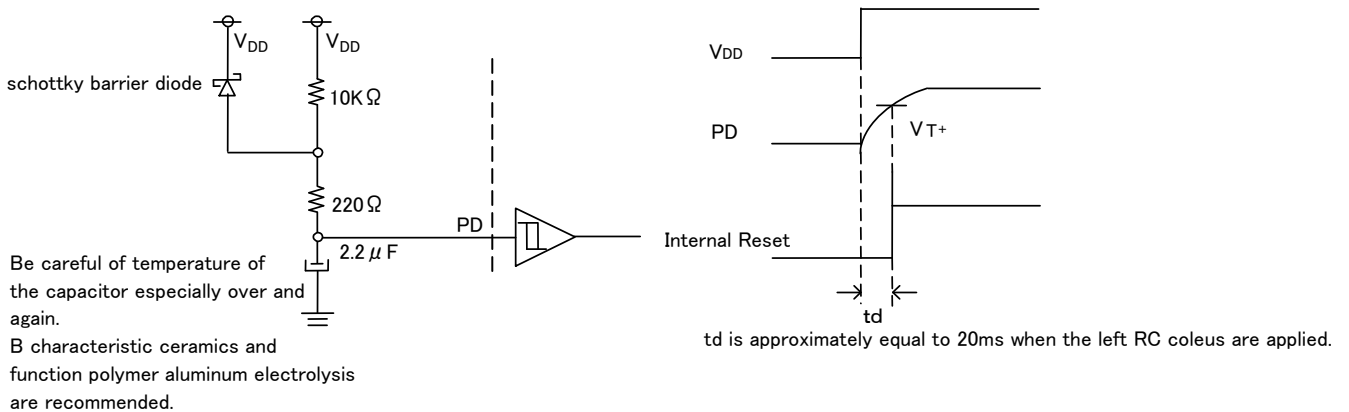


Figure-11 Power on reset by external a CR circuit

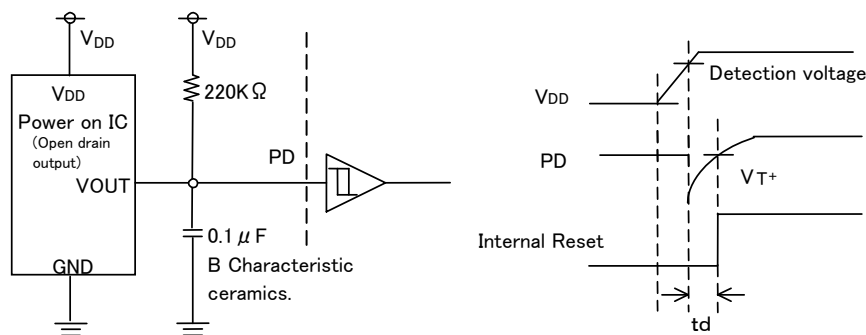


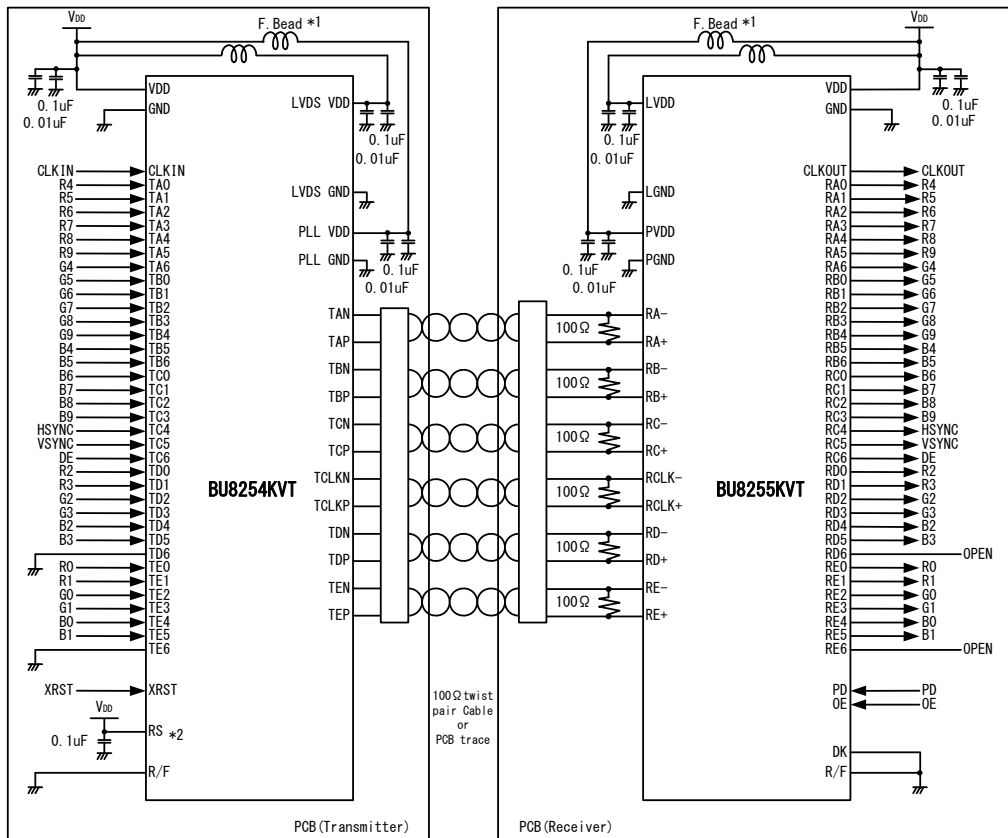
Figure-12 Power on reset by specific IC

● 10 LVDS Level Input & Output

Example:

BU8254KVT : LVCMOS level input/Falling edge/LVDS normal(350mV) swing output

BU8255KVT : LVCMOS level output/Falling edge



* 1 Recommended Parts:

F.Bead : BLM18A-Series (Murata Manufacturing Co.)

* 2 :If RS pin is tied to V_{DD} , LVDS swing is 350m V.

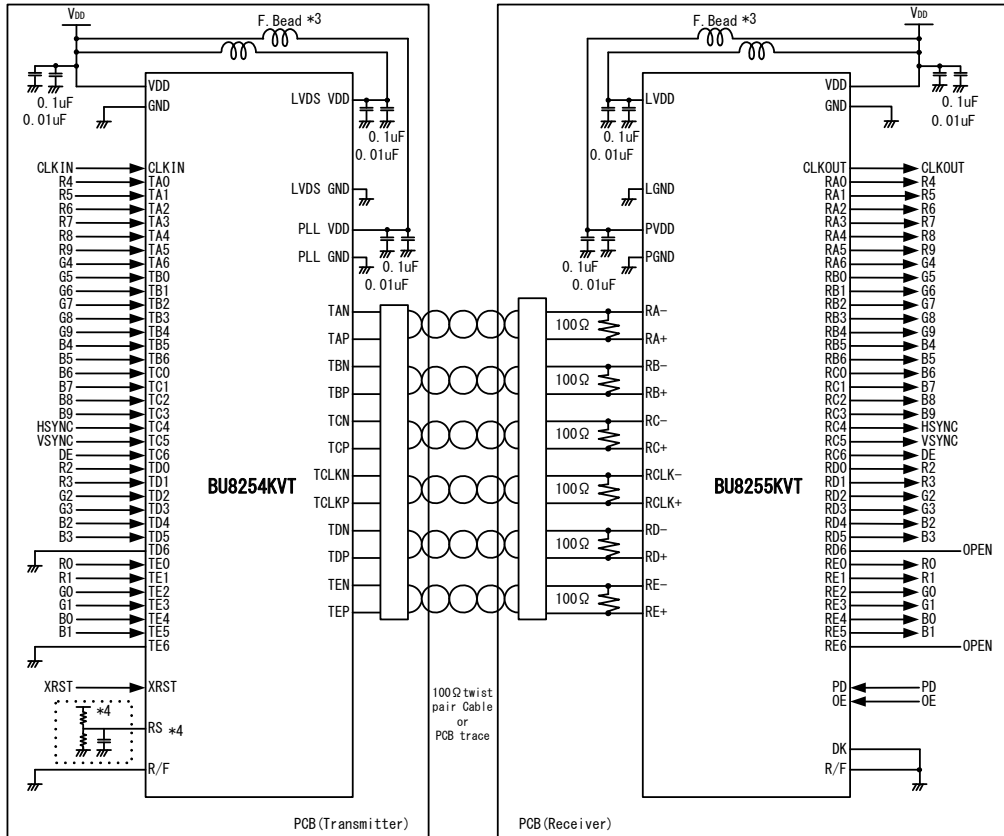
If RS pin is tied to GND, LVDS swing is 200m V.

● 10bit Small Swing Input & LVCMOS Level Output

Example:

BU8254KVT : LVCMOS level input/Falling edge/LVDS normal(350mV) swing output

BU8255KVT : LVCMOS level output/Falling edge

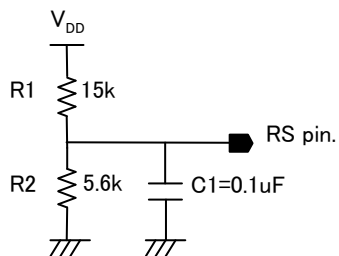


* 3 Recommended Parts:

F.Bead : BLM18A-Series (Murata Manufacturing Co.)

* 4 :RS pin acts as VREF input pin when input voltage is set to half of high level signal input.

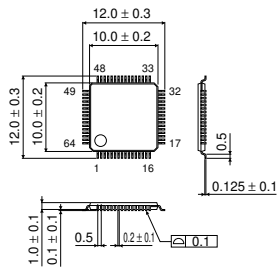
We recommend to locate by-pass condenser near the RS pin.



Example for LVTTTL(1.8V input):(R1,R2)=(15k Ω ,5.6k Ω)

TQFP64V

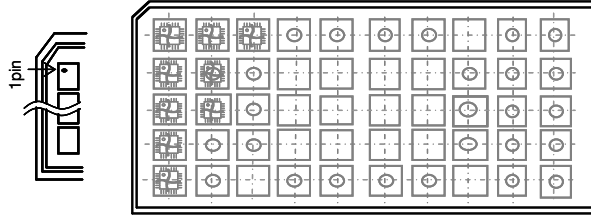
<Dimension>



(Unit:mm)

<Packing information>

Container	Tray(with dry pack)
Quantity	1000pcs
Direction of feed	Direction of product is fixed in a tray.



※When you order , please order in times the amount of package quantity.

- The contents described herein are correct as of June, 2008
- The contents described herein are subject to change without notice. For updates of the latest information, please contact and confirm with ROHM CO.,LTD.
- Any part of this application note must not be duplicated or copied without our permission.
- Application circuit diagrams and circuit constants contained herein are shown as examples of standard use and operation. Please pay careful attention to the peripheral conditions when designing circuits and deciding upon circuit constants in the set.
- Any data, including, but not limited to application circuit diagrams and information, described herein are intended only as illustrations of such devices and not as the specifications for such devices. ROHM CO.,LTD. disclaims any warranty that any use of such devices shall be free from infringement of any third party's intellectual property rights or other proprietary rights, and further, assumes no liability of whatsoever nature in the event of any such infringement, or arising from or connected with or related to the use of such devices.
- Upon the sale of any such devices, other than for buyer's right to use such devices itself, resale or otherwise dispose of the same, implied right or license to practice or commercially exploit any intellectual property rights or other proprietary rights owned or controlled by ROHM CO., LTD. is granted to any such buyer.
- The products described herein utilize silicon as the main material.
- The products described herein are not designed to be X ray proof.

The products listed in this catalog are designed to be used with ordinary electronic equipment or devices (such as audio visual equipment, office-automation equipment, communications devices, electrical appliances and electronic toys). Should you intend to use these products with equipment or devices which require an extremely high level of reliability and the malfunction of which would directly endanger human life (such as medical instruments, transportation equipment, aerospace machinery, nuclear-reactor controllers, fuel controllers and other safety devices), please be sure to consult with our sales representative in advance.

Contact us for further information about the products.

Excellence in Electronics

ROHM

ROHM CO., LTD.

21, Saiin Mizosaki-cho, Ukyo-ku, Kyoto
615-8585, Japan
TEL: +81-75-311-2121 FAX: +81-75-315-0172
URL: <http://www.rohm.com>

Published by
LSI Business Promotion Dept.

San Diego
Atlanta
Boston
Chicago
Dallas
Denver
Detroit
Nashville
Mexico
Düsseldorf
Munich
Stuttgart
France
United Kingdom
Denmark
Barcelona
Hungary
Poland
Russia
Seoul
Masan
Dalian
Beijing
Tianjin

TEL: +1-858-625-3630 FAX: +1-858-625-3670
TEL: +1-770-754-5972 FAX: +1-770-754-0691
TEL: +1-978-371-0382 FAX: +1-928-438-7164
TEL: +1-847-368-1006 FAX: +1-847-368-1008
TEL: +1-469-287-5366 FAX: +1-469-362-7973
TEL: +1-303-708-0908 FAX: +1-303-708-0858
TEL: +1-248-348-9920 FAX: +1-248-348-9942
TEL: +1-615-620-6700 FAX: +1-615-620-6702
TEL: +52-33-3123-2001 FAX: +52-33-3123-2002
TEL: +49-2154-9210 FAX: +49-2154-921400
TEL: +49-8161-48310 FAX: +49-8161-483120
TEL: +49-711-72723710 FAX: +49-711-72723720
TEL: +33-1-5697-3060 FAX: +33-1-5697-3080
TEL: +44-1-908-306700 FAX: +44-1-908-235788
TEL: +45-3694-4739 FAX: +45-3694-4789
TEL: +34-9375-24320 FAX: +34-9375-24410
TEL: +36-1-4719338 FAX: +36-1-4719339
TEL: +48-22-5757213 FAX: +48-22-5757001
TEL: +7-95-980-6755 FAX: +7-95-937-8290
TEL: +82-2-8182-700 FAX: +82-2-8182-715
TEL: +82-55-240-6234 FAX: +82-55-240-6236
TEL: +86-411-8230-8549 FAX: +86-411-8230-8537
TEL: +86-10-8525-2483 FAX: +86-10-8525-2489
TEL: +86-22-23029181 FAX: +86-22-23029183

Shanghai
Hangzhou
Nanjing
Ningbo
Qingdao
Suzhou
Wuxi
Shenzhen
Dongguan
Fuzhou
Guangzhou
Huizhou
Xiamen
Zhuhai
Hong Kong
Taipei
Kaohsiung
Singapore
Philippines
Thailand
Kuala Lumpur
Penang
Kyoto
Yokohama

TEL: +86-21-6279-2727 FAX: +86-21-6247-2066
TEL: +86-571-87658072 FAX: +86-571-87658071
TEL: +86-25-8689-0015 FAX: +86-25-8689-0393
TEL: +86-574-87654201 FAX: +86-574-87654208
TEL: +86-532-5779-312 FAX: +86-532-5779-653
TEL: +86-512-6807-1300 FAX: +86-512-6807-2300
TEL: +86-510-82702693 FAX: +86-510-82702992
TEL: +86-755-8307-3008 FAX: +86-755-8307-3003
TEL: +86-769-8393-3320 FAX: +86-769-8398-4140
TEL: +86-591-8801-8698 FAX: +86-591-8801-8690
TEL: +86-20-8364-9796 FAX: +86-20-8364-9707
TEL: +86-752-205-1054 FAX: +86-752-205-1059
TEL: +86-592-238-5705 FAX: +86-592-239-8380
TEL: +86-756-3232-480 FAX: +86-756-3232-460
TEL: +852-2-740-6262 FAX: +852-2-375-8971
TEL: +886-7-237-0881 FAX: +886-7-238-7332
TEL: +886-2-2500-6956 FAX: +886-2-2503-2869
TEL: +886-7-237-0881 FAX: +886-7-238-7332
TEL: +65-6332-2322 FAX: +65-6332-5662
TEL: +63-2-807-6872 FAX: +63-2-809-1422
TEL: +66-2-254-4890 FAX: +66-2-256-6334
TEL: +60-3-7958-8355 FAX: +60-3-7958-8377
TEL: +60-4-2286453 FAX: +60-4-2286452
TEL: +81-75-365-1218 FAX: +81-75-365-1228
TEL: +81-45-476-2290 FAX: +81-45-476-2295