



Chipsmall Limited consists of a professional team with an average of over 10 year of expertise in the distribution of electronic components. Based in Hongkong, we have already established firm and mutual-benefit business relationships with customers from,Europe,America and south Asia,supplying obsolete and hard-to-find components to meet their specific needs.

With the principle of “Quality Parts,Customers Priority,Honest Operation,and Considerate Service”,our business mainly focus on the distribution of electronic components. Line cards we deal with include Microchip,ALPS,ROHM,Xilinx,Pulse,ON,Everlight and Freescale. Main products comprise IC,Modules,Potentiometer,IC Socket,Relay,Connector.Our parts cover such applications as commercial,industrial, and automotives areas.

We are looking forward to setting up business relationship with you and hope to provide you with the best service and solution. Let us make a better world for our industry!



Contact us

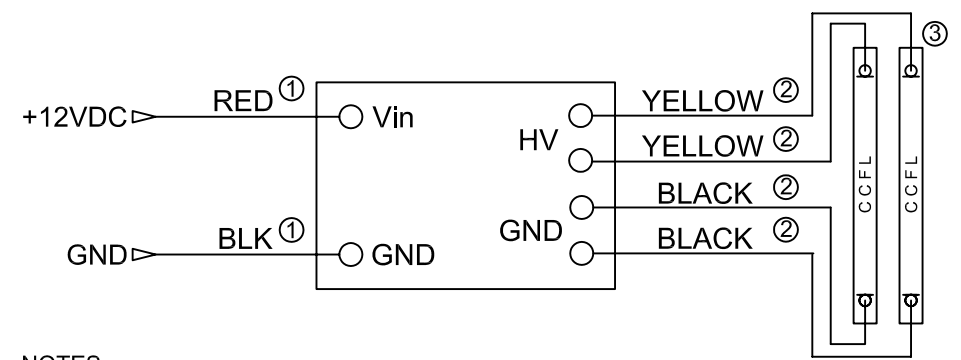
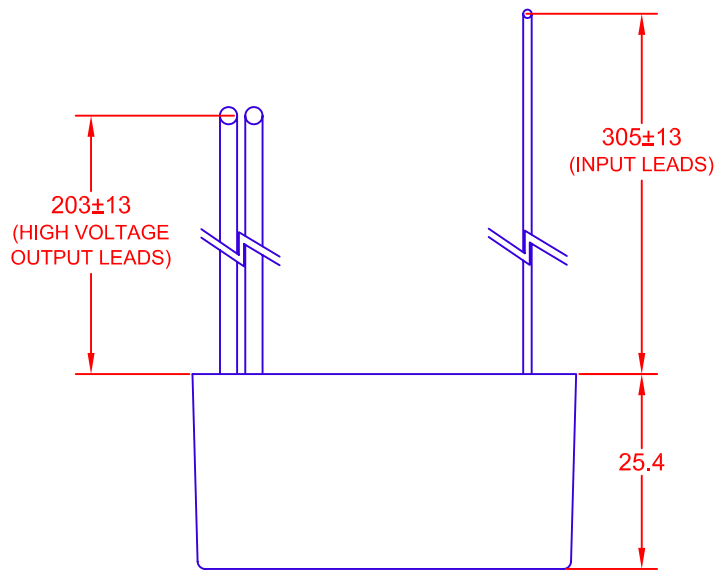
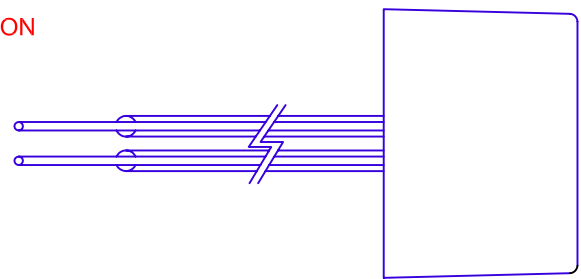
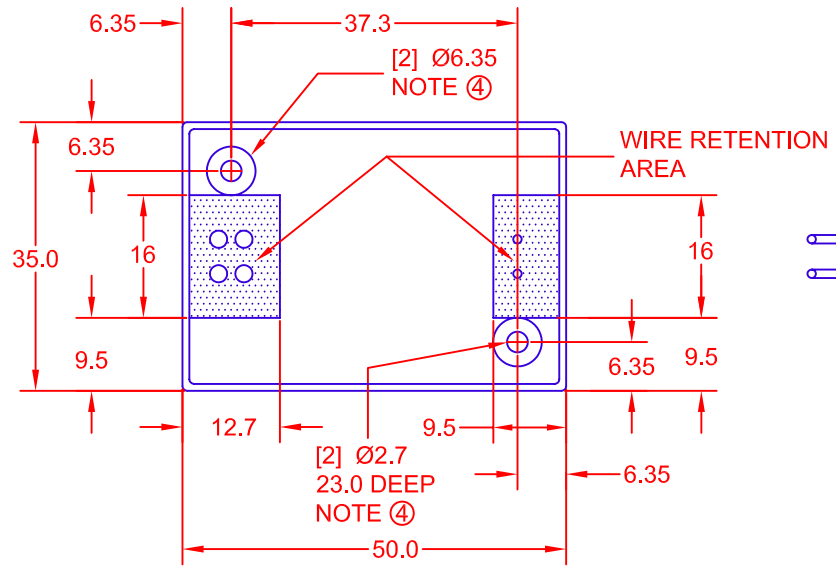
Tel: +86-755-8981 8866 Fax: +86-755-8427 6832

Email & Skype: info@chipsmall.com Web: www.chipsmall.com

Address: A1208, Overseas Decoration Building, #122 Zhenhua RD., Futian, Shenzhen, China



REV.	DESCRIPTION/ECO NO.	DATE
A	PROD. RELEASED	11/4/98
B	WIRE DESIGN PLACEMENT CORRECT.	12/9/03
C	ADD LOCATION OF WIRES IN COMPOUND & NOTES	7/12/07



- NOTES:
- ① REVERSE POLARITY TO INVERTER INPUT WILL CAUSE AN OPEN CIRCUIT IN INTERNAL FUSE.
 - ② WIRE SIZE 22 AWG, SOFT FLEXIBLE PVC INSULATION NOMINAL O.D. 2.3mm TEMPERATURE RANGE -80 TO +105 C.
 - ③ REFERENCE DRAWING BXA-12529 FOR SINGLE LAMP OPERATION.
 - ④ USE 6-32-0.75 INCH LONG TYPE F SCREWS IN LOCATIONS.

OPERATING SPECIFICATIONS

CHARACTERISTICS	MIN	TYP	MAX
INPUT VOLTAGE: (vdc)	10.0	12.0	13.2
INPUT CURRENT: (mA)	200	260	500
OUTPUT VOLTAGE: (Vrms)	950	1000	1050
OUTPUT CURRENT 2 X (mA)	4.5	5.5	6.5
OUTPUT FREQUENCY: (kHz)	25	35	45
OPERATING TEMP: (CELSIUS)	0	25	50

METRIC THIRD ANGLE PROJECTION	DIMENSIONS ARE IN MILLIMETERS	JKL COMPONENTS CORPORATION			
	TOLERANCE UNLESS OTHERWISE SPECIFIED 1 PL +/- 0.5 2 PL +/- 0.3 ANGLE +/- 0				
DRAWN BY L. WENGSTROM	APP'D BY L.R.	DATE 7/12/07	SIZE A	FSCM NO. 55335	DRAWING NO. BXA-12529/PS1
- CAD DRAWING - MANUAL REVISIONS NOT PERMITTED			SCALE NONE	RELEASED DATE 11/4/98	REVISION DATE 7/12/07
				REV. NO. C	SHEET 1 OF 1