



Chipsmall Limited consists of a professional team with an average of over 10 year of expertise in the distribution of electronic components. Based in Hongkong, we have already established firm and mutual-benefit business relationships with customers from,Europe,America and south Asia,supplying obsolete and hard-to-find components to meet their specific needs.

With the principle of "Quality Parts,Customers Priority,Honest Operation,and Considerate Service",our business mainly focus on the distribution of electronic components. Line cards we deal with include Microchip,ALPS,ROHM,Xilinx,Pulse,ON,Everlight and Freescale. Main products comprise IC,Modules,Potentiometer,IC Socket,Relay,Connector.Our parts cover such applications as commercial,industrial, and automotives areas.

We are looking forward to setting up business relationship with you and hope to provide you with the best service and solution. Let us make a better world for our industry!



Contact us

Tel: +86-755-8981 8866 Fax: +86-755-8427 6832

Email & Skype: info@chipsmall.com Web: www.chipsmall.com

Address: A1208, Overseas Decoration Building, #122 Zhenhua RD., Futian, Shenzhen, China



MATING CONNECTORS:

REF.	DESCRIPTION	PART NUMBER	MFG.
CN-1	INPUT HOUSING TERMINAL	IL-Z-7S-S125C3 IL-Z-C3-A-15000	JAE
CN-1	INPUT HARNESS	BXC-10550	JKL
CN-2	OUTPUT HOUSING TERMINAL	M63M83-06 M63C84-1	MITSUMI
CN-2	OUTPUT HARNESS	BXC-10655	JKL

PERFORMANCE SPECIFICATIONS:

DESCRIPTION	SYM	MIN	TYP	MAX	UNITS
INPUT VOLTAGE	VIN	10.8	12.0	13.2	V DC
INPUT CURRENT	IIN	---	520	---	MA DC
OUTPUT VOLTAGE	VL	1100	1200	---	V RMS
OUTPUT CURRENT	IL	5.5	6.0	6.5	MA RMS
OSC. FREQUENCY	Fo	20.0	30.0	40.0	K HZ
PWM FREQUENCY	FPW	4.35	4.55	4.75	HZ

TESTED WITH 2 EACH 3MM X 220MM LAMPS, AT 25°C, VIN=12.0V ± 0.1V.

CONTROL FUNCTIONS:

CNT (INPUT PIN 3) IS USED AS AN INHIBIT FUNCTION, "+V" OR "OPEN" EQUALS OFF. "GND" EQUALS ON.

R MODE DIMMING: VRI AND VR2 (INPUT PINS 1 AND 2) ARE USED TO PROVIDE, THE DIMMING FUNCTION, "0" OHMS EQUALS 100% LIGHT OUTPUT, "10K" OHMS EQUALS 40% LIGHT OUTPUT.

V MODE DIMMING: VRI (INPUT PIN 1) IS USED TO PROVIDE, THE DIMMING FUNCTION, "0V DC" EQUALS 100% LIGHT OUTPUT, "2.0V DC" EQUALS 20% LIGHT OUTPUT.

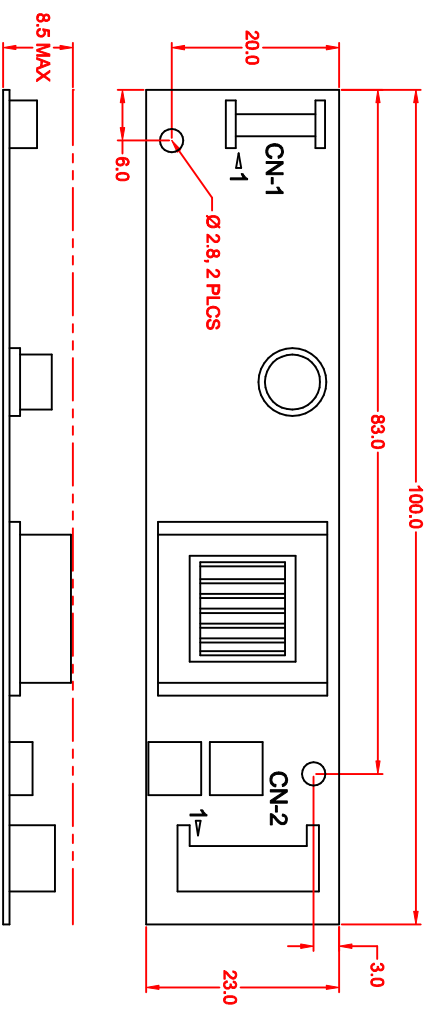
NOTE: THE SWITCH AND POTENTIOMETER SHOWN ON THE WIRING DIAGRAM ARE NOT A PART OF THE BXA-12549-6M INVERTER. THESE PARTS ARE AVAILABLE FROM MOST ELECTRONIC PARTS DISTRIBUTORS.

OPERATING CHARACTERISTICS:

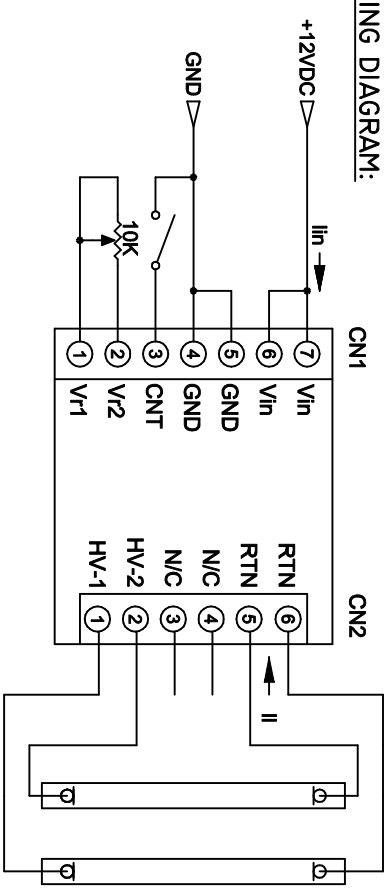
INPUT VOLTAGE RANGE: 10.8 VDC TO 13.2 VDC
 NOMINAL INPUT POWER: 8.0 WATTS
 OUTPUT DIMMING RANGE (R MODE): 50% TO 100%
 OUTPUT DIMMING RANGE (V MODE): 20% TO 100%
 OPERATING TEMPERATURE RANGE: 0°C TO 60°C
 STORAGE TEMPERATURE RANGE: -20°C TO 70°C

ABSOLUTE MAXIMUM RATINGS:
 MAXIMUM INPUT VOLTAGE: 14.0 VDC
 MAXIMUM RELATIVE HUMIDITY: 90%

REV.	DESCRIPTION/ECO NO.	DATE
	ENGR. RELEASED TO CAD	7/7/04



WIRING DIAGRAM:



METRIC		DIMENSIONS ARE IN MILLIMETERS	TOLERANCE UNLESS OTHERWISE SPECIFIED	1 PL +/-, REF.	2 PL +/-, 0	ANGLE +/-, 0	THIRD ANGLE PROJECTION
DRAWN BY	L. WENGSTROM	APP'D BY	J.K.	DATE	7/7/04	SIZE	A
MANUAL REVISIONS NOT PERMITTED	- CAD DRAWING -	SCALE	NONE	RELEASED DATE	7/7/04	REV. NO.	1
JKL COMPONENTS CORPORATION TITLE: 12 VDC INPUT, DUAL OUTPUT, DIMMING CCFL INVERTER				FORM NO.	55335	REV. NO.	1
				DATE	7/7/04	DATE	7/7/04