



Chipsmall Limited consists of a professional team with an average of over 10 year of expertise in the distribution of electronic components. Based in Hongkong, we have already established firm and mutual-benefit business relationships with customers from,Europe,America and south Asia,supplying obsolete and hard-to-find components to meet their specific needs.

With the principle of "Quality Parts,Customers Priority,Honest Operation,and Considerate Service",our business mainly focus on the distribution of electronic components. Line cards we deal with include Microchip,ALPS,ROHM,Xilinx,Pulse,ON,Everlight and Freescale. Main products comprise IC,Modules,Potentiometer,IC Socket,Relay,Connector.Our parts cover such applications as commercial,industrial, and automotives areas.

We are looking forward to setting up business relationship with you and hope to provide you with the best service and solution. Let us make a better world for our industry!



Contact us

Tel: +86-755-8981 8866 Fax: +86-755-8427 6832

Email & Skype: info@chipsmall.com Web: www.chipsmall.com

Address: A1208, Overseas Decoration Building, #122 Zhenhua RD., Futian, Shenzhen, China



MATING CONNECTORS:

REF.	DESCRIPTION	PART NUMBER	MFG.
CN-1	INPUT HOUSING TERMINAL	IL-Z-5S-S125C3	JAE
CN-1	INPUT HARNESS	IL-Z-C3-A-15000	JKL
CN-2	OUTPUT HOUSING TERMINAL	BXC-10546	JKL
CN-2	OUTPUT HARNESS	M63M83-04 M63C84-1 BXC-10632	MITSUM
CN-2	OUTPUT HARNESS		JKL

PERFORMANCE SPECIFICATIONS:

DESCRIPTION	SYM	MIN	TYP	MAX	UNITS
INPUT VOLTAGE	VIN	8.0	12.0	16.0	V DC
INPUT CURRENT	IIN	270	320	370	MA DC
OUTPUT VOLTAGE	VL	900	1000	----	V RMS
OUTPUT CURRENT	IL	5.0	6.0	7.0	MA RMS
OSC. FREQUENCY	Fo	45	55	65	K HZ

TESTED WITH 3mm X 220mm LAMP,
AT 25°C, V = 12.0 V ± 0.1 V.

CONTROL FUNCTIONS:

CNT (INPUT PIN 3) IS USED AS AN INHIBIT FUNCTION, "+V" OR "OPEN" EQUALS OFF. "GND" EQUALS ON.

Vr1 AND Vr2 (INPUT PINS 1 AND 2) ARE USED TO PROVIDE, THE DIMMING FUNCTION, 0 OHMS EQUALS 100 % OUTPUT, 10K OHMS EQUALS 40% OUTPUT.

NOTE: THE SWITCH AND POTENTIOMETER SHOWN ON THE WIRING DIAGRAM ARE NOT A PART OF THE BXA-12565-6M INVERTER. THESE PARTS ARE AVAILABLE FROM MOST ELECTRONIC PARTS DISTRIBUTORS.

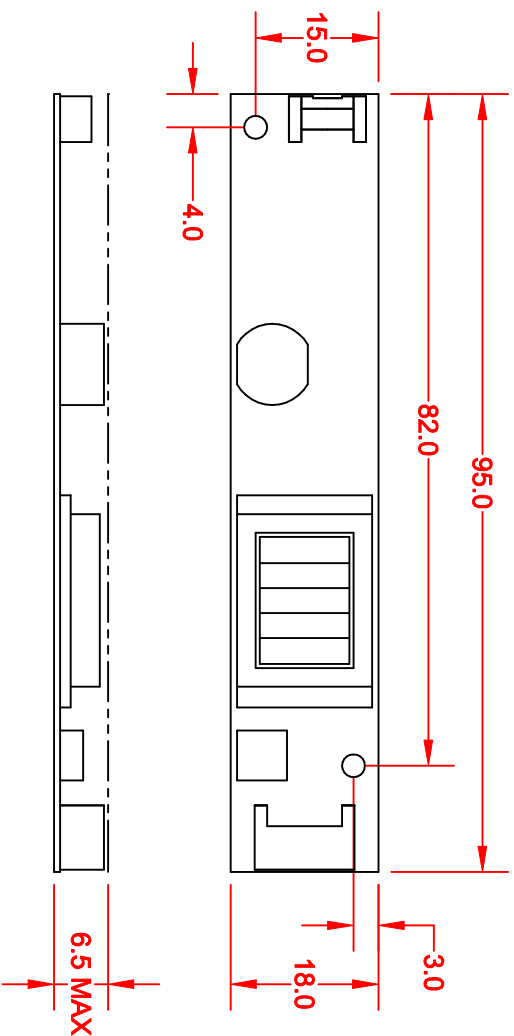
OPERATING CHARACTERISTICS:

INPUT VOLTAGE RANGE: 8.0 TO 16.0 Vdc
 OUTPUT DIMMING RANGE: 100% TO 40%
 OPERATING TEMP. RANGE: 0°C TO +60°C
 STORAGE TEMP. RANGE: -20°C TO +70°C

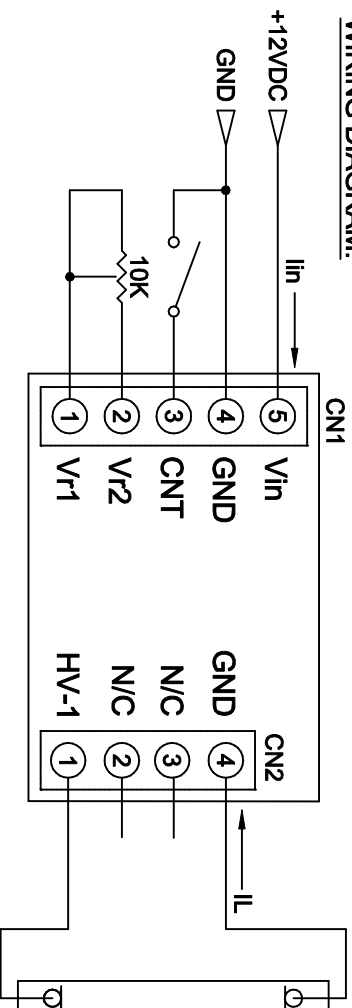
ABSOLUTE MAXIMUM RATINGS:

INPUT VOLTAGE: 18.0 Vdc
 LAMP SIZE: Ø3mm X 240mm

REV.	DESCRIPTION/ECO NO.	DATE
	ENGR. RELEASED TO CAD	8/5/04



WIRING DIAGRAM:



METRIC	DIMENSIONS ARE IN MILLIMETERS	TOLERANCE UNLESS OTHERWISE SPECIFIED
THIRD ANGLE PROJECTION	1 PL +/-	2 PL +/-
	ANGLE +/-	0
JKL COMPONENTS CORPORATION	TITLE	12 VDC INPUT, DIMMING 100% - 40% CCFL INVERTER
DRWN BY L. WENGSTROM	APP'D BY J.K.	DATE 8/5/04
SCALE NONE	SIZE A	FSCH NO. 55335
MANUAL REVISIONS NOT PERMITTED	RELEASED DATE 8/5/04	DRAWING NO. BXA-12565-6M
	REVISION DATE	REV. NO.
		SHEET 1 OF 1