



Chipsmall Limited consists of a professional team with an average of over 10 year of expertise in the distribution of electronic components. Based in Hongkong, we have already established firm and mutual-benefit business relationships with customers from,Europe,America and south Asia,supplying obsolete and hard-to-find components to meet their specific needs.

With the principle of "Quality Parts,Customers Priority,Honest Operation,and Considerate Service",our business mainly focus on the distribution of electronic components. Line cards we deal with include Microchip,ALPS,ROHM,Xilinx,Pulse,ON,Everlight and Freescale. Main products comprise IC,Modules,Potentiometer,IC Socket,Relay,Connector.Our parts cover such applications as commercial,industrial, and automotives areas.

We are looking forward to setting up business relationship with you and hope to provide you with the best service and solution. Let us make a better world for our industry!



Contact us

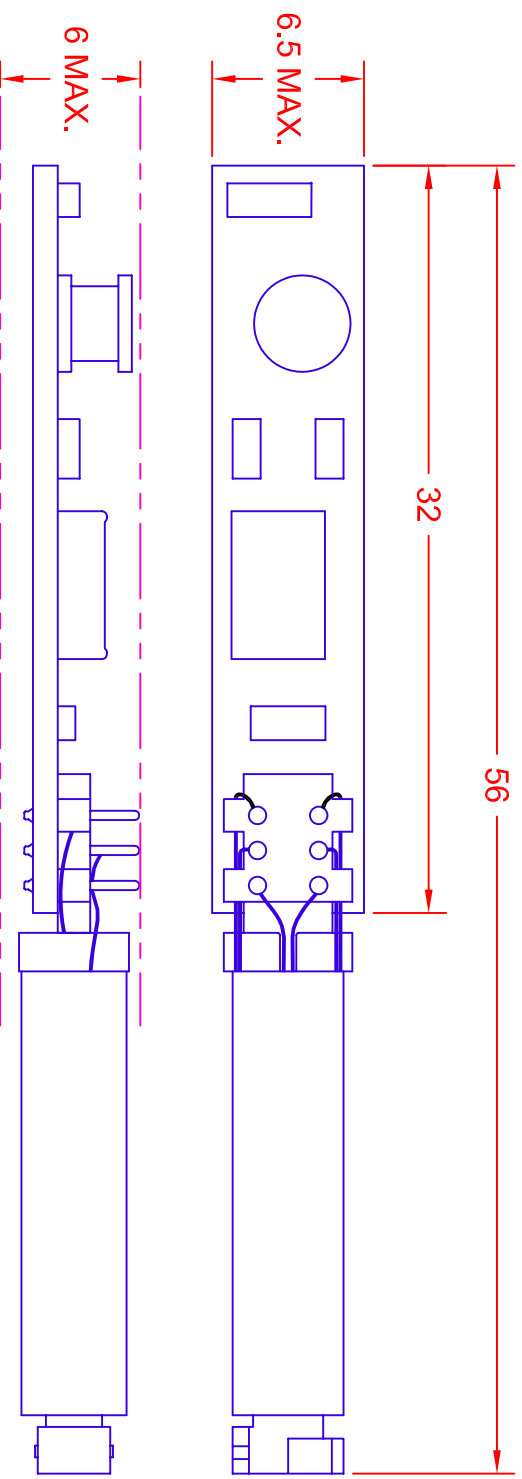
Tel: +86-755-8981 8866 Fax: +86-755-8427 6832

Email & Skype: info@chipsmall.com Web: www.chipsmall.com

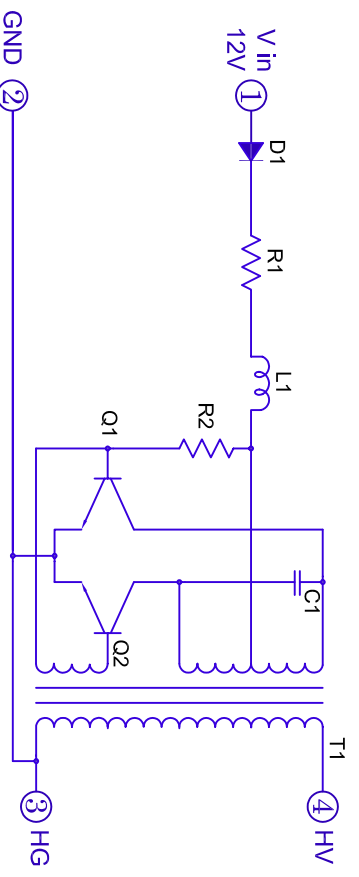
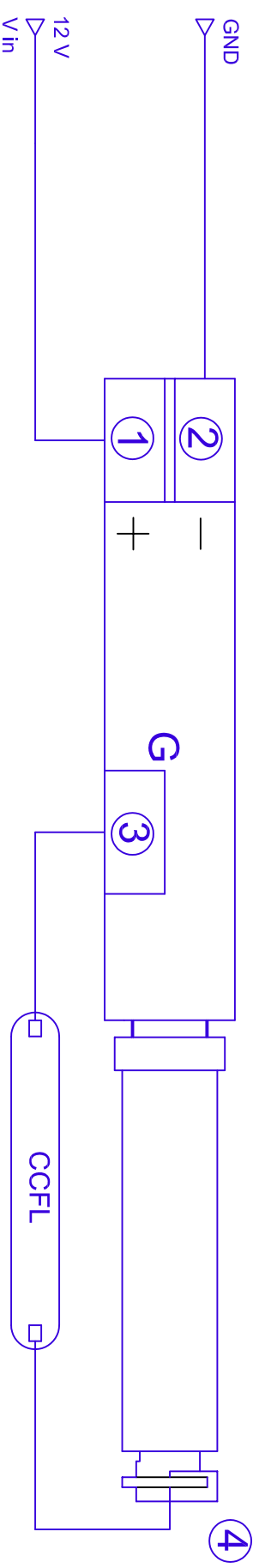
Address: A1208, Overseas Decoration Building, #122 Zhenhua RD., Futian, Shenzhen, China



REV.	DESCRIPTION/ECO NO.	DATE
A	RELEASED AS CAD DRW.	7/11/03
B	OPER. SPEC. CORRECTION	9/24/03
	ADD RoHS NOTE	3/16/07



BOARD PIN #	INPUT
1	+V (V in)
2	V (GND)
3	OUT GND
4	V OUT



OPERATING SPECIFICATIONS

CHARACTERISTICS	MIN	TYP	MAX
INPUT VOLTAGE: (Vdc)	10.0	12.0	15.0
INPUT CURRENT: (mA)	130	150	170
OUTPUT VOLTAGE: (Vrms)	700	800	900
OUTPUT CURRENT (mA)	3.0	4.0	5.0
OUTPUT FREQUENCY: (KHz)	85	105	125
OPERATING TEMP: (CELSIUS)	0	25	50

METRIC		DIMENSIONS ARE IN MILLIMETERS		TITLE	
	THIRD ANGLE PROJECTION	TOLERANCE UNLESS OTHERWISE SPECIFIED	1 PL +/- 0.2	JKL COMPONENTS CORPORATION	
		2 PL +/-	ANGLE +/- 0		
DRAWN BY L. WENGSTROM		APPR/D BY J.K.	DATE 3/16/07	SIZE A	FCGM NO. 55335
- CAD DRAWING -				SCALE NONE	DRAWING NO. BXA-12576
MANUAL REVISIONS NOT PERMITTED				RELEASED DATE 7/11/03	REVISION DATE 3/16/07
				REV. NO. B	SHEET OF

*JKL PART NO.: BXA-12576
*ROHS COMPLIANT