



Chipsmall Limited consists of a professional team with an average of over 10 year of expertise in the distribution of electronic components. Based in Hongkong, we have already established firm and mutual-benefit business relationships with customers from,Europe,America and south Asia,supplying obsolete and hard-to-find components to meet their specific needs.

With the principle of "Quality Parts,Customers Priority,Honest Operation,and Considerate Service",our business mainly focus on the distribution of electronic components. Line cards we deal with include Microchip,ALPS,ROHM,Xilinx,Pulse,ON,Everlight and Freescale. Main products comprise IC,Modules,Potentiometer,IC Socket,Relay,Connector.Our parts cover such applications as commercial,industrial, and automotives areas.

We are looking forward to setting up business relationship with you and hope to provide you with the best service and solution. Let us make a better world for our industry!



Contact us

Tel: +86-755-8981 8866 Fax: +86-755-8427 6832

Email & Skype: info@chipsmall.com Web: www.chipsmall.com

Address: A1208, Overseas Decoration Building, #122 Zhenhua RD., Futian, Shenzhen, China



MATING CONNECTORS:

REF.	DESCRIPTION	PART NUMBER	MFG.
CN-1	INPUT HOUSING TERMINAL	51021-0500 50079-8000	MOLEX
CN-1	INPUT HARNESS	BXC-10549	JKL
CN-2	OUTPUT HOUSING TERMINAL	BHR-03VS-1 SBH-001T-P0.5	JST
CN-2	OUTPUT HARNESS	BXC-10643	JKL

OPERATING CHARACTERISTICS:

INPUT VOLTAGE RANGE: 10.0 Vdc To 14.0 Vdc
 NOMINAL INPUT POWER: 1.8 WATTS
 OUTPUT DIMMING RANGE (R MODE): 33% TO 100%
 OUTPUT DIMMING RANGE (V MODE): N/A
 OPERATING TEMPERATURE RANGE: 0°C TO 60°C
 STORAGE TEMPERATURE RANGE: -20°C TO 70°C

ABSOLUTE MAXIMUM RATINGS:

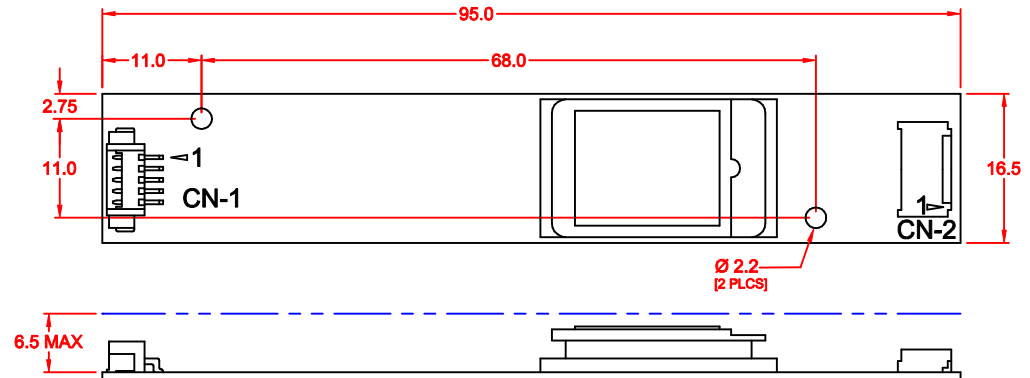
MAXIMUM INPUT VOLTAGE: 16.0 Vdc
 MAXIMUM RELATIVE HUMIDITY: 95%

REV.	DESCRIPTION/ECO NO.	DATE
	ENGR. RELEASED TO CAD	8/5/04

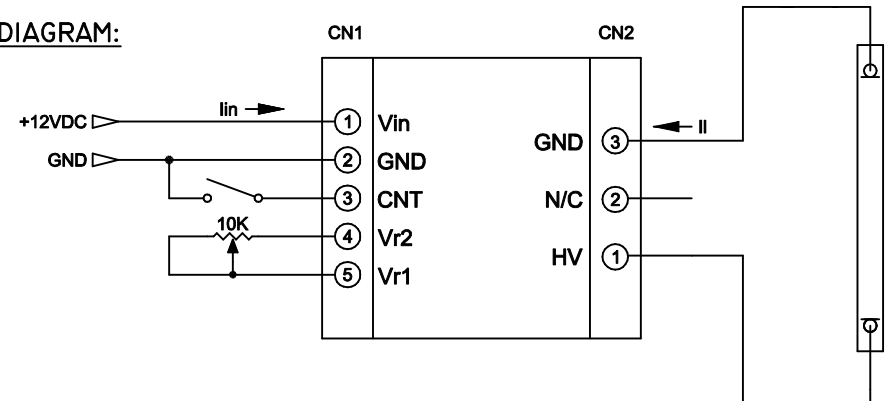
PERFORMANCE SPECIFICATIONS:

DESCRIPTION	SYM	MIN	TYP	MAX	UNITS
INPUT VOLTAGE	V _{IN}	10.0	12.0	13.2	V DC
INPUT CURRENT	I _{IN}	100	150	200	MA DC
OUTPUT VOLTAGE	V _L	900	1000	---	V RMS
OUTPUT CURRENT	I _L	2.5	3.0	3.5	MA RMS
OSC. FREQUENCY	F _o	40	50	60	K HZ

TESTED WITH 1 EACH 3MM X 164MM LAMP, AT 25°C, V_{IN}= 12.0V ± 0.1V.



WIRING DIAGRAM:



CONTROL FUNCTIONS:

CNT (INPUT PIN 3) IS USED AS AN INHIBIT FUNCTION, "GND" EQUALS ON. "+V" OR "OPEN" EQUALS OFF.

R MODE DIMMING: VR1 AND VR2 (INPUT PINS 4 AND 5) ARE USED TO PROVIDE, THE DIMMING FUNCTION, "0" OHMS EQUALS 100% LIGHT OUTPUT, "10K" OHMS EQUALS 33% LIGHT OUTPUT.

NOTE: THE SWITCH AND POTENTIOMETER SHOWN ON THE WIRING DIAGRAM ARE NOT A PART OF THE BXA-12592-3M INVERTER. THESE PARTS ARE AVAILABLE FROM MOST ELECTRONIC PARTS DISTRIBUTORS.

<p>THIRD ANGLE PROJECTION</p>	<p>METRIC</p>	<p>DIMENSIONS ARE IN MILLIMETERS</p>	<p>JKL COMPONENTS CORPORATION</p>				
	<p>TOLERANCE UNLESS OTHERWISE SPECIFIED</p> <p>1 PL +/- REF.</p> <p>2 PL +/-</p> <p>ANGLE +/- 0</p>	<p>TITLE</p> <p>12V DC INPUT, SINGLE OUTPUT, DIMMING CCFL INVERTER</p>					
<p>DRAWN BY</p> <p>L. WENGSTROM</p>	<p>APPVD BY</p> <p>J.K.</p>	<p>DATE</p> <p>8/5/04</p>	<p>SIZE</p> <p>A</p>	<p>FSCM NO.</p> <p>55335</p>	<p>DRAWING NO.</p>	<p>BXA-12592-3M</p>	
<p>- CAD DRAWING -</p> <p>MANUAL REVISIONS NOT PERMITTED</p>			<p>SCALE</p> <p>NONE</p>	<p>RELEASED DATE</p> <p>8/5/04</p>	<p>REVISION DATE</p>	<p>REV. NO.</p>	<p>SHEET</p> <p>1 OF 1</p>