



Chipsmall Limited consists of a professional team with an average of over 10 year of expertise in the distribution of electronic components. Based in Hongkong, we have already established firm and mutual-benefit business relationships with customers from,Europe,America and south Asia,supplying obsolete and hard-to-find components to meet their specific needs.

With the principle of “Quality Parts,Customers Priority,Honest Operation,and Considerate Service”,our business mainly focus on the distribution of electronic components. Line cards we deal with include Microchip,ALPS,ROHM,Xilinx,Pulse,ON,Everlight and Freescale. Main products comprise IC,Modules,Potentiometer,IC Socket,Relay,Connector.Our parts cover such applications as commercial,industrial, and automotives areas.

We are looking forward to setting up business relationship with you and hope to provide you with the best service and solution. Let us make a better world for our industry!



Contact us

Tel: +86-755-8981 8866 Fax: +86-755-8427 6832

Email & Skype: info@chipsmall.com Web: www.chipsmall.com

Address: A1208, Overseas Decoration Building, #122 Zhenhua RD., Futian, Shenzhen, China



PERFORMANCE SPECIFICATIONS:

DESCRIPTION	SYM	MIN	TYP	MAX	UNITS
INPUT VOLTAGE	V _{IN}	10.0	12.0	16.0	V DC
INPUT CURRENT	I _{IN}	---	230	---	MA DC
OUTPUT VOLTAGE	V _L	900	1000	---	V RMS
OUTPUT CURRENT	I _L	4.0	5.0	6.0	MA RMS
OSC. FREQUENCY	F _o	45.0	55.0	65.0	K HZ
PWM FREQUENCY	F _{PW}	435	455	475	HZ

TESTED WITH 1 EACH 3MM X 164MM LAMP, AT 25°C,
V_{IN} = 12.0V ± 0.1V.

OPERATING CHARACTERISTICS:

INPUT VOLTAGE RANGE: 8.0 Vdc To 16.0 Vdc
 NOMINAL INPUT POWER: 5.0 WATTS
 OUTPUT DIMMING RANGE (R MODE): 33% TO 100%
 OUTPUT DIMMING RANGE (V MODE): N/A
 OPERATING TEMPERATURE RANGE: 0°C TO 60°C
 STORAGE TEMPERATURE RANGE: -20°C TO 70°C

CONTROL FUNCTIONS:

CNT (INPUT PIN 3) IS USED AS AN INHIBIT FUNCTION, "GND" EQUALS ON. "+V" OR "OPEN" EQUALS OFF.

R MODE DIMMING: V_{R1} AND V_{R2} (INPUT PINS 4 AND 5) ARE USED TO PROVIDE, THE DIMMING FUNCTION, "0" OHMS EQUALS 100% LIGHT OUTPUT, "10K" OHMS EQUALS 33% LIGHT OUTPUT.

NOTE: THE SWITCH AND POTENTIOMETER SHOWN ON THE WIRING DIAGRAM ARE NOT A PART OF THE BXA-12594-5M INVERTER. THESE PARTS ARE AVAILABLE FROM MOST ELECTRONIC PARTS DISTRIBUTORS.

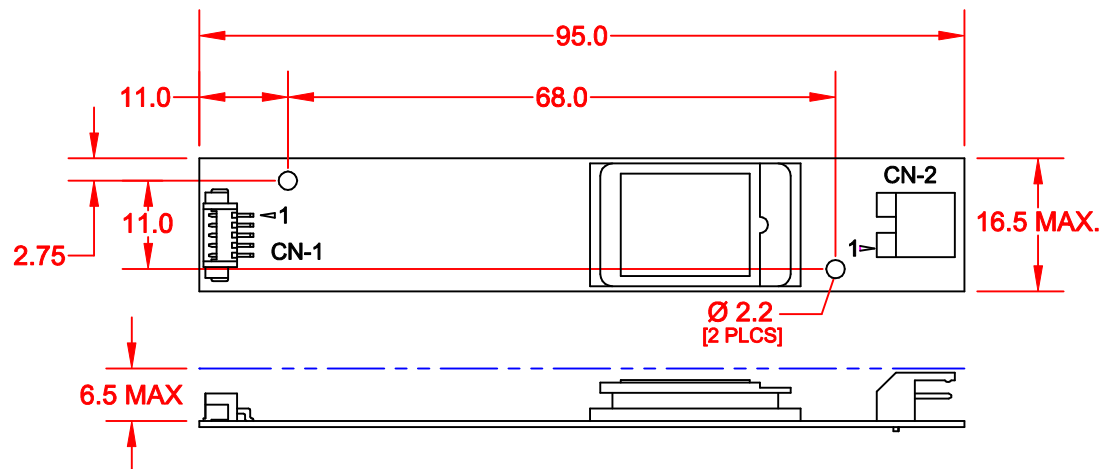
MATING CONNECTORS:

REF.	DESCRIPTION	PART NUMBER	MFG.
CN-1	HOUSING TERMINAL	51021-0500	MOLEX
CN-1	INPUT HARNESS	BXC-10549	JKL
CN-2	HOUSING TERMINAL	IL-G-4S-S3C2	JAE
CN-2	OUTPUT HARNESS	L-G-C2-SC-10000	JKL

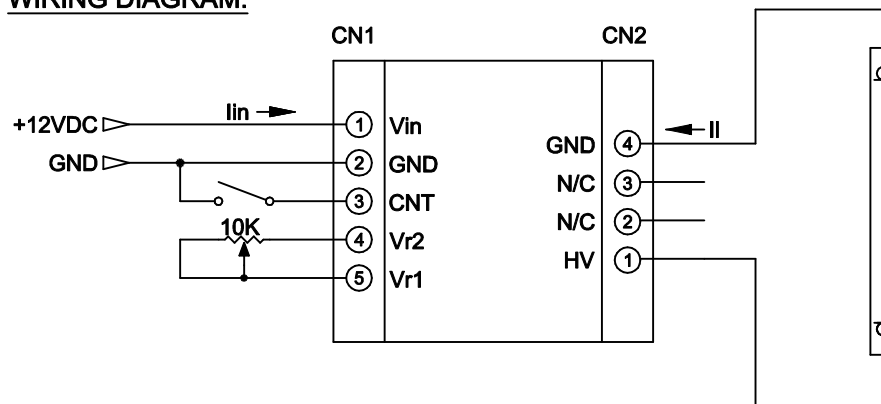
ABSOLUTE MAXIMUM RATINGS:

MAXIMUM INPUT VOLTAGE: 16.0 Vdc
 MAXIMUM RELATIVE HUMIDITY: 90%

REV.	DESCRIPTION/ECO NO.	DATE
	ENGR. RELEASE TO CAD	7/2/04



WIRING DIAGRAM:



<p>METRIC THIRD ANGLE PROJECTION</p>	<p>DIMENSIONS ARE IN MILLIMETERS TOLERANCE UNLESS OTHERWISE SPECIFIED 1 PL +/- REF. 2 PL +/- ANGLE +/- 0</p>	<p>JKL COMPONENTS CORPORATION</p>			
	<p>TITLE 12V DC INPUT, SINGLE OUTPUT, DIMMING CCFL INVERTER</p>				
<p>DRAWN BY L. WENGSTROM</p>	<p>APPVD BY J.K.</p>	<p>DATE 7/2/04</p>	<p>SIZE A</p>	<p>FSCM NO. 55335</p>	<p>DRAWING NO. BXA-12594-5M</p>
<p>- CAD DRAWING - MANUAL REVISIONS NOT PERMITTED</p>			<p>SCALE NONE</p>	<p>RELEASED DATE 7/2/04</p>	<p>REVISION DATE</p>
				<p>REV. NO.</p>	<p>SHEET 1 OF 1</p>