



Chipsmall Limited consists of a professional team with an average of over 10 year of expertise in the distribution of electronic components. Based in Hongkong, we have already established firm and mutual-benefit business relationships with customers from,Europe,America and south Asia,supplying obsolete and hard-to-find components to meet their specific needs.

With the principle of “Quality Parts,Customers Priority,Honest Operation,and Considerate Service”,our business mainly focus on the distribution of electronic components. Line cards we deal with include Microchip,ALPS,ROHM,Xilinx,Pulse,ON,Everlight and Freescale. Main products comprise IC,Modules,Potentiometer,IC Socket,Relay,Connector.Our parts cover such applications as commercial,industrial, and automotives areas.

We are looking forward to setting up business relationship with you and hope to provide you with the best service and solution. Let us make a better world for our industry!



Contact us

Tel: +86-755-8981 8866 Fax: +86-755-8427 6832

Email & Skype: info@chipsmall.com Web: www.chipsmall.com

Address: A1208, Overseas Decoration Building, #122 Zhenhua RD., Futian, Shenzhen, China



PERFORMANCE SPECIFICATIONS:

DESCRIPTION	SYM	MIN	TYP	MAX	UNITS
INPUT VOLTAGE	V _{IN}	10.8	12.0	13.2	V DC
INPUT CURRENT	I _{IN}	---	720	---	MA DC
OUTPUT VOLTAGE	V _L	---	1000	---	V RMS
OUTPUT CURRENT	I _L	6.0	7.0	8.0	MA RMS
OSC. FREQUENCY	F _o	45.0	55.0	65.0	K HZ
PWM FREQUENCY	F _{PW}	435	455	475	HZ

TESTED WITH 2 EACH 3MM X 240MM LAMPS, AT 25°C, V_{IN}= 12.0V ± 0.1V.

OPERATING CHARACTERISTICS:

INPUT VOLTAGE RANGE: 10.8V DC TO 13.2V DC
 NOMINAL INPUT POWER: 10.0 WATTS
 OUTPUT DIMMING RANGE (R MODE): 40% TO 100%
 OPERATING TEMPERATURE RANGE: 0°C TO 60°
 STORAGE TEMPERATURE RANGE: -20°C TO 70°C

MATING CONNECTORS:

REF.	DESCRIPTION	PART NUMBER	MFG.
CN-1	INPUT HOUSING TERMINAL	51021-0700 50079-8000	MOLEX
CN-1	INPUT HARNESS	BXC-10630	JKL
CN-2 & CN-3	OUTPUT 1 & 2 HOUSING TERMINAL	BHR-03VS-1 SBH-001T-P0.5	JST
CN-2 & CN-3	OUTPUT 1 & 2 HARNESS	BXC-10643 (2 required)	JKL

CONTROL FUNCTIONS:

CNT (INPUT PIN 3) IS USED AS AN INHIBIT FUNCTION, "GND" OR "OPEN" EQUALS OFF. "+V" EQUALS ON.

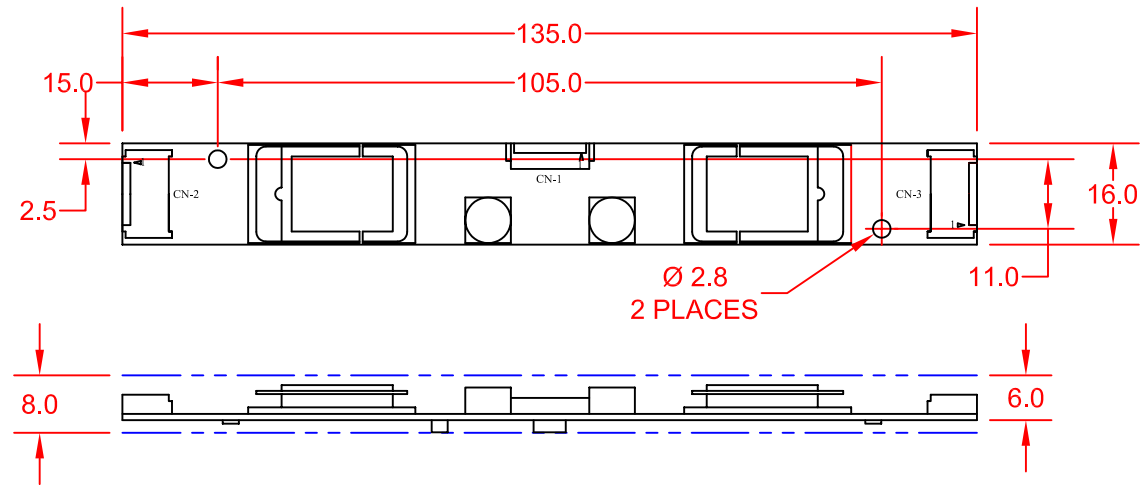
R MODE DIMMING: VR1 AND VR2 (INPUT PINS 1 AND 2) ARE USED TO PROVIDE, THE DIMMING FUNCTION, "0" OHMS EQUALS 100% LIGHT OUTPUT, "10K" OHMS EQUALS 40% LIGHT OUTPUT.

NOTE: THE SWITCH AND POTENTIOMETER SHOWN ON THE WIRING DIAGRAM ARE NOT A PART OF THE BXA-12613-7M INVERTER. THESE PARTS ARE AVAILABLE FROM MOST ELECTRONIC PARTS DISTRIBUTORS.

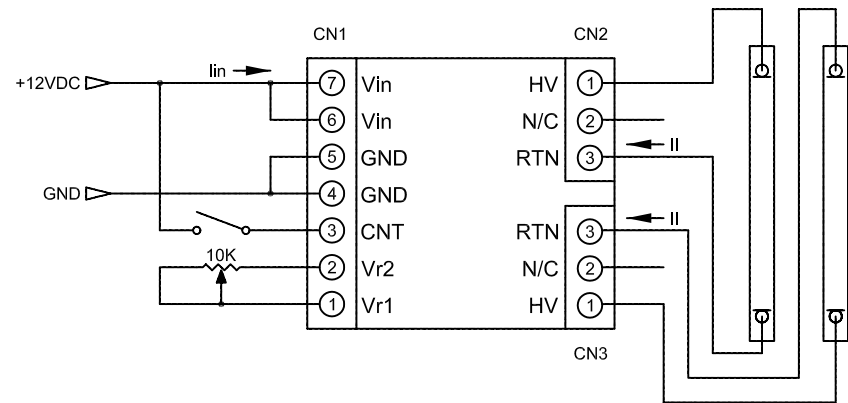
ABSOLUTE MAXIMUM RATINGS:

MAXIMUM INPUT VOLTAGE: 16.0 V_{DC}
 MAXIMUM RELATIVE HUMIDITY: 90%

REV.	DESCRIPTION/ECO NO.	DATE
	ENGR. RELEASE TO CAD	7/2/04



WIRING DIAGRAM:



METRIC		DIMENSIONS ARE IN MILLIMETERS		JKL COMPONENTS CORPORATION			
THIRD ANGLE PROJECTION		TOLERANCE UNLESS OTHERWISE SPECIFIED 1 PL +/- REF. 2 PL +/- ANGLE +/- 0		TITLE 12V DC INPUT, DUAL OUTPUT, DIMMING CCFL INVERTER			
DRAWN BY L. WENGSTROM	APPV'D BY J.K.	DATE 7/2/04	SIZE A	FSCM NO. 55335	DRAWING NO. BXA-12613-7M		
- CAD DRAWING - MANUAL REVISIONS NOT PERMITTED			SCALE NONE	RELEASED DATE 7/2/04	REVISION DATE	REV. NO.	SHEET 1 OF 1