



Chipsmall Limited consists of a professional team with an average of over 10 year of expertise in the distribution of electronic components. Based in Hongkong, we have already established firm and mutual-benefit business relationships with customers from,Europe,America and south Asia,supplying obsolete and hard-to-find components to meet their specific needs.

With the principle of “Quality Parts,Customers Priority,Honest Operation,and Considerate Service”,our business mainly focus on the distribution of electronic components. Line cards we deal with include Microchip,ALPS,ROHM,Xilinx,Pulse,ON,Everlight and Freescale. Main products comprise IC,Modules,Potentiometer,IC Socket,Relay,Connector.Our parts cover such applications as commercial,industrial, and automotives areas.

We are looking forward to setting up business relationship with you and hope to provide you with the best service and solution. Let us make a better world for our industry!



Contact us

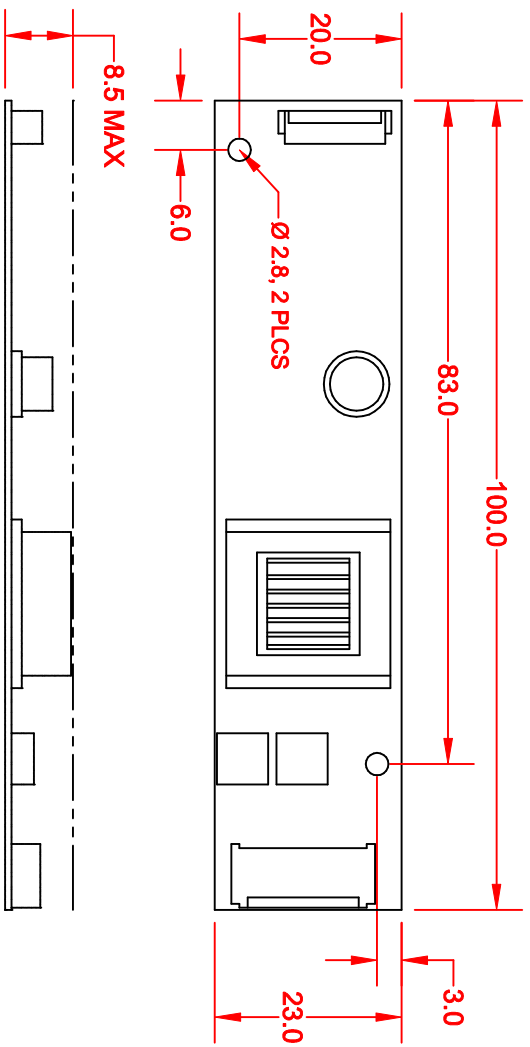
Tel: +86-755-8981 8866 Fax: +86-755-8427 6832

Email & Skype: info@chipsmall.com Web: www.chipsmall.com

Address: A1208, Overseas Decoration Building, #122 Zhenhua RD., Futian, Shenzhen, China



REV.	DESCRIPTION/ECO NO.	DATE
A	PRODUCTION RELEASE	10/3/99
B	ELECTRICAL CHANGES	3/10/04



PERFORMANCE SPECIFICATIONS:

DESCRIPTION	SYM	MIN	TYP	MAX	UNITS
INPUT VOLTAGE	VIN	10.8	12.0	13.2	V DC
INPUT CURRENT	IIN	---	320	800	MA DC
OUTPUT VOLTAGE	VL	1300	1500	---	V RMS
OUTPUT CURRENT (2X)	IL	5.0	5.5	6.0	MA RMS
OSC. FREQUENCY	Fo	37.0	47.0	57.0	K HZ
PWM FREQUENCY	FPW	435	455	475	HZ

TESTED WITH 2 EACH 3MM X 250MM LAMPS, AT 25°C, VIN= 12.0V ± 0.1V.

OPERATING CHARACTERISTICS:

INPUT VOLTAGE RANGE: 10.8 VDC TO 13.2 VDC
 NOMINAL INPUT POWER: 8.0 WATTS
 OUTPUT DIMMING RANGE (R MODE): 40% TO 100%
 OUTPUT DIMMING RANGE (V MODE): 20% TO 100%
 OPERATING TEMPERATURE RANGE: 0°C TO 60°C
 STORAGE TEMPERATURE RANGE: -20°C TO 70°C

ABSOLUTE MAXIMUM RATINGS:

MAXIMUM INPUT VOLTAGE: 15.0 VDC
 MAXIMUM RELATIVE HUMIDITY: 95%

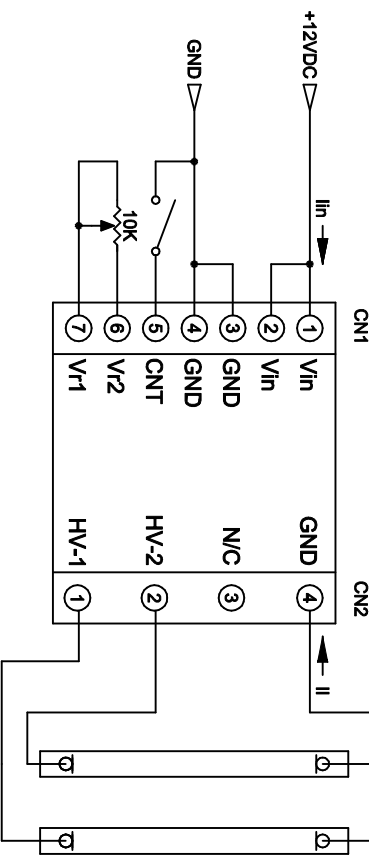
MATING CONNECTORS:

DESCRIPTION	REF	MFG	ON-BOARD	HOUSING	CONTACT
INPUT	CN1	MOLEX	53261-0790	51021-0700	50079-8000
OUTPUT	CN2	JST	SM04-4.0-B-BHS-1	BHR-04VS-1	SBH-001T-P0.5

CONNECTOR HARNESSSES

INPUT JKL PART NO.: BXC-10692L
 OUTPUT JKL PART NO.: BXC-10685

WIRING DIAGRAM:



CONTROL FUNCTIONS:

CNT (INPUT PIN 5) IS USED AS AN INHIBIT FUNCTION, "+V" OR "OPEN" EQUALS OFF. "GND" EQUALS ON.
 R MODE DIMMING: V1 AND V2 (INPUT PINS 6 AND 7) ARE USED TO PROVIDE, THE DIMMING FUNCTION, "0" OHMS EQUALS 100% LIGHT OUTPUT, "10K" OHMS EQUALS 40% LIGHT OUTPUT.
 V MODE DIMMING: V1 (INPUT PIN 7) IS USED TO PROVIDE, THE DIMMING FUNCTION, "0VDC" EQUALS 100% LIGHT OUTPUT, "2.0VDC" EQUALS 20% LIGHT OUTPUT.

NOTE: THE SWITCH AND POTENTIOMETER SHOWN ON THE WIRING DIAGRAM ARE NOT A PART OF THE BXA-12630-5.5M INVERTER. THESE ARE PARTS ARE AVAILABLE FROM MOST ELECTRONIC PARTS DISTRIBUTORS.

<p>THIRD ANGLE PROJECTION</p>	<p>METRIC DIMENSIONS ARE IN MILLIMETERS TOLERANCE UNLESS OTHERWISE SPECIFIED</p>	<p>JKL COMPONENTS CORPORATION</p>	
		<p>12 VDC INPUT, DUAL OUTPUT, DIMMING CCFL INVERTER</p>	
<p>DRAWN BY: L. WENGSTROM</p>	<p>APPR'D BY: L.W.</p>	<p>DATE: 3/10/04</p>	<p>DATE: 3/10/04</p>
<p>SCALE: NONE</p>	<p>SIZE: A</p>	<p>FORM NO.: 55335</p>	<p>REV. B</p>
<p>MANUAL REVISIONS NOT PERMITTED</p>	<p>DATE: 10/3/99</p>	<p>DATE: 3/10/04</p>	<p>SHEET 1 OF 1</p>