



Chipsmall Limited consists of a professional team with an average of over 10 year of expertise in the distribution of electronic components. Based in Hongkong, we have already established firm and mutual-benefit business relationships with customers from,Europe,America and south Asia,supplying obsolete and hard-to-find components to meet their specific needs.

With the principle of “Quality Parts,Customers Priority,Honest Operation,and Considerate Service”,our business mainly focus on the distribution of electronic components. Line cards we deal with include Microchip,ALPS,ROHM,Xilinx,Pulse,ON,Everlight and Freescale. Main products comprise IC,Modules,Potentiometer,IC Socket,Relay,Connector.Our parts cover such applications as commercial,industrial, and automotives areas.

We are looking forward to setting up business relationship with you and hope to provide you with the best service and solution. Let us make a better world for our industry!



Contact us

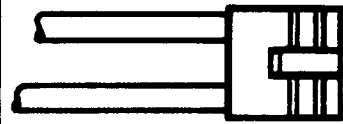
Tel: +86-755-8981 8866 Fax: +86-755-8427 6832

Email & Skype: info@chipsmall.com Web: www.chipsmall.com

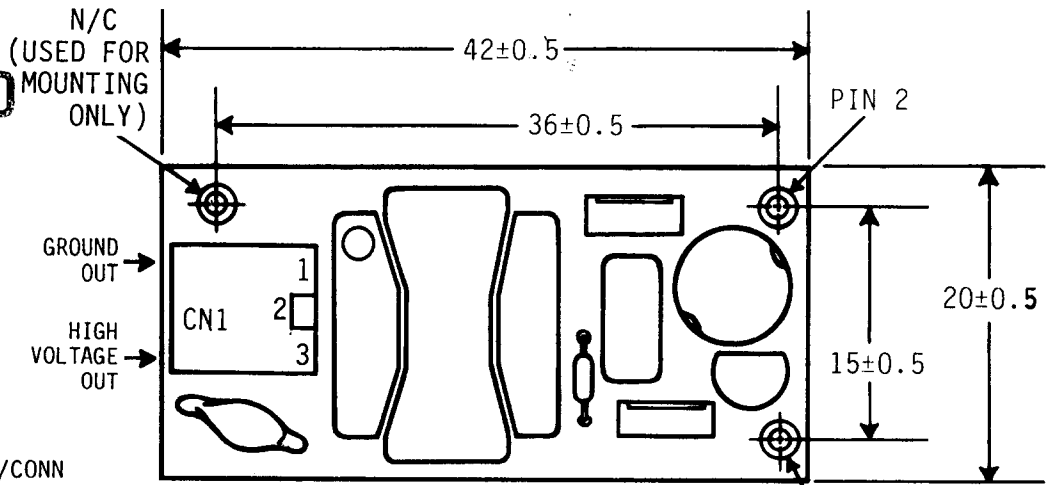
Address: A1208, Overseas Decoration Building, #122 Zhenhua RD., Futian, Shenzhen, China



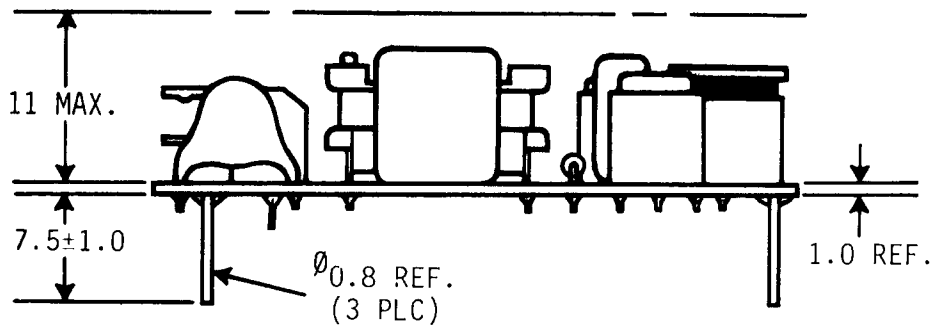
UNCONTROLLED COPY



CONNECTOR HARNESS
(JKL PART NO.: BXA-12552/CONN)



INVERTER
(JKL PART NO.: BXA-501/INV)



(PARTS LAYOUT FOR REFERENCE ONLY)

CHARACTERISTICS	MIN	TYP	MAX
INPUT VOLTAGE: (vdc)	4.5	5.0	5.5
INPUT CURRENT: (mA)	---	200	400
OUTPUT VOLTAGE: (Vrms)	600	700	800
OUTPUT CURRENT: (mA)	4.0	5.0	6.0
OUTPUT FREQUENCY: (kHz)	30	45	60
OPERATING TEMP: (CELSIUS)	0	25	50

CN1	PIN #	(TO LAMP)
	1	OUT GROUND
	2	N/C
	3	HIGH V

BOARD	PIN #	(INPUT)
	1	+V (Vin)
	2	V (GND)

MECHANICAL DIMENSIONS ARE
IN MILLIMETERS.

FOR INVERTER AND CONNECTOR ORDER
JKL PART NO.: BXA-501/KIT.

TITLE		DRAWING NUMBER		REVISION	
5V POWER SUPPLY		BXA-501/KIT		B	
	13343 Paxton Street Pacoima, CA 91331	RELEASE DATE 7/22/98	DRAWN BY LEN	APPROVED BY	
	COMPONENTS CORPORATION (818) 896-0019	SIZE A	FSCM 55335	SCALE 2X	PAGE 1 OF 1