



Chipsmall Limited consists of a professional team with an average of over 10 year of expertise in the distribution of electronic components. Based in Hongkong, we have already established firm and mutual-benefit business relationships with customers from,Europe,America and south Asia,supplying obsolete and hard-to-find components to meet their specific needs.

With the principle of “Quality Parts,Customers Priority,Honest Operation,and Considerate Service”,our business mainly focus on the distribution of electronic components. Line cards we deal with include Microchip,ALPS,ROHM,Xilinx,Pulse,ON,Everlight and Freescale. Main products comprise IC,Modules,Potentiometer,IC Socket,Relay,Connector.Our parts cover such applications as commercial,industrial, and automotives areas.

We are looking forward to setting up business relationship with you and hope to provide you with the best service and solution. Let us make a better world for our industry!



## Contact us

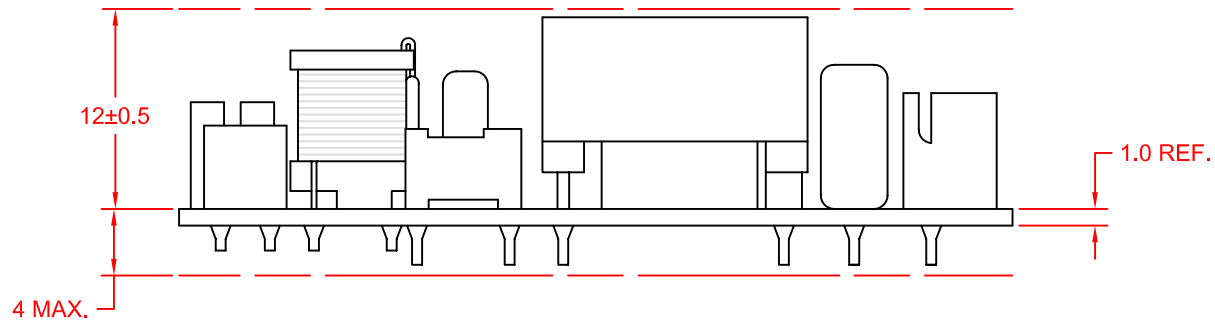
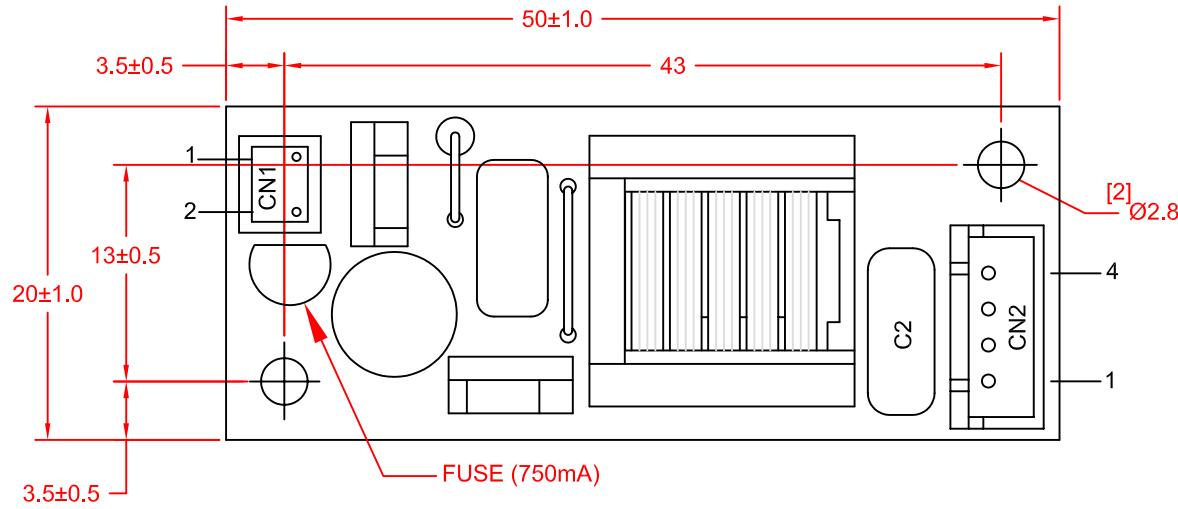
Tel: +86-755-8981 8866 Fax: +86-755-8427 6832

Email & Skype: info@chipsmall.com Web: www.chipsmall.com

Address: A1208, Overseas Decoration Building, #122 Zhenhua RD., Futian, Shenzhen, China



REV.	DESCRIPTION/ECO NO.	DATE
	RELEASE AND CANCEL	2/7/03
	BXA503/KIT & BXA-503/INV	
A	OUTPUT CURRENT TO SINGLE	9/21/06
B	RoHS COMPLIANT RATINGS	4/4/08



NO.	PIN NUMBER	JKL MATING WIRE HARNESS
CN1	1 INPUT (GND)	BXC-10574
	2 INPUT (+V)	
CN2	1 OUTPUT (HV1)	BXC-10585
	2 NO CONNECTION	
	3	
	4 OUT LAMP (GND)	

**OPERATING SPECIFICATIONS**

CHARACTERISTICS	MIN	TYP	MAX
INPUT VOLTAGE: (vdc)	4.5	5.0	7.0
INPUT CURRENT: (mA)	390	450	510
OUTPUT VOLTAGE: (Vrms)	-	1000	-
OUTPUT CURRENT: (mA)	4.0	5.0	6.0
OUTPUT FREQUENCY: (kHz)	33	38	43
OPERATING TEMP: (CELSIUS)	0	25	50
STORAGE TEMP: (CELSIUS)	-20	-	70

**NOTE:**  
MATING CONNECTORS ARE NOT INCLUDED WITH INVERTER.  
JKL WIRE HARNESS BXC-10574 AND BXC-10585 CAN BE ORDERED SEPARATELY.

RoHS COMPLIANT PRODUCT.

**JKL PART NUMBER: BXA-503**

<b>METRIC</b>  THIRD ANGLE PROJECTION	DIMENSIONS ARE IN MILLIMETERS TOLERANCE UNLESS OTHERWISE SPECIFIED 1 PL +/- 0.3 2 PL +/- ANGLE +/- 0	<b>JKL COMPONENTS CORPORATION</b>			
	TITLE <b>CCFL SINGLE OUTPUT INVERTER</b>				
DRAWN BY L. WENGSTROM	APP'VD BY L.R.	DATE 4/4/08	SIZE <b>A</b>	FSCM NO. <b>55335</b>	DRAWING NO. <b>BXA-503</b>
- CAD DRAWING - MANUAL REVISIONS NOT PERMITTED			SCALE <b>NONE</b>	RELEASED DATE <b>2/7/03</b>	REVISION DATE <b>4/4/08</b>
				REV. NO. <b>B</b>	SHEET OF