



Chipsmall Limited consists of a professional team with an average of over 10 year of expertise in the distribution of electronic components. Based in Hongkong, we have already established firm and mutual-benefit business relationships with customers from,Europe,America and south Asia,supplying obsolete and hard-to-find components to meet their specific needs.

With the principle of "Quality Parts,Customers Priority,Honest Operation,and Considerate Service",our business mainly focus on the distribution of electronic components. Line cards we deal with include Microchip,ALPS,ROHM,Xilinx,Pulse,ON,Everlight and Freescale. Main products comprise IC,Modules,Potentiometer,IC Socket,Relay,Connector.Our parts cover such applications as commercial,industrial, and automotives areas.

We are looking forward to setting up business relationship with you and hope to provide you with the best service and solution. Let us make a better world for our industry!



Contact us

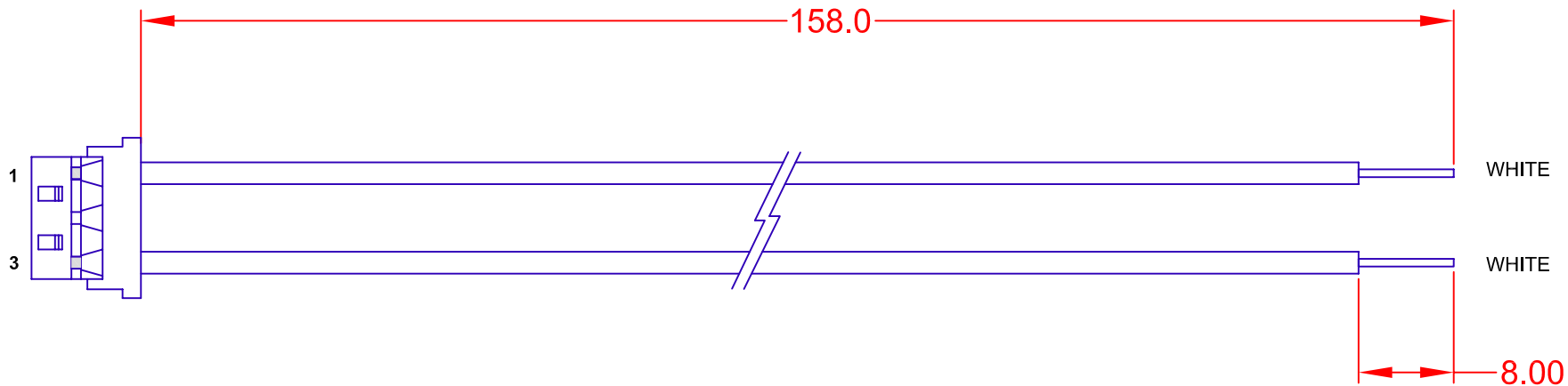
Tel: +86-755-8981 8866 Fax: +86-755-8427 6832

Email & Skype: info@chipsmall.com Web: www.chipsmall.com

Address: A1208, Overseas Decoration Building, #122 Zhenhua RD., Futian, Shenzhen, China



REV.	DESCRIPTION/ECO NO.	DATE
	RELEASE & CANCEL BXA-12562/CONN2	2/26/03
A	ADD RoHS NOTE, WIRE, CONTACT	2/9/07

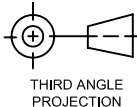


PIN	WIRE TYPE	AWG	COLOR
1	UL 3613	22	WHT
2	NC		
3	UL 3613	22	WHT

JKL PART NO.: BXC-10567

NOTES:

1. HOUSING QZ-19-3F01 (HONDA)
2. CONTACT QZ-19-F114A (HONDA)
3. RoHS COMPLIANCE
(CONTACT JKL FOR RoHS LOT IDENTIFICATION)

METRIC  THIRD ANGLE PROJECTION	DIMENSIONS ARE IN MILLIMETERS	JKL COMPONENTS CORPORATION TITLE OUTPUT CONNECTOR HARNESS					
	TOLERANCE UNLESS OTHERWISE SPECIFIED 1 PL +/- 4.0 2 PL +/- 0.50 ANGLE +/- 0					SIZE A	
DRAWN BY L. WENGSTROM	APPV'D BY L.R.	DATE 2/9/07	SCALE NONE	RELEASED DATE 2/26/03	REVISION DATE 2/9/07	REV. NO. A	SHEET 1 OF 1
- CAD DRAWING - MANUAL REVISIONS NOT PERMITTED							