



Chipsmall Limited consists of a professional team with an average of over 10 year of expertise in the distribution of electronic components. Based in Hongkong, we have already established firm and mutual-benefit business relationships with customers from,Europe,America and south Asia,supplying obsolete and hard-to-find components to meet their specific needs.

With the principle of “Quality Parts,Customers Priority,Honest Operation,and Considerate Service”,our business mainly focus on the distribution of electronic components. Line cards we deal with include Microchip,ALPS,ROHM,Xilinx,Pulse,ON,Everlight and Freescale. Main products comprise IC,Modules,Potentiometer,IC Socket,Relay,Connector.Our parts cover such applications as commercial,industrial, and automotives areas.

We are looking forward to setting up business relationship with you and hope to provide you with the best service and solution. Let us make a better world for our industry!



Contact us

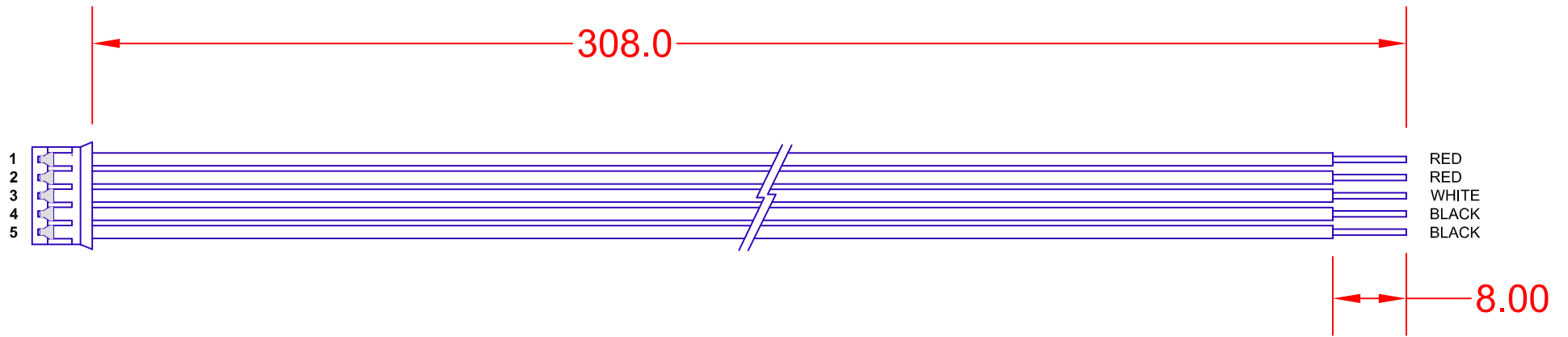
Tel: +86-755-8981 8866 Fax: +86-755-8427 6832

Email & Skype: info@chipsmall.com Web: www.chipsmall.com

Address: A1208, Overseas Decoration Building, #122 Zhenhua RD., Futian, Shenzhen, China



REV.	DESCRIPTION/ECO NO.	DATE
	RELEASED & CANCEL BXA-12580/CONN	1/11/02
A	DRAWING IN CAD	7/16/02
B	LENGTH 300.0 TO 308.0	1/4/07
C	ADD RoHS NOTE	2/13/07



PIN	WIRE TYPE	AWG	COLOR
1	UL 1007LF	24	RED
2	UL 1007LF	24	RED
3	UL 1007LF	24	WHT
4	UL 1007LF	24	BLK
5	UL 1007LF	24	BLK

JKL PART NO.: BXC-10605

NOTES:

1. HOUSING PHR-5 (JST)
2. CONTACT SPH-002T-P0.5 (JST)
3. RoHS COMPLIANCE
(CONTACT JKL FOR RoHS LOT IDENTIFICATION)

METRIC		DIMENSIONS ARE IN MILLIMETERS		JKL COMPONENTS CORPORATION				
 THIRD ANGLE PROJECTION		TOLERANCE UNLESS OTHERWISE SPECIFIED 1 PL +/- 4.0 2 PL +/- 0.50 ANGLE +/- 0		TITLE				
				INPUT CONNECTOR HARNESS				
DRAWN BY	APPV'D BY	DATE	SIZE	FSCM NO.	DRAWING NO.	BXC-10605		
L. WENGSTROM	L.R.	2/13/07	A	55335				
- CAD DRAWING - MANUAL REVISIONS NOT PERMITTED			SCALE	NONE	RELEASED DATE	1/11/02	REVISION DATE	2/13/07
					REV. NO.	C	SHEET	1 OF 1