



Chipsmall Limited consists of a professional team with an average of over 10 year of expertise in the distribution of electronic components. Based in Hongkong, we have already established firm and mutual-benefit business relationships with customers from,Europe,America and south Asia,supplying obsolete and hard-to-find components to meet their specific needs.

With the principle of “Quality Parts,Customers Priority,Honest Operation,and Considerate Service”,our business mainly focus on the distribution of electronic components. Line cards we deal with include Microchip,ALPS,ROHM,Xilinx,Pulse,ON,Everlight and Freescale. Main products comprise IC,Modules,Potentiometer,IC Socket,Relay,Connector.Our parts cover such applications as commercial,industrial, and automotives areas.

We are looking forward to setting up business relationship with you and hope to provide you with the best service and solution. Let us make a better world for our industry!



## Contact us

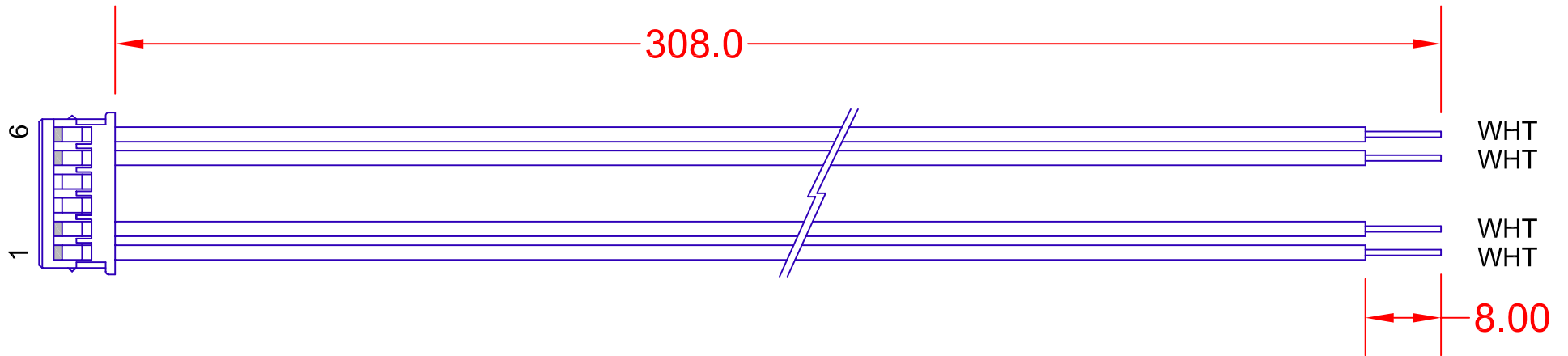
Tel: +86-755-8981 8866 Fax: +86-755-8427 6832

Email & Skype: info@chipsmall.com Web: www.chipsmall.com

Address: A1208, Overseas Decoration Building, #122 Zhenhua RD., Futian, Shenzhen, China



REV.	DESCRIPTION/ECO NO.	DATE
	RELEASED	7/3/01
A	ADD RoHS NOTE	4/27/06
B	CHNG WIRE TYPE FOR RoHS	2/16/07



PIN	WIRE TYPE	AWG	COLOR
1	UL 3613	24	WHT
2	UL 3613	24	WHT
3	NC		
4	NC		
5	UL 3613	24	WHT
6	UL 3613	24	WHT

JKL PART NO.: BXC-10655

NOTES:

- HOUSING M63M83-06 (MITSUMI)
- CONTACT M63C84-1 (MITSUMI)
- RoHS COMPLIANCE  
(CONTACT JKL FOR RoHS LOT IDENTIFICATION)

METRIC		DIMENSIONS ARE IN MILLIMETERS		JKL COMPONENTS CORPORATION				
 THIRD ANGLE PROJECTION		TOLERANCE UNLESS OTHERWISE SPECIFIED 1 PL +/- 4.0 2 PL +/- 0.50 ANGLE +/- 0		TITLE				
				OUTPUT CONNECTOR HARNESS				
DRAWN BY	APPV'D BY	DATE	SIZE	FSCM NO.	DRAWING NO.	BXC-10655		
L. WENGSTROM	L. R.	2/16/07	A	55335				
- CAD DRAWING - MANUAL REVISIONS NOT PERMITTED			SCALE	NONE	RELEASED DATE	7/3/01	REVISION DATE	2/16/07
					REV. NO.	B	SHEET	1 OF 1