



Chipsmall Limited consists of a professional team with an average of over 10 year of expertise in the distribution of electronic components. Based in Hongkong, we have already established firm and mutual-benefit business relationships with customers from,Europe,America and south Asia,supplying obsolete and hard-to-find components to meet their specific needs.

With the principle of “Quality Parts,Customers Priority,Honest Operation,and Considerate Service”,our business mainly focus on the distribution of electronic components. Line cards we deal with include Microchip,ALPS,ROHM,Xilinx,Pulse,ON,Everlight and Freescale. Main products comprise IC,Modules,Potentiometer,IC Socket,Relay,Connector.Our parts cover such applications as commercial,industrial, and automotives areas.

We are looking forward to setting up business relationship with you and hope to provide you with the best service and solution. Let us make a better world for our industry!



Contact us

Tel: +86-755-8981 8866 Fax: +86-755-8427 6832

Email & Skype: info@chipsmall.com Web: www.chipsmall.com

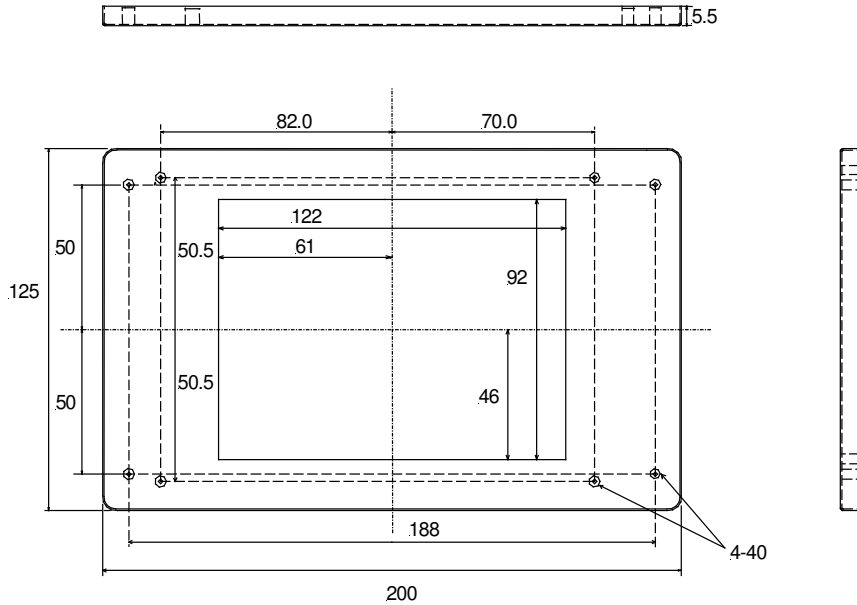
Address: A1208, Overseas Decoration Building, #122 Zhenhua RD., Futian, Shenzhen, China



Amulet BZ-AOB5 Bezel

Use this template (reverse side) when installing the bezel & module into a Cabinet, housing, or wall cavity.

Contact DevSupport@Amulettechnologies.com for further information



Material : Steel
Finish : Grey Powder Coat
Dimensions in mm

The Information contained in this document is proprietary to Amulet Technologies LLC (Amulet). It must not be reproduced, disclosed to any third party, or used for any purpose not authorized by Amulet. Upon Amulet's request, you will return to Amulet all copies of this document.

Rev. A 5-11-05
0360-0003-01