



Chipsmall Limited consists of a professional team with an average of over 10 year of expertise in the distribution of electronic components. Based in Hongkong, we have already established firm and mutual-benefit business relationships with customers from,Europe,America and south Asia,supplying obsolete and hard-to-find components to meet their specific needs.

With the principle of “Quality Parts,Customers Priority,Honest Operation,and Considerate Service”,our business mainly focus on the distribution of electronic components. Line cards we deal with include Microchip,ALPS,ROHM,Xilinx,Pulse,ON,Everlight and Freescale. Main products comprise IC,Modules,Potentiometer,IC Socket,Relay,Connector.Our parts cover such applications as commercial,industrial, and automotives areas.

We are looking forward to setting up business relationship with you and hope to provide you with the best service and solution. Let us make a better world for our industry!



Contact us

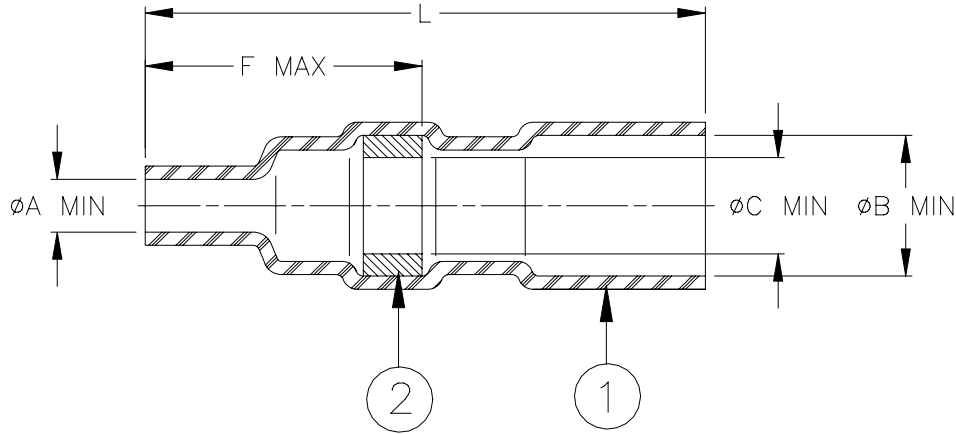
Tel: +86-755-8981 8866 Fax: +86-755-8427 6832

Email & Skype: info@chipsmall.com Web: www.chipsmall.com

Address: A1208, Overseas Decoration Building, #122 Zhenhua RD., Futian, Shenzhen, China



SPECIFICATION CONTROL DRAWING



Product Revision		Product Dimensions					Usable Wire Gauge	
Product Name		L ±1.25 (.050)	F max	ØA min	ØB min	ØC min	"Y" Splice	End Splice
C-110-0059	E	15.25 (.600)	8.0 (.315)	1.0 (.040)	2.8 (.110)	2.3 (.090)	22 - 30	20 - 26

MATERIALS

1. INSULATION SLEEVE: Heat-shrinkable, transparent blue, radiation cross-linked modified polyvinylidene fluoride.
2. SOLDER PREFORM WITH FLUX:
 - SOLDER: TYPE Sn63 per ANSI J-STD-006.
 - FLUX: TYPE ROM1 per ANSI J-STD-004.

APPLICATION

1. The parts covered by this SCD are for use in splicing tin or silverplated solid conductors of the sizes listed. Conductors are to be twisted and trimmed to 5.0 (0.20) to 6.3 (0.25) length. All lead insulations exit from top end of sleeve.
2. Parts will meet the requirements of AT&T Specification KS-21256L3 and Raychem Specification RT-1404 when installed per Raychem Installation Procedure RPIP-823-00.
3. Temperature rating: -55°C to +125°C.

 307 Constitution Drive Menlo Park, CA 94025		Wire and Harnessing Products	TITLE: KS21256-L3 Soldersleeve Device				
UNLESS OTHERWISE SPECIFIED DIMENSIONS ARE IN MILLIMETERS. INCHES DIMENSIONS ARE BETWEEN BRACKETS.			DOCUMENT NO.: C-110-0059				
TOLERANCES: 0.00 N/A 0.0 N/A 0 N/A	ANGLES: N/A ROUGHNESS IN MICRON	Raychem reserves the right to amend this drawing at any time. Users should evaluate the suitability of the product for their application.	DCR NUMBER: D010005		REPLACES: D980612		
DRAWN BY: M. FORONDA	DATE: 18-Jan.-01	PROD. REV. See table	DOC ISSUE: 2	SCALE: None	SIZE: A	SHEET: 1 of 1	

If this document is printed it becomes uncontrolled. Check for the latest revision.