



Chipsmall Limited consists of a professional team with an average of over 10 year of expertise in the distribution of electronic components. Based in Hongkong, we have already established firm and mutual-benefit business relationships with customers from,Europe,America and south Asia,supplying obsolete and hard-to-find components to meet their specific needs.

With the principle of “Quality Parts,Customers Priority,Honest Operation,and Considerate Service”,our business mainly focus on the distribution of electronic components. Line cards we deal with include Microchip,ALPS,ROHM,Xilinx,Pulse,ON,Everlight and Freescale. Main products comprise IC,Modules,Potentiometer,IC Socket,Relay,Connector.Our parts cover such applications as commercial,industrial, and automotives areas.

We are looking forward to setting up business relationship with you and hope to provide you with the best service and solution. Let us make a better world for our industry!



Contact us

Tel: +86-755-8981 8866 Fax: +86-755-8427 6832

Email & Skype: info@chipsmall.com Web: www.chipsmall.com

Address: A1208, Overseas Decoration Building, #122 Zhenhua RD., Futian, Shenzhen, China



PART NAME SLOPING PANEL PRESTIGE CABINET

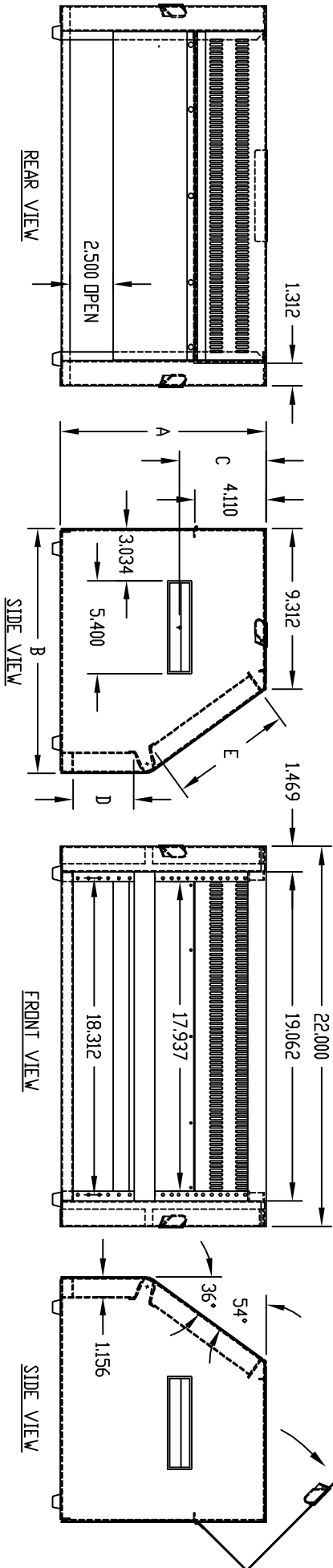
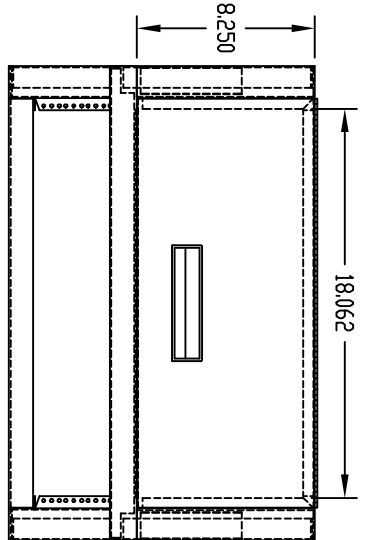
PART No.

C-1555 & C-1557

MATERIAL:
 BOTTOM, SIDES, BACK, MOUNTING _____
 RAILS & CROSS BARS _____ 16 GA. STEEL
 TOP _____ 18 GA. STEEL
 HANDLES _____ PLASTIC
 FEET _____ PLASTIC

FINISH:
 BODY ASSEMBLY, TOP & CROSS BAR _____ METALLIC GRAY
 FEET & HANDLES _____ BLACK

MOUNTING RAILS ARE RECESSED 1156 & TAPPED
 #10-32 ON E.I.A. UNIVERSAL SPACING.



PART No.	A	B	C	PANEL SPACE		
				D	E	
C-1555	11,906	14,187	5,000	3,500	7,000	
C-1557	14,781	16,250	5,000	3,500	10,500	

BOTTOM VIEW

