



Chipsmall Limited consists of a professional team with an average of over 10 year of expertise in the distribution of electronic components. Based in Hongkong, we have already established firm and mutual-benefit business relationships with customers from,Europe,America and south Asia,supplying obsolete and hard-to-find components to meet their specific needs.

With the principle of “Quality Parts,Customers Priority,Honest Operation,and Considerate Service”,our business mainly focus on the distribution of electronic components. Line cards we deal with include Microchip,ALPS,ROHM,Xilinx,Pulse,ON,Everlight and Freescale. Main products comprise IC,Modules,Potentiometer,IC Socket,Relay,Connector.Our parts cover such applications as commercial,industrial, and automotives areas.

We are looking forward to setting up business relationship with you and hope to provide you with the best service and solution. Let us make a better world for our industry!



## Contact us

Tel: +86-755-8981 8866 Fax: +86-755-8427 6832

Email & Skype: info@chipsmall.com Web: www.chipsmall.com

Address: A1208, Overseas Decoration Building, #122 Zhenhua RD., Futian, Shenzhen, China



## User's Guide

# C-25-0104

# VFD

(Vacuum Fluorescent Character Display Module)

---

For product support, contact

New haven Display International  
2511 Technology Drive #101  
Elgin , IL 601 24  
Tel: (847) 8 44-8795 Fax: (847) 8 44-8796

October 31, 2006

# Vacuum Fluorescent Display Specification

**PART NUMBER:** C-25-0104


**FEATURES:** 2 Digits – Seven Segmented

**APPLICATION:** Automotive- Temp Control- HVac

**RATINGS:** Below

<b>Outer Dimensions</b>	Panel Length	P.L.	100.0	mm	
	Panel Height	P.H.	25.0	mm	
	Panel Thickness	P.T.	6.1	mm	
<b>Leads</b>	Lead Pitch	L.P.	2.54	mm	
	Lead Out	-	DIL		
<b>Character Size</b>	Character Height	C.H.	-	mm	
	Character Width	C.W.	-	mm	
<b>Item</b>	<b>Symbol</b>	<b>Min.</b>	<b>Recommended</b>	<b>Max.</b>	<b>Unit</b>
<b>Filament Voltage</b>	Ef	2.88	3.20	3.52	Vdc
<b>Peak Grid Voltage</b>	ec	10.5	12.5	15.0	Vdc
<b>Peak Anode Voltage</b>	eb	10.5	12.5	15.0	Vdc
<b>Duty Cycle</b>	Du	-	-	-	-
<b>Pulse Width</b>	tp	-	-	-	-
<b>Operating Temperature</b>	Top	-40	-	+ 80	C
<b>Storage Temperature</b>	Tstg	-55	-	+ 85	C
<b>Color of Illumination</b>	Green				

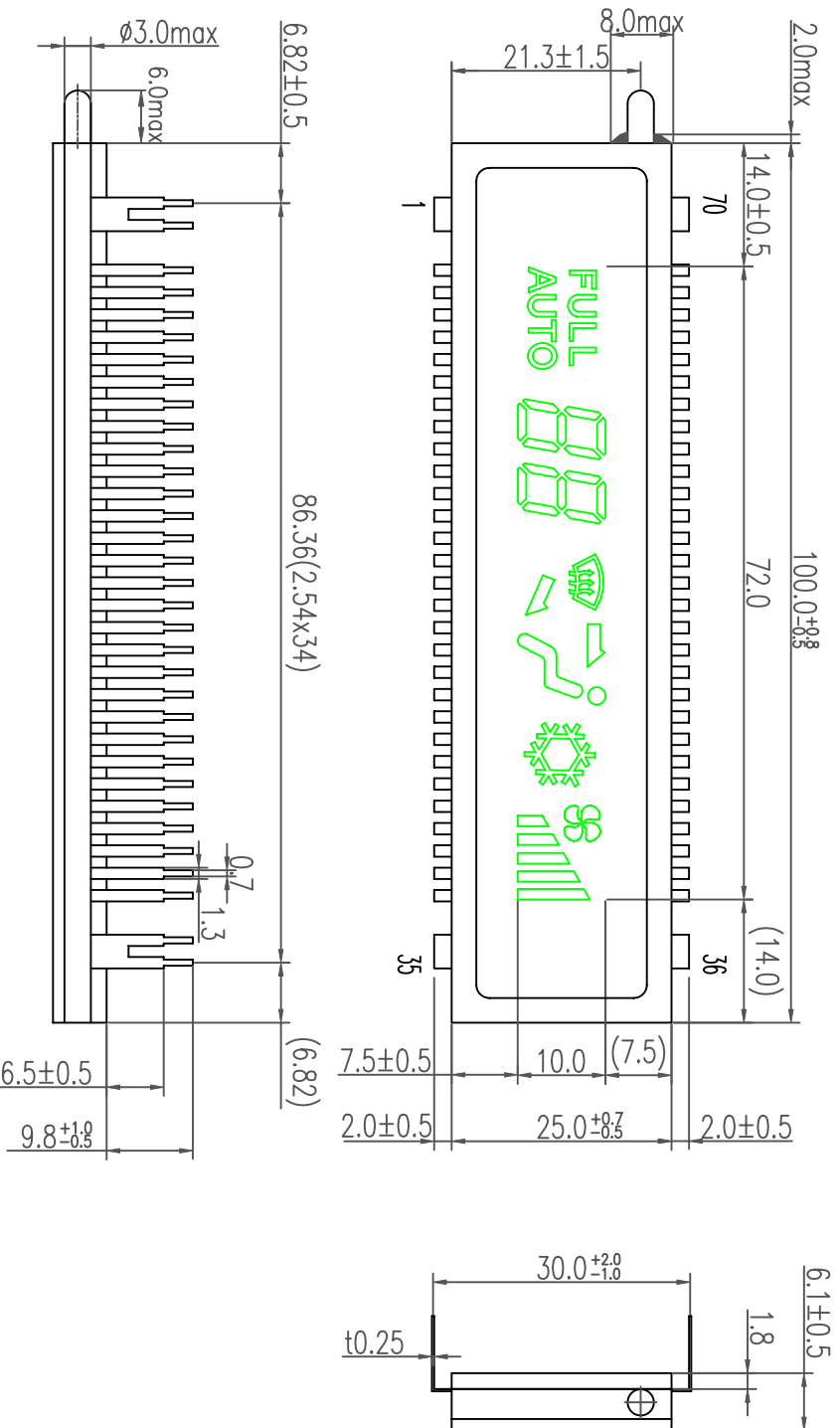
**Electrical  
Characteristics**

Item	Symbol	Test Condition	Min.	Typical	Max.	Unit
<b>Filament Current</b>	lf -	Ef = 3.2 Vdc eb = ec = 0	167.0 -	185.0 -	204.0 -	mAdc -
<b>Anode Current</b>	ib / S4,S5,S8, B1~B5 ib/ S1,S2,S3, S6,S7 ib/  - -	Ef = 3.2 Vdc eb = 12.5 Vdc ec = 12.5 Vdc	-	.85	1.5	mAdc
			-	1.7	2.9	mAdc
			-	1.8	3.0	mAdc
			-	-	-	-
			-	-	-	-
<b>Grid Current</b>	ic /G - - - -		-	26.0	45.0	mAdc
			-	-	-	-
			-	-	-	-
			-	-	-	-
			-	-	-	-
<b>Luminance</b>	L(G) - -		1450 (423)	2900 (846)	-	cd/m <sup>2</sup> /fL
			-	-	-	cd/m <sup>2</sup> /fL
			-	-	-	cd/m <sup>2</sup> /fL
<b>Luminance Ratio</b>	Lmin/Lmax		50	-	-	%
<b>Grid Cut-off Voltage</b>	Ecco	Ef = 3.2 Vdc Eb = 12.5 Vdc	-0	-	-	Vdc
<b>Anode Cut-off Voltage</b>	Ebco	Ef = 3.2 Vdc ec = 12.5 Vdc	-0	-	-	Vdc

**DRIVE MODE: Dynamic State**

附图 1：外形图 Outline Drawing (Unit:mm)

型号 Type No.: VFD25-0104

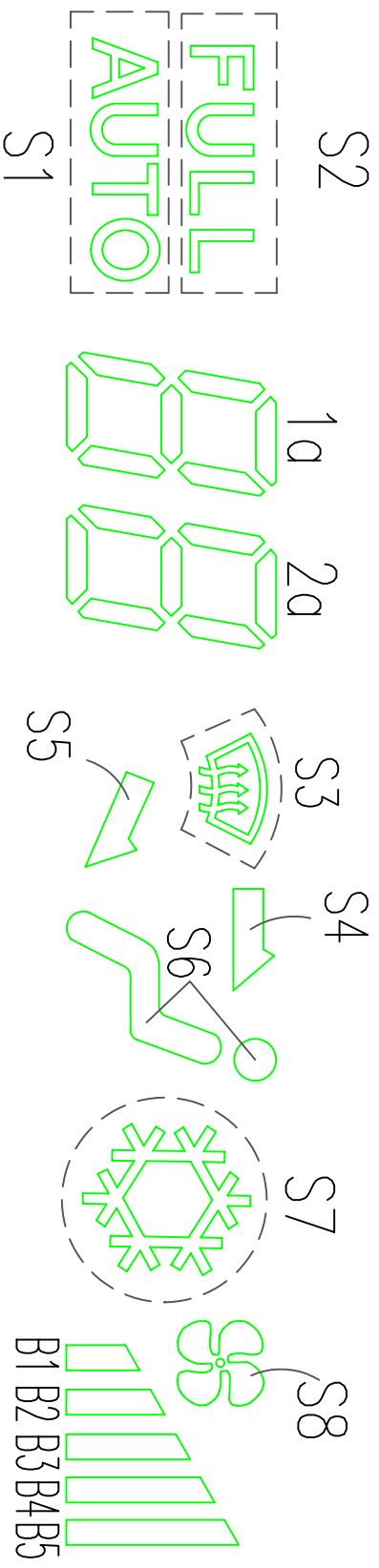


管脚连接 (PIN CONNECTION)

端子序号 (PIN NO.)	70	69	68	53-67	52	51	50	49	48	47	46	45	44	43	42	41	40	39	38	37	36			
连接 (CONNECTION)	F(-)	F(-)	Np	NC	S1	S2	S3	S4	S5	S6	S7	S8	B1	B2	B3	B4	B5	IC	Np	F(+)	F(+)			
端子序号 (PIN NO.)	1	2	3	4	5	6	7	8	9	10	11	12	13	14	15	16	17	18-30	31	32	33	34	35	
连接 (CONNECTION)	F(-)	F(-)	Np	1a	1b	1c	1d	1e	1f	1g	2a	2b	2c	2d	2e	2f	2g	2h	2i	2j	2k	2l	2m	2n

注 F: 火线 (Filament) G: 栅极 (Grid) NP: 无引脚 (No Pin) NC: 无连接 (No Connection)  
IC: (Internal connection)

附图2: 显示内容 Display Pattern



显示颜色: (color of illumination)

绿色 (Green):(x=0.250,y=0.440) 全部 All the patterns

