



Chipsmall Limited consists of a professional team with an average of over 10 year of expertise in the distribution of electronic components. Based in Hongkong, we have already established firm and mutual-benefit business relationships with customers from,Europe,America and south Asia,supplying obsolete and hard-to-find components to meet their specific needs.

With the principle of “Quality Parts,Customers Priority,Honest Operation,and Considerate Service”,our business mainly focus on the distribution of electronic components. Line cards we deal with include Microchip,ALPS,ROHM,Xilinx,Pulse,ON,Everlight and Freescale. Main products comprise IC,Modules,Potentiometer,IC Socket,Relay,Connector.Our parts cover such applications as commercial,industrial, and automotives areas.

We are looking forward to setting up business relationship with you and hope to provide you with the best service and solution. Let us make a better world for our industry!



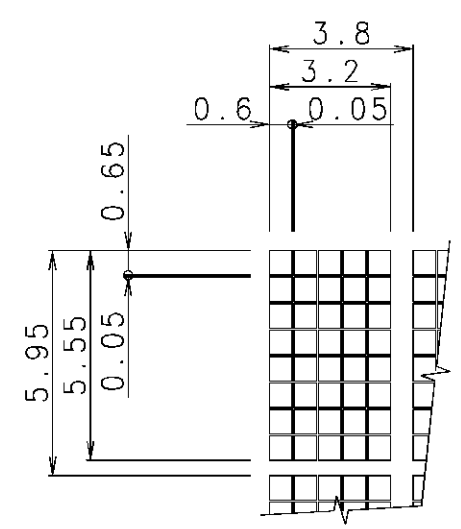
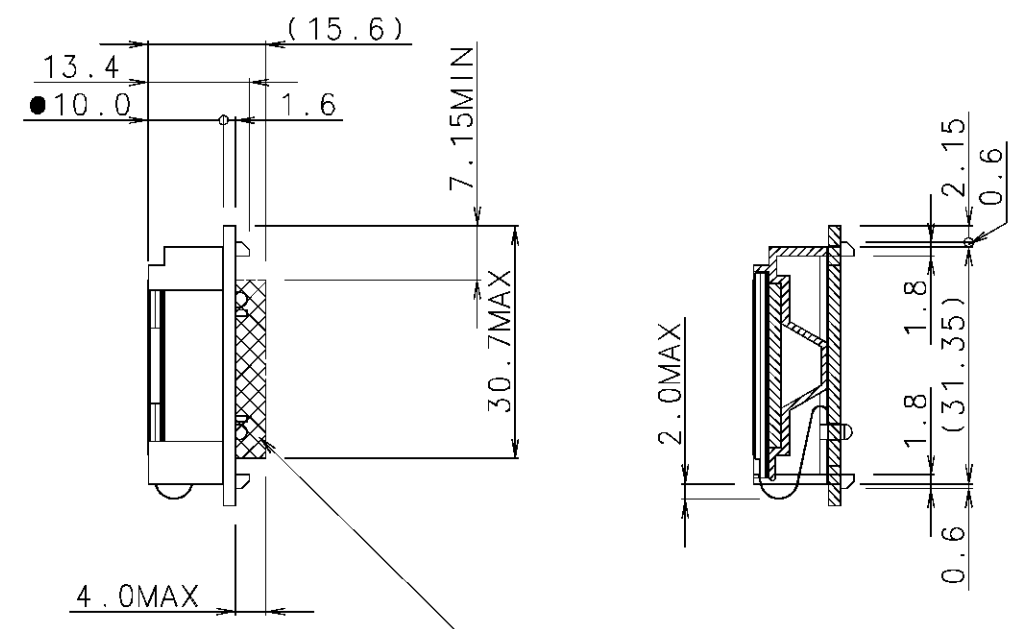
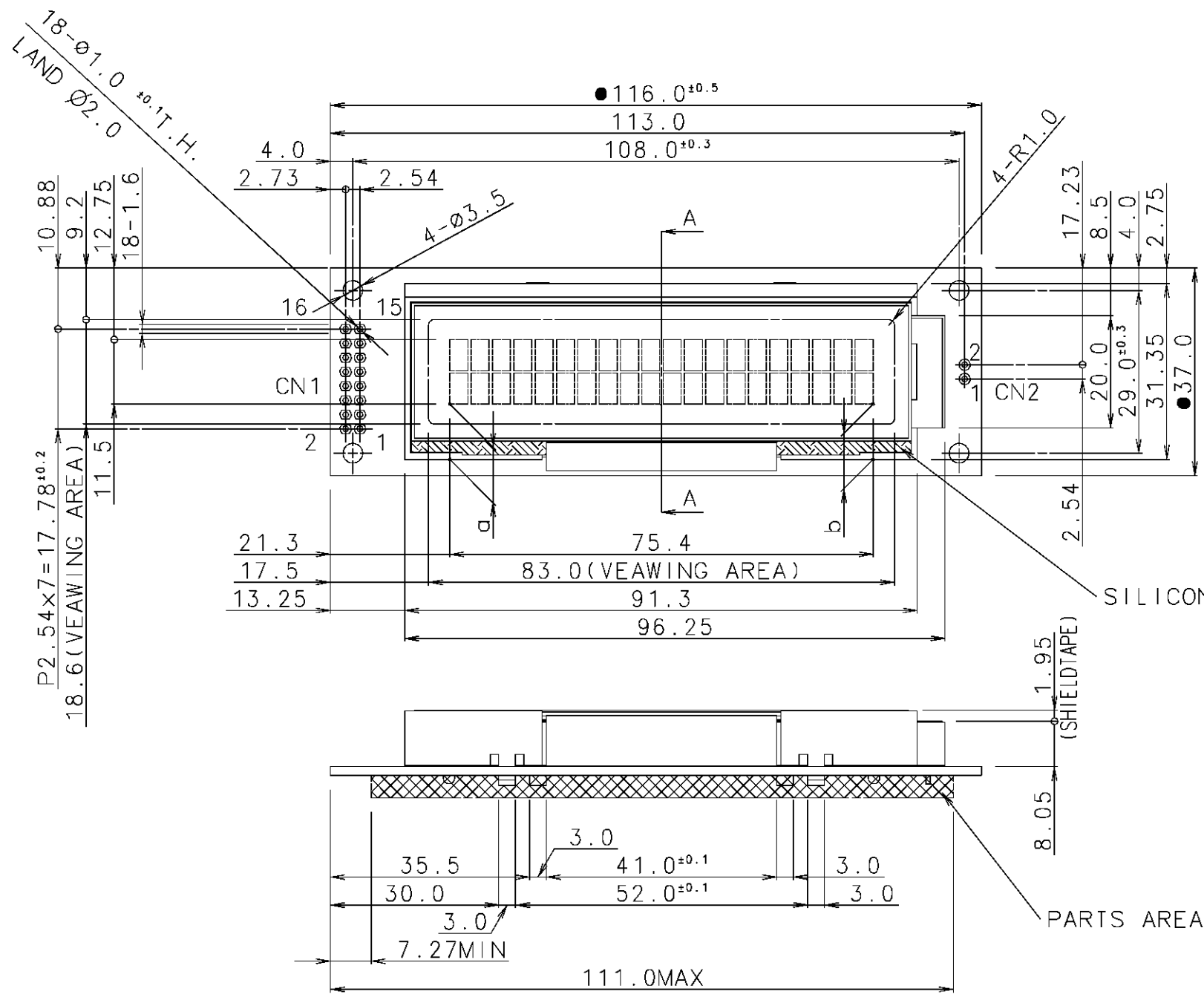
Contact us

Tel: +86-755-8981 8866 Fax: +86-755-8427 6832

Email & Skype: info@chipsmall.com Web: www.chipsmall.com

Address: A1208, Overseas Decoration Building, #122 Zhenhua RD., Futian, Shenzhen, China





DOT DETAIL (SCALE 10:1)

NOTE
 1. THE DIMENSIONS WITH THE MARK (●) ARE CONTROLLED AS A PARTICULAR CHARACTERISTIC.
 2. $|a-b| \leq 0.7$ (DISPLAY SKEW)
 3. DO NOT USE THE MATERIALS WHICH ARE PROHIBITED BY RoHS.

PIN ASSIGNMENT

CN1		CN2	
NO.	SYMBOL	NO.	SYMBOL
1	LED(A)	9	DB0
2	LED(K)	10	DB1
3	VSS	11	DB2
4	VCC	12	DB3
5	VEE	13	DB4
6	RS	14	DB5
7	R/W	15	DB6
8	E	16	DB7

LIGHT EMITTED	LED CIRCUIT
WHITE	
GREEN	
BLUE	
RED	

TOLERANCE			MATERIAL:	FINISH:	
MEASURE	A	B	DATE	THIRD ANGLE PROJECTION	
L ≤ 16	±0.1	±0.3	2005/11/18	SCALE	
16 < L ≤ 63	±0.2	±0.5	APPROVED	1:1	UNIT
63 < L ≤ 250	±0.3	±0.8	Toshiyuki Okamoto	mm	DATE
250 < L ≤ 500	±0.5	±1.2	CHECKED	NOV. 11'05	DSCN
500 < L	±0.8	±2	Takashi Yuchi	A. Hattanda	DWG NO (CODE)
ANGLE	±1°	±5°	DRAWN	Akiko Hattanda	C-51505 AJ base
		±10°			DWG SIZE
					A3
					DWG REV

OPTREX CORPORATION

TITLE
DIMENSIONAL OUTLINE

DWG NO (CODE)
C-51505 AJ base

DWG SIZE
A3

DWG REV