



Chipsmall Limited consists of a professional team with an average of over 10 year of expertise in the distribution of electronic components. Based in Hongkong, we have already established firm and mutual-benefit business relationships with customers from,Europe,America and south Asia,supplying obsolete and hard-to-find components to meet their specific needs.

With the principle of “Quality Parts,Customers Priority,Honest Operation,and Considerate Service”,our business mainly focus on the distribution of electronic components. Line cards we deal with include Microchip,ALPS,ROHM,Xilinx,Pulse,ON,Everlight and Freescale. Main products comprise IC,Modules,Potentiometer,IC Socket,Relay,Connector.Our parts cover such applications as commercial,industrial, and automotives areas.

We are looking forward to setting up business relationship with you and hope to provide you with the best service and solution. Let us make a better world for our industry!



## Contact us

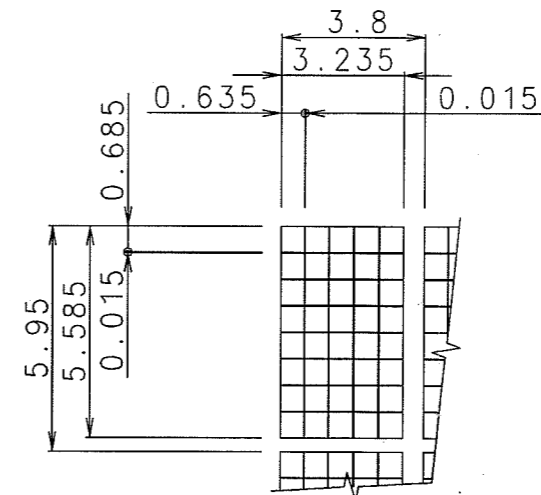
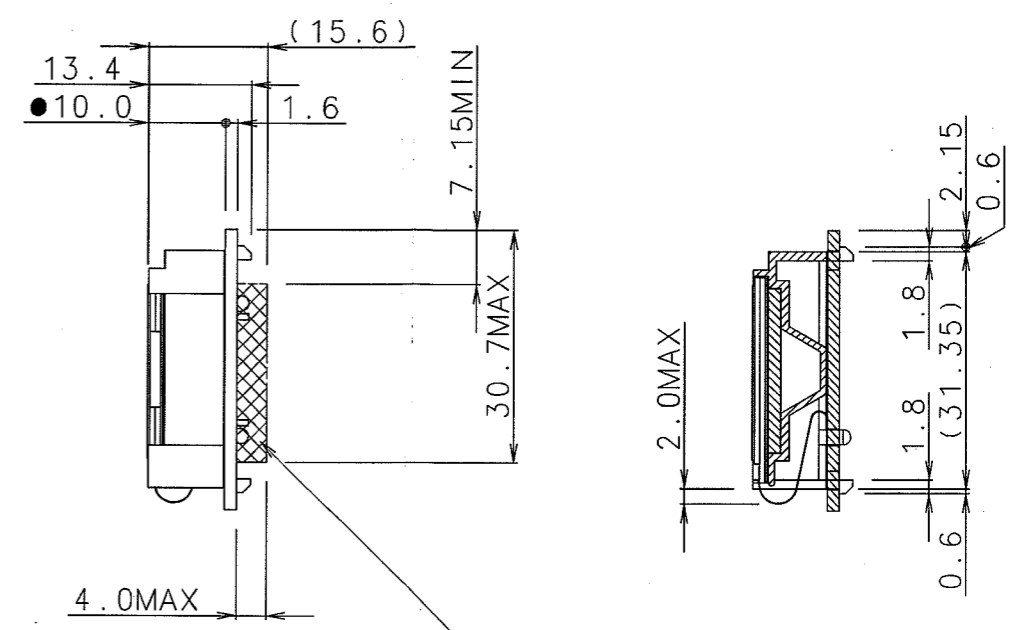
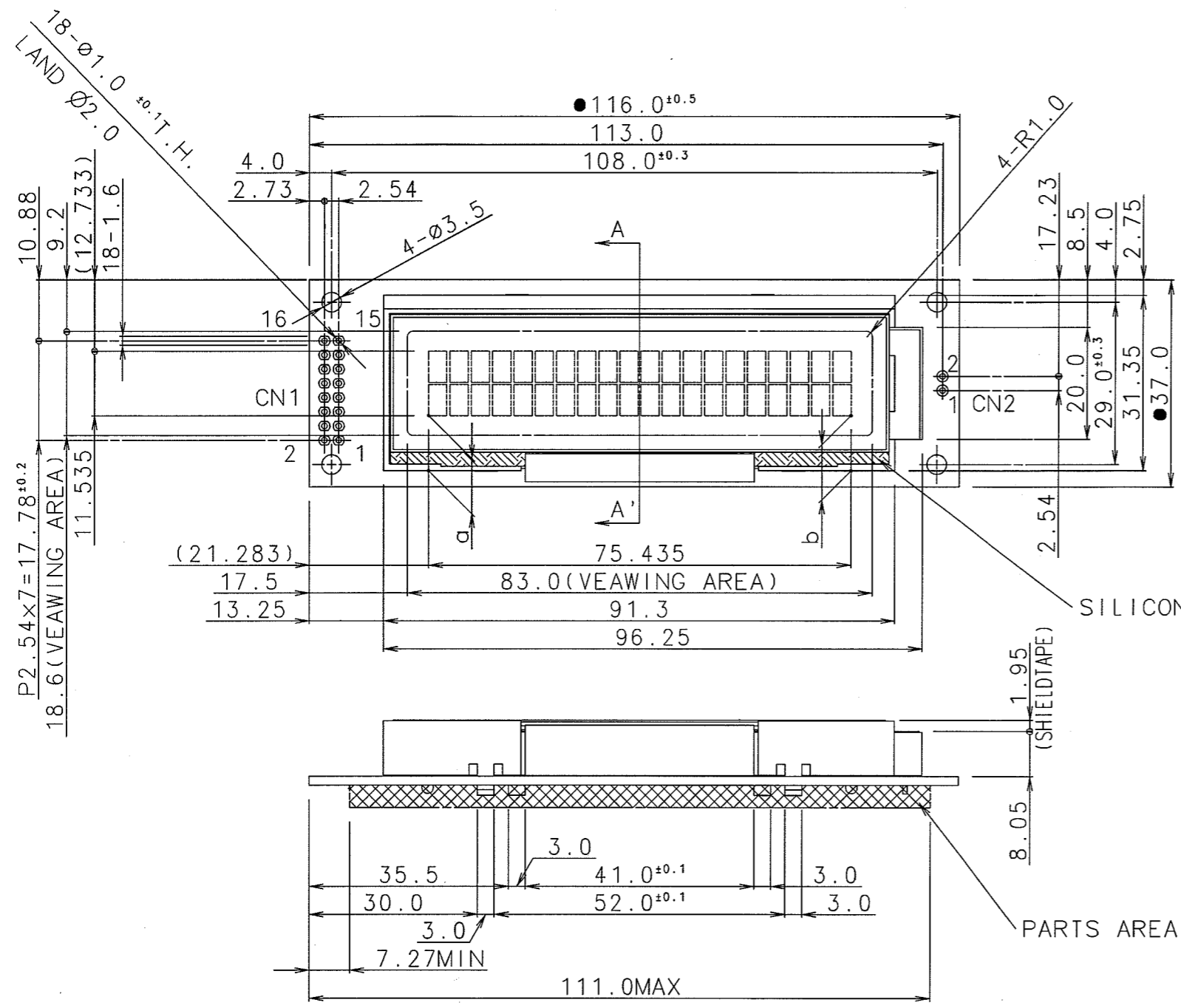
Tel: +86-755-8981 8866 Fax: +86-755-8427 6832

Email & Skype: info@chipsmall.com Web: www.chipsmall.com

Address: A1208, Overseas Decoration Building, #122 Zhenhua RD., Futian, Shenzhen, China

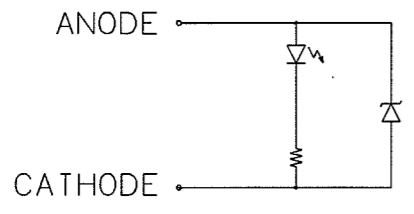


ISSUE	REVISIONS	DRAWN	DATE
△			



DOT DETAIL (SCALE 10:1)

NOTE  
 1. THE DIMENSIONS WITH THE MARK (●) ARE CONTROLLED AS A PARTICULAR CHARACTERISTIC.  
 2.  $1a-b \leq 0.7$  (DISPLAY SKEW)  
 3. DO NOT USE THE MATERIALS WHICH ARE PROHIBITED BY RoHS.



LED CIRCUIT

PIN ASSIGNMENT

CN1		CN2	
NO.	SYMBOL	NO.	SYMBOL
1	LED(A)	9	DB0
2	LED(K)	10	DB1
3	VSS	11	DB2
4	VCC	12	DB3
5	VEE	13	DB4
6	RS	14	DB5
7	R/W	15	DB6
8	E	16	DB7

TOLERANCE			
MEASURE	A	B	C
$L \leq 16$	$\pm 0.1$	$\pm 0.3$	$\pm 1$
$16 < L \leq 63$	$\pm 0.2$	$\pm 0.5$	$\pm 1.5$
$63 < L \leq 250$	$\pm 0.3$	$\pm 0.8$	$\pm 2$
$250 < L \leq 500$	$\pm 0.5$	$\pm 1.2$	$\pm 3$
$500 < L$	$\pm 0.8$	$\pm 2$	$\pm 4$
ANGLE	$\pm 1^\circ$	$\pm 5^\circ$	$\pm 10^\circ$

MATERIAL:		FINISH:	
DATE 2005/09/01	THIRD ANGLE PROJECTION	<b>OPTREX CORPORATION</b>	
APPROVED Masami Motohashi	SCALE UNIT 1:1 mm		
CHECKED Yutaka Takada	DATE Feb.28'05	TITLE <b>DIMENSIONAL OUTLINE</b>	
DRAWN Jia Hong	DSGN H. TONY	DWG NO(CODE) C-51505 AH base	DWG REV
		DWG SIZE A3	