



Chipsmall Limited consists of a professional team with an average of over 10 year of expertise in the distribution of electronic components. Based in Hongkong, we have already established firm and mutual-benefit business relationships with customers from,Europe,America and south Asia,supplying obsolete and hard-to-find components to meet their specific needs.

With the principle of “Quality Parts,Customers Priority,Honest Operation,and Considerate Service”,our business mainly focus on the distribution of electronic components. Line cards we deal with include Microchip,ALPS,ROHM,Xilinx,Pulse,ON,Everlight and Freescale. Main products comprise IC,Modules,Potentiometer,IC Socket,Relay,Connector.Our parts cover such applications as commercial,industrial, and automotives areas.

We are looking forward to setting up business relationship with you and hope to provide you with the best service and solution. Let us make a better world for our industry!



Contact us

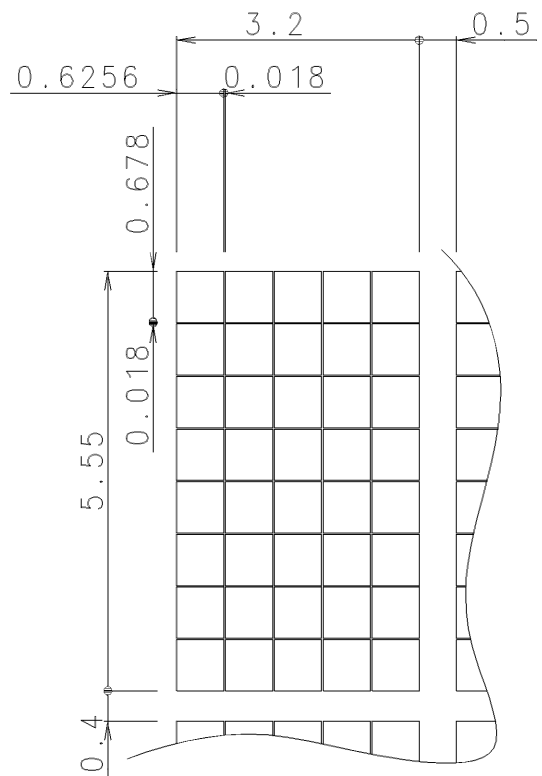
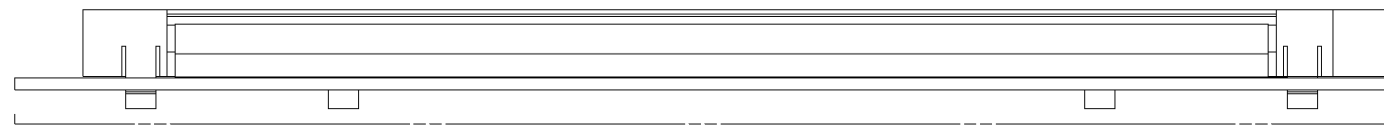
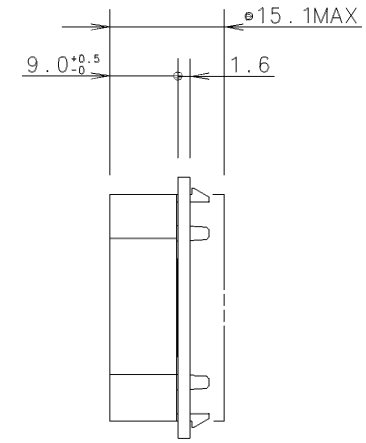
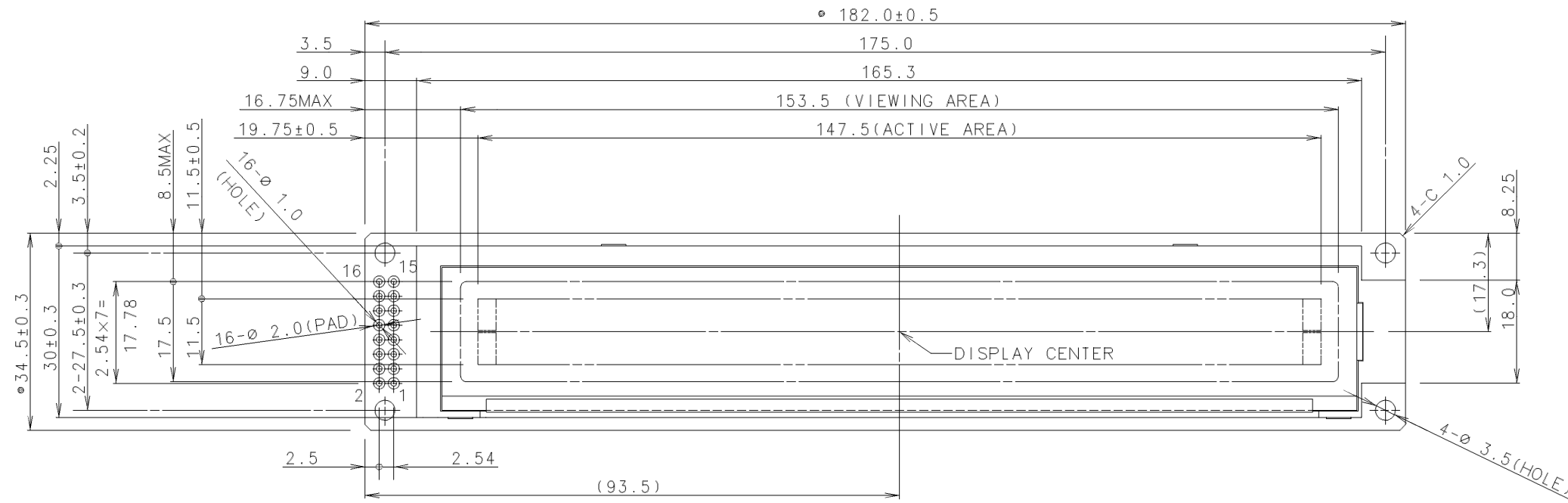
Tel: +86-755-8981 8866 Fax: +86-755-8427 6832

Email & Skype: info@chipsmall.com Web: www.chipsmall.com

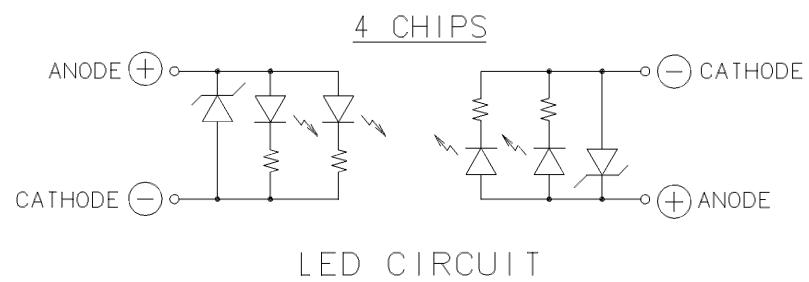
Address: A1208, Overseas Decoration Building, #122 Zhenhua RD., Futian, Shenzhen, China



ISSUE	REVISIONS	DRAWN	APPROVED	DATE
△				



DOT DETAIL S=10:1



PIN ASSIGNMENT	
PIN No.	SYMBOL
1	VSS
2	VCC
3	VEE
4	RS
5	R/W
6	E
7	DB0
8	DB1
9	DB2
10	DB3
11	DB4
12	DB5
13	DB6
14	DB7
15	LED +A
16	LED -K

NOTES

- DO NOT USE MATERIALS WHICH ARE PROHIBITED BY ROHS.
- THE DIMENSIONS WITH THE MARK (•) ARE CONTROLLED AS A PARTICULAR CHARACTERISTIC.

MEASURE	TOLERANCE			THIRD ANGLE PROJECTION	DATE Feb.25'05	OPTREX CORPORATION
	A	B	C			
L≤16	±0.1	±0.3	±1	UNIT	APPROVED M.MOTOHASHI	TITLE DIMENSIONAL OUTLINE
16<L≤63	±0.2	±0.5	±1.5	mm	CHECKED M.MINAMI	CODE C-51850AD base
63<L≤250	±0.3	±0.8	±2	SCALE	DRAWN ERASA	DWG NO. UE-312357
250<L≤500	±0.5	±1.2	±3	1:1		
500<L	±0.8	±2	±4			
ANGLE	±1°	±5°	±10°			