



Chipsmall Limited consists of a professional team with an average of over 10 year of expertise in the distribution of electronic components. Based in Hongkong, we have already established firm and mutual-benefit business relationships with customers from,Europe,America and south Asia,supplying obsolete and hard-to-find components to meet their specific needs.

With the principle of “Quality Parts,Customers Priority,Honest Operation,and Considerate Service”,our business mainly focus on the distribution of electronic components. Line cards we deal with include Microchip,ALPS,ROHM,Xilinx,Pulse,ON,Everlight and Freescale. Main products comprise IC,Modules,Potentiometer,IC Socket,Relay,Connector.Our parts cover such applications as commercial,industrial, and automotives areas.

We are looking forward to setting up business relationship with you and hope to provide you with the best service and solution. Let us make a better world for our industry!



Contact us

Tel: +86-755-8981 8866 Fax: +86-755-8427 6832

Email & Skype: info@chipsmall.com Web: www.chipsmall.com

Address: A1208, Overseas Decoration Building, #122 Zhenhua RD., Futian, Shenzhen, China



HALOGEN FREE

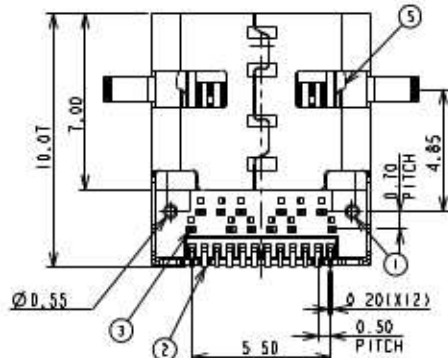
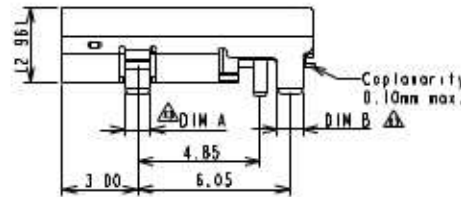
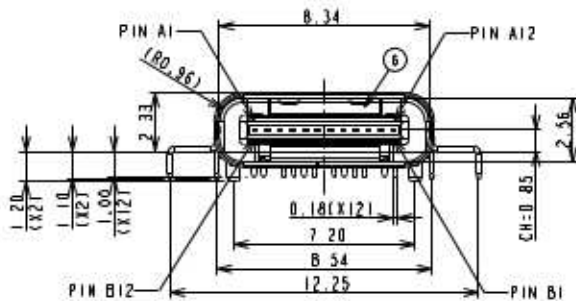
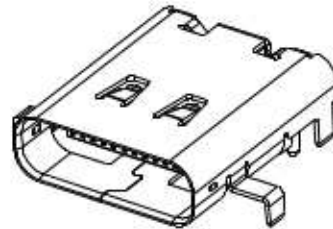
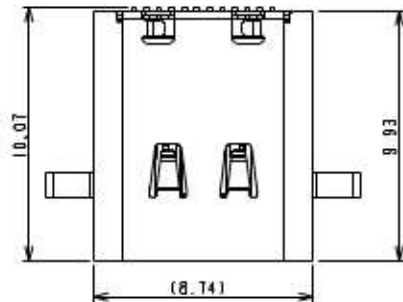


TABLE B: PIN ASSIGNMENT

PIN NO.	A1	A2	A3	A4	A5	A6	A7	A8	A9	A10	A11	A12
SIGNAL NAME	GND	SSTxp1	SSTXn1	VBUS	CC1	Dp1	Dn1	SBU1	VBUS	SSRXn2	SSRXp2	GND
PIN NO.	B12	B11	B10	B9	B8	B7	B6	B5	B4	B3	B2	B1
SIGNAL NAME	GND	SSRXp1	SSRXn1	VBUS	SBU2	D+1	D-1	CC2	VBUS	SSTXn2	SSTXp2	GND

REV.	ECN	DESCRIPTION	DATE	DRAWN	CHECKED	APPROVED
X5	SZECR14228-04	△XS, AXI, NX1, DX1	04/21/15	XD	ROGER	ROGER
X6	SZECR14228-05	△X1, NX1	09/10/15	Rbl, Jk	Alan, Tzai	

TABLE A: PRODUCT NUMBERING CODE

C-AR20- A K 5 1 X
 ① ② ③ ④ ⑤ ⑥

1 CONNECTOR TYPE:
 AR20: USB TYPE-C RECP R/A CONN

2. NO. OF POSITION:
 A: 24 POSITIONS.

3 COLOR OF INSULATOR:
 K: BLACK.

4. PLATING OF CONTACT:
 1: GOLD FLASH ON CONTACT AREA.
 5 Au 30u" PLATING ON CONTACT AREA

5. PLATING OF FRONT SHELL
 1: SOLDERING NICKEL

6. SHELL TYPE & PACKAGE:
 0: SEE TABLE C & TAPE REEL
 1: SEE TABLE C & TAPE REEL

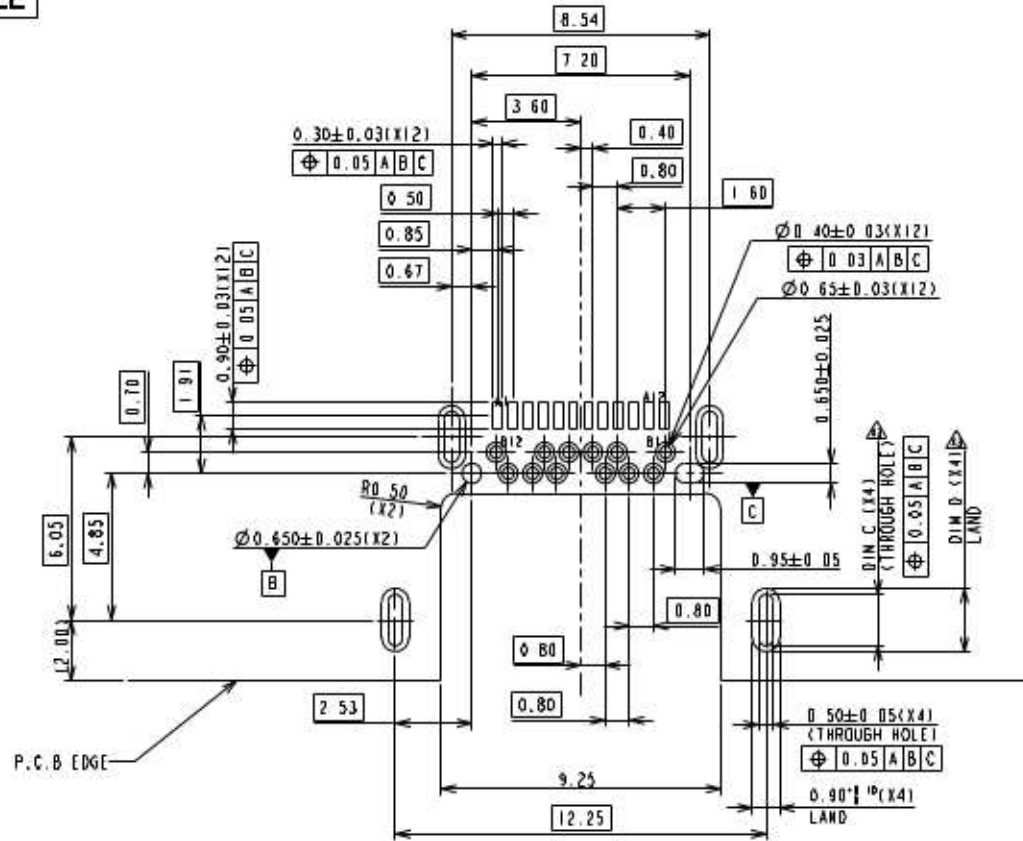
TABLE C: SHELL TYPE

PRODUCT NUMBERING	DIM A	DIM B	DIM C	DIM D
C-AR20-AK510	1.00	1.00	1.40±0.05	1.80 ^{+0.10} ₋₀
C-AR20-AK511	1.30	1.30	1.70±0.05	2.10 ^{+0.10} ₋₀

ITEM	NAME	Q'TY	PART #	MATERIAL / FINISH
6	EMI RING	2	H-AR20-EOXXX	METAL / Ni PLATED
5	GROUND PLATE	1	H-AR20-BOXXX	METAL / Ni PLATED
4	SHELL	1	S-AR20-IOXXX	METAL / Ni PLATED
3	DOWN-CONTACT	12	T-AR20-DOXXX	COPPER ALLOY / Au PLATED
2	UP-CONTACT	12	T-AR20-UOXXX	COPPER ALLOY / Au PLATED
1	HALF PRODUCT	2	AR20-ANXXX	HI-TEMP, G.F., UL94V-0

ITEM	NAME	Q'TY	PART #	MATERIAL / FINISH																					
<table border="1"> <tr> <td>TECHNICAL DRAFTER</td> <td>DATE</td> <td rowspan="4"> CnC Tech, LLC USB 2.0 TYPE-C CONN. RECEPTACLE - W/D MOUNT TYPE </td> </tr> <tr> <td>GENERAL ENG.</td> <td>07/23/14</td> </tr> <tr> <td>DESIGNER</td> <td>DATE</td> </tr> <tr> <td>AVEN</td> <td>07/23/14</td> </tr> <tr> <td>SCALE</td> <td>5:1</td> <td>ROGER</td> <td>07/23/14</td> </tr> <tr> <td>SHEET</td> <td>1 OF 2</td> <td>ROGER</td> <td>07/23/14</td> </tr> <tr> <td>UNIT</td> <td>MM</td> <td colspan="2">C-AR20-AK510</td> </tr> </table>				TECHNICAL DRAFTER	DATE	CnC Tech, LLC USB 2.0 TYPE-C CONN. RECEPTACLE - W/D MOUNT TYPE	GENERAL ENG.	07/23/14	DESIGNER	DATE	AVEN	07/23/14	SCALE	5:1	ROGER	07/23/14	SHEET	1 OF 2	ROGER	07/23/14	UNIT	MM	C-AR20-AK510		SERIES AR20 SERIES DWG NO C-AR20-00-00 REV. X6
TECHNICAL DRAFTER	DATE	CnC Tech, LLC USB 2.0 TYPE-C CONN. RECEPTACLE - W/D MOUNT TYPE																							
GENERAL ENG.	07/23/14																								
DESIGNER	DATE																								
AVEN	07/23/14																								
SCALE	5:1	ROGER	07/23/14																						
SHEET	1 OF 2	ROGER	07/23/14																						
UNIT	MM	C-AR20-AK510																							

HALOGEN FREE



RECOMMENDED PCB LAYOUT
THICKNESS IS 0.9mm
TOLERANCE ± 0.05
(TOP VIEW)

NOTES

- 1.0. ELECTRICAL CHARACTERISTICS.
- 1.1. LOW LEVEL CONTACT RESISTANCE:
INITIAL: 40mΩ FOR ALL CONTACT MAX.
AFTER : 10mΩ MAX. CHANGE
- 1.2. DIELECTRIC WITHSTANDING VOLTAGE:
100 VAC FOR 1 MINUTE SEA LEVEL.
- 1.3. INSULATION RESISTANCE:
100MΩ MIN
- 1.4. CURRENT RATING:
VBUS AND GND CONTACTS RATED AT 1.25A EA
PARALLELED FOR A TOTAL OF 5A
- 2.0 MECHANICAL CHARACTERISTICS:
- 2.1 INSERTION FORCE: 20N MAX
- 2.2. EXTRACTION FORCE: 8N MIN, 20 N MAX.
- 2.3 DURABILITY: 10,000 CYCLES
- 3.0 OPERATING TEMPERATURE: -55°C TO +85°C

DESIGNED BY AVEN	DATE 07/23/14	CnC Tech, LLC
CHECKED BY AVEN	DATE 07/23/14	
SCALE 4:1	APPROVED BY ROGER	TITLE USB 2.0 TYPE-C CONN. RECEPTACLE - W/D MOUNT TYPE
SHEET 2 OF 2	DATE 07/23/14	SERIES AR20 SERIES
UNIT MM	REV C-AR20-AK510	SIZE A3
		REV. X6