



Chipsmall Limited consists of a professional team with an average of over 10 year of expertise in the distribution of electronic components. Based in Hongkong, we have already established firm and mutual-benefit business relationships with customers from,Europe,America and south Asia,supplying obsolete and hard-to-find components to meet their specific needs.

With the principle of “Quality Parts,Customers Priority,Honest Operation,and Considerate Service”,our business mainly focus on the distribution of electronic components. Line cards we deal with include Microchip,ALPS,ROHM,Xilinx,Pulse,ON,Everlight and Freescale. Main products comprise IC,Modules,Potentiometer,IC Socket,Relay,Connector.Our parts cover such applications as commercial,industrial, and automotives areas.

We are looking forward to setting up business relationship with you and hope to provide you with the best service and solution. Let us make a better world for our industry!



Contact us

Tel: +86-755-8981 8866 Fax: +86-755-8427 6832

Email & Skype: info@chipsmall.com Web: www.chipsmall.com

Address: A1208, Overseas Decoration Building, #122 Zhenhua RD., Futian, Shenzhen, China



1 HALOGEN FREE

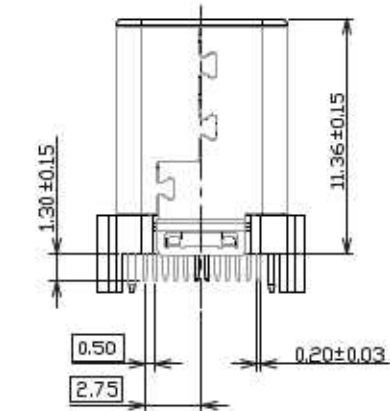
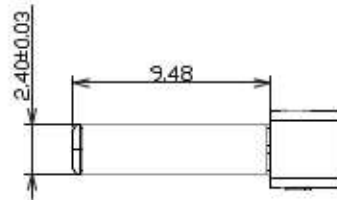
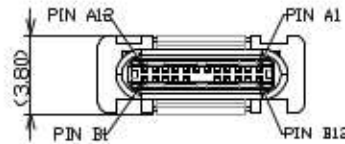
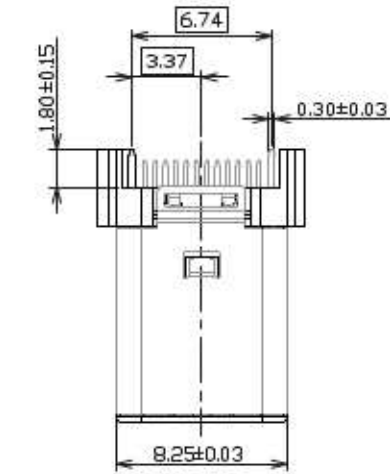


TABLE B - PIN ASSIGNMENT

PIN NO	A12	A11	A10	A9	A8	A7	A6	A5	A4	A3	A2	A1
SIGNAL NAME	GND	SSRXp2	SSRXn2	VBUS	SBU1	Dn1	Dp1	CC1	VBUS	SSTXn1	SSTXp1	GND
PIN NO	B1	B2	B3	B4	B5	B6	B7	B8	B9	B10	B11	B12
SIGNAL NAME	GND	SSTXp2	SSTXn2	VBUS	CC2			SUB2	VBUS	SSRXn1	SSRXp1	GND

REV.	ECH	DESCRIPTION	DATE	DRAWN	CHECKED	APPROVED
X8	SZECR14253-07	AX13, AX5, MX8	12/15/14*	ZYY	AlanTsal	ROGER
X9	SZECR14253-08	AX2, MX2	03/10/15*	ZYY	AlanTsal	ROGER
X10	SZECR14253-09	AX1, AX1	04/14/15*	ZYY	AlanTsal	

TABLE A - PRODUCT NUMBER CODE

C-AW10- A K 5 X X X
 ① ② ③ ④ ⑤ ⑥ ⑦

- ① TYPE:
AW10 USB 2.0 TYPE C PLUG STRADDLE FORMING SHELL TYPE
- ② POSITION:
A: 22 POSITIONS
- ③ COLOUR OF INSULATOR\K: BLACK
- ④ CONTACT PLATING:
1) GOLD FLASH ON CONTACT AREA
5Au 30u' PLATING ON CONTACT AREA
6Au 2u' + Pd-Ni 30u' ON CONTACT AREA
- ⑤ SHELL PLATING:
V: SOLDERABLE NICKEL WITH TOP / BOTTOM SHELL
1: SOLDERABLE NICKEL W/O TOP / BOTTOM SHELL
- ⑥ MATERIAL OF HOUSING:
5: PA-46(HF)
- ⑦ OTHER:
0: TYPE 1 FOR USB2.0 CABLE DD=3.6 mm AND TAPE REEL
1: TYPE 1 FOR USB2.0 CABLE DD=3.6 mm AND TRAY
2: TYPE 1 FOR USB2.0 CABLE DD=5.0 mm AND TAPE REEL

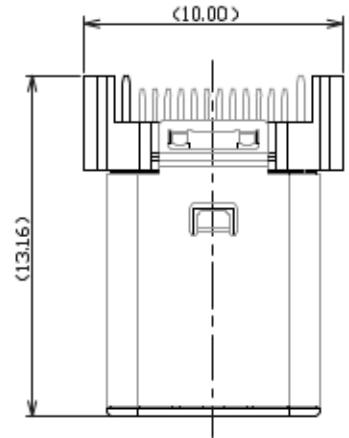
①	10	NYLAR	2	P-TP-114304041830	KAPTON
②	9	BOTTOM SHELL	1	S- AW10-30X0X	STEEL / NI PLATED
③	8	TOP SHELL	1	S- AW10-20X00	STEEL / NI PLATED
④	7	FRONT SHELL	1	S- AW10-10X00	STEEL / SEE TABLE A
⑤	6	RIGHT LATCH	1	H- AW10-10X01	STAINLESS STEEL / NI PLATED
⑥	5	LEFT LATCH	1	H- AW10-10X00	STAINLESS STEEL / NI PLATED
⑦	4	EMI SPRING	2	H- AW10-20X00	STAINLESS STEEL
⑧	3	CONTACT	22	T- AW10-10X00	COPPER ALLOY / SEE TABLE A
⑨	2	COVER	1	J- AW10-2AKX0	THERMOPLASTIC/UL94 V-0 RATED
⑩	1	HOUSING	1	J- AW10-1AKX0	THERMOPLASTIC/UL94 V-0 RATED

ITEM	NAME	Q'TY	PART #	MATERIAL / FINISH																									
<table border="1"> <tr> <td colspan="2">DRAWN</td> <td>DATE</td> <td rowspan="4"> CnC Tech, LLC USB 2.0 TYPE C PLUG STRADDLE FORMING SHELL TYPE </td> </tr> <tr> <td colspan="2">DESIGN</td> <td>DATE</td> </tr> <tr> <td colspan="2">CHECKED</td> <td>DATE</td> </tr> <tr> <td colspan="2">APPROVED</td> <td>DATE</td> </tr> <tr> <td colspan="2">SCALE</td> <td>3d</td> <td></td> </tr> <tr> <td colspan="2">SHEET</td> <td>1 of 4</td> <td></td> </tr> <tr> <td colspan="2">LWT</td> <td>P/M</td> <td></td> </tr> </table>					DRAWN		DATE	CnC Tech, LLC USB 2.0 TYPE C PLUG STRADDLE FORMING SHELL TYPE	DESIGN		DATE	CHECKED		DATE	APPROVED		DATE	SCALE		3d		SHEET		1 of 4		LWT		P/M	
DRAWN		DATE	CnC Tech, LLC USB 2.0 TYPE C PLUG STRADDLE FORMING SHELL TYPE																										
DESIGN		DATE																											
CHECKED		DATE																											
APPROVED		DATE																											
SCALE		3d																											
SHEET		1 of 4																											
LWT		P/M																											
			C-AW10-AK5V50																										
			AW1X SERIES	REV: A3																									
			C- AW10-00-00	REV: X10																									

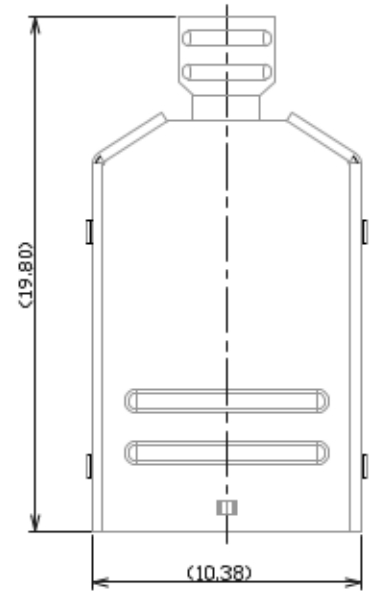
1 2 3 4 5 6 7 8

HALOGEN FREE

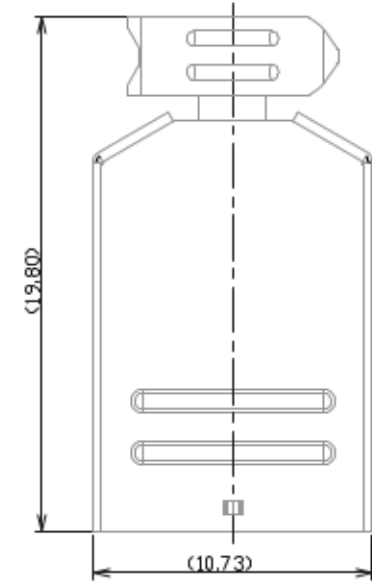
A
B
C
D
E
F



PLUG SUB-ASSEMBLY: C-AW10-AK5150



TOP SHELL: C-S-AW10-20V00



BOTTOM SHELL: C-S-AW10-30V00

C-AW10-AK5150 +
 C-S-AW10-20V00 +
 C-S-AW10-30V00 =
C-AW10-AK5V50

<small>TOLERANCES UNLESS OTHERWISE SPECIFIED: FRACTIONS .005 .010 .015 .020 .030 .040 .050 .060 .070 .080 .090 .100 .125 .150 .175 .200 .250 .300 .375 .450 .500 .625 .750 .875 1.000 DECIMALS .005 .010 .015 .020 .030 .040 .050 .060 .070 .080 .090 .100 .125 .150 .175 .200 .250 .300 .375 .450 .500 .625 .750 .875 1.000 ANGLES .005 .010 .015 .020 .030 .040 .050 .060 .070 .080 .090 .100 .125 .150 .175 .200 .250 .300 .375 .450 .500 .625 .750 .875 1.000 HOLE .005 .010 .015 .020 .030 .040 .050 .060 .070 .080 .090 .100 .125 .150 .175 .200 .250 .300 .375 .450 .500 .625 .750 .875 1.000 SHAFT .005 .010 .015 .020 .030 .040 .050 .060 .070 .080 .090 .100 .125 .150 .175 .200 .250 .300 .375 .450 .500 .625 .750 .875 1.000</small>	<small>DRAWN</small> AlanTeal <small>DATE</small> 7/22/14	CnC Tech, LLC USB 2.0 TYPE C PLUG STRADDLE FORMING SHELL TYPE
	<small>DESIGN</small> AlanTsal <small>DATE</small> 7/22/14	
	<small>CHECKED</small> Roger <small>DATE</small> 7/23/14	
	<small>APPROVED</small> Roger <small>DATE</small> 7/23/14	
<small>SCALE</small> 3d	<small>SHEET</small> 2 of 4	<small>SERIES</small> AW1X SERIES
<small>LINK</small> P1/P1	C-AW10-AK5V50	<small>REV</small> A3 <small>REV</small> X10