



Chipsmall Limited consists of a professional team with an average of over 10 year of expertise in the distribution of electronic components. Based in Hongkong, we have already established firm and mutual-benefit business relationships with customers from,Europe,America and south Asia,supplying obsolete and hard-to-find components to meet their specific needs.

With the principle of "Quality Parts,Customers Priority,Honest Operation,and Considerate Service",our business mainly focus on the distribution of electronic components. Line cards we deal with include Microchip,ALPS,ROHM,Xilinx,Pulse,ON,Everlight and Freescale. Main products comprise IC,Modules,Potentiometer,IC Socket,Relay,Connector.Our parts cover such applications as commercial,industrial, and automotives areas.

We are looking forward to setting up business relationship with you and hope to provide you with the best service and solution. Let us make a better world for our industry!



Contact us

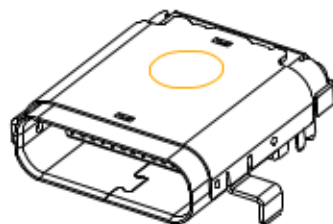
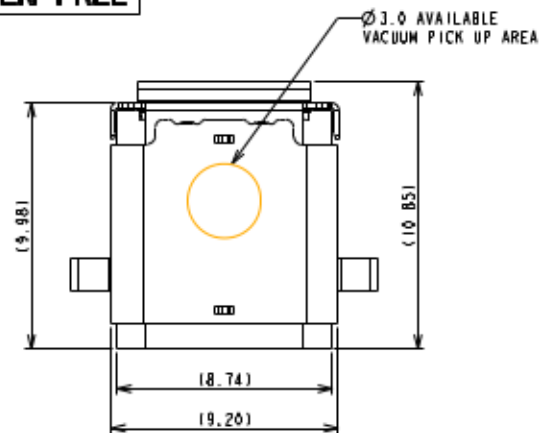
Tel: +86-755-8981 8866 Fax: +86-755-8427 6832

Email & Skype: info@chipsmall.com Web: www.chipsmall.com

Address: A1208, Overseas Decoration Building, #122 Zhenhua RD., Futian, Shenzhen, China



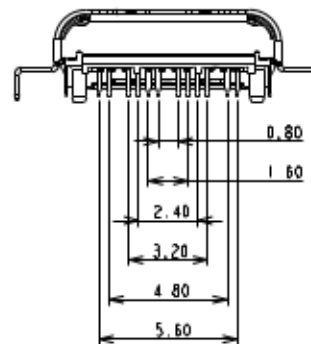
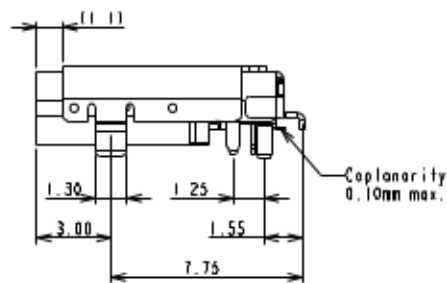
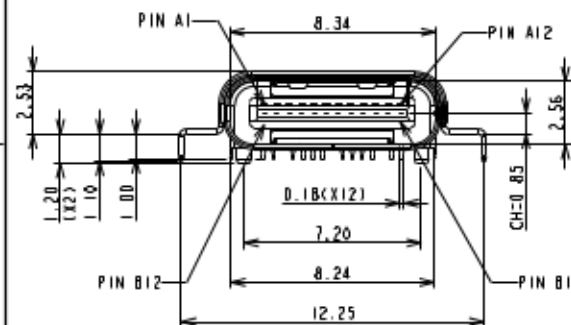
HALOGEN FREE



REV	ECR	DESCRIPTION	DATE	DRAWN	CHECKED	APPROVED
X1	SZECR14237	NEW RELEASE PER 4PRI40T3	09/19/15	RUI.SU	AIR CHEN	

TABLE A: PRODUCT NUMBERING CODE
 PRODUCT NUMBERING CODE
 C-BR20 - A K X X X
 ① ② ③ ④ ⑤ ⑥

- 1. CONNECTOR TYPE
BR20 : USB TYPE- C FULL FEATURE CONN.
RECEPTACLE - MID MOUNT TYPE
- 2. NO. OF POSITION:
A: 24 POSITIONS
- 3. COLOR OF INSULATOR:
K: BLACK
- 4. PLATING OF CONTACT:
1: GOLD FLASH ON CONTACT AREA.
5: Au 30u" PLATING ON CONTACT AREA.
- 5. PLATING OF FRONT SHELL
1: SOLDERING NICKEL
- 6. OTHER
1: SHELL HOLD DOWN 1.1mm
(DESIGNED TO MEET USB TYPE C SPECIFICATION)



CONN ADD LASER WELDING POSITION

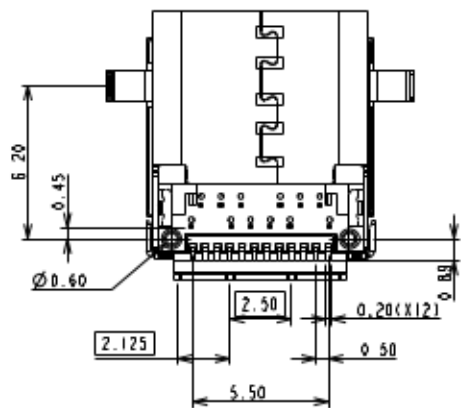
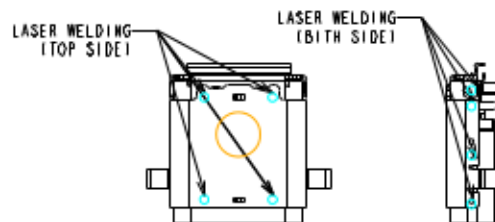
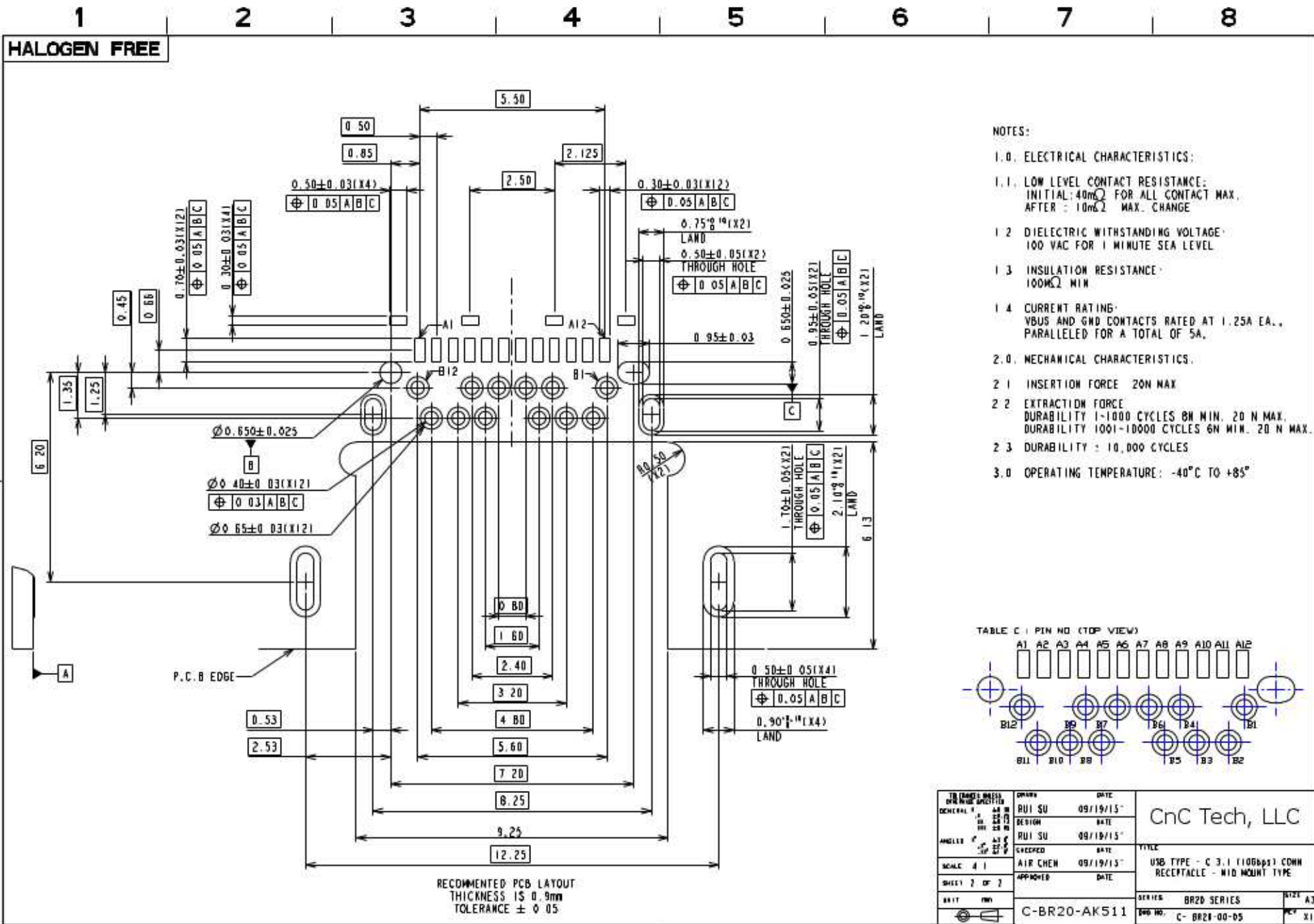


TABLE B:

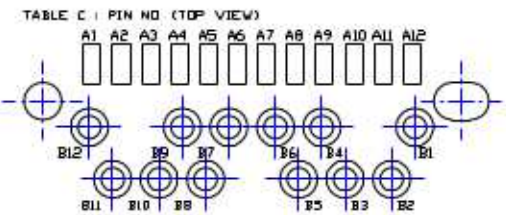
PIN NO.	A1	A2	A3	A4	A5	A6	A7	A8	A9	A10	A11	A12
SIGNAL NAME	GND	SSTXp1	SSTXn1	VBUS	CC1	Dpl	Dn1	SBU1	VBUS	SSRXn2	SSRXp2	GND
PIN NO.	B12	B11	B10	B9	B8	B7	B6	B5	B4	B3	B2	B1
SIGNAL NAME	GND	SSRXp1	SSRXn1	VBUS	SBU2	Dn1	Dpl	CC2	VBUS	SSTXn2	SSTXp2	GND

ITEM	NAME	Q'TY	PART #	MATERIAL / FINISH
6	OUTER SHELL	1	S- BR20-20000	METAL / Ni PLATED
5	SHELL	1	S- BR20-10000	METAL / Ni PLATED
4	ENI RING	2	H- BR25-00000	METAL / Ni PLATED
3	GROUND PLATE	1	H- BR20-00000	METAL / Ni PLATED
2	CONTACT	24	T- BR20-X0000	COPPER ALLOY / Au PLATED
1	HALF PRODUCT	2	BR20-XK0022	HI-TEMP G.F UL94V-0

TOLERANCES UNLESS OTHERWISE SPECIFIED: DIMENSIONS IN MILLIMETERS ANGLES IN DEGREES	DRAWN: RUI.SU DESIGN: RUI.SU CHECKED: AIR CHEN SCALE: 7:1 SHEET 1 OF 2 PART: C-BR20-AK511	DATE: 09/19/15 DATE: 09/19/15 DATE: 09/19/15 DATE: 09/19/15	CnC Tech, LLC TITLE: USB TYPE - C 3.1 (10Gbps) CONN RECEPTACLE - MID MOUNT TYPE REVISED: BR20 SERIES REV NO.: C- BR20-00-05	SIZE: A3 REV: X1
--	--	--	---	---------------------



- NOTES:
- 1.0. ELECTRICAL CHARACTERISTICS:
 - 1.1. LOW LEVEL CONTACT RESISTANCE: INITIAL: 40mΩ FOR ALL CONTACT MAX. AFTER : 10mΩ MAX. CHANGE
 - 1.2. DIELECTRIC WITHSTANDING VOLTAGE: 100 VAC FOR 1 MINUTE SEA LEVEL
 - 1.3. INSULATION RESISTANCE: 100MΩ MIN
 - 1.4. CURRENT RATING: VBUS AND GND CONTACTS RATED AT 1.25A EA., PARALLELED FOR A TOTAL OF 5A.
 - 2.0. MECHANICAL CHARACTERISTICS:
 - 2.1. INSERTION FORCE: 20N MAX
 - 2.2. EXTRACTION FORCE: DURABILITY 1-1000 CYCLES 8N MIN. 20 N MAX. DURABILITY 1001-10000 CYCLES 6N MIN. 20 N MAX.
 - 2.3. DURABILITY: 10,000 CYCLES
 - 3.0. OPERATING TEMPERATURE: -40°C TO +85°



DESIGNED BY RUI SU	DATE 09/19/15	CnC Tech, LLC
CHECKED BY RUI SU	DATE 09/19/15	
SCALE 4:1	APPROVED BY AIR CHEN	TITLE USB TYPE - C 3.1 (10Gbps) CONN RECEPTACLE - MID MOUNT TYPE
SHEET 2 OF 2	DATE 09/19/15	SERIES BR20 SERIES
PART NO. C-BR20-AK511	DATE 09/19/15	REV A3