



Chipsmall Limited consists of a professional team with an average of over 10 year of expertise in the distribution of electronic components. Based in Hongkong, we have already established firm and mutual-benefit business relationships with customers from,Europe,America and south Asia,supplying obsolete and hard-to-find components to meet their specific needs.

With the principle of “Quality Parts,Customers Priority,Honest Operation,and Considerate Service”,our business mainly focus on the distribution of electronic components. Line cards we deal with include Microchip,ALPS,ROHM,Xilinx,Pulse,ON,Everlight and Freescale. Main products comprise IC,Modules,Potentiometer,IC Socket,Relay,Connector.Our parts cover such applications as commercial,industrial, and automotives areas.

We are looking forward to setting up business relationship with you and hope to provide you with the best service and solution. Let us make a better world for our industry!



Contact us

Tel: +86-755-8981 8866 Fax: +86-755-8427 6832

Email & Skype: info@chipsmall.com Web: www.chipsmall.com

Address: A1208, Overseas Decoration Building, #122 Zhenhua RD., Futian, Shenzhen, China



HALOGEN FREE

REV.	EC#	DESCRIPTION	DATE	DRAWN	CHECKED	APPROVED
X1	SZECR15082	NEW RELEASE PER PR15032	04/06/15'	AVEN	ROGER	ROGER
X2	SZECR15082-01	△X6, AX6	06/16/15'	AVEN	ROGER	ROGER
X3	SZECR15082-02	△X1, AX1	07/09/15'	Rbyond	ROGER	

TABLE A: PRODUCT NUMBERING CODE
PRODUCT NUMBERING CODE

C-BR27 - A K X X
① ② ③ ④ ⑤

1.CONNECTOR TYPE
BR27 : USB TYPE-C FULL FEATURE CONN
RECEPTACLE - MID MOUNT TYPE

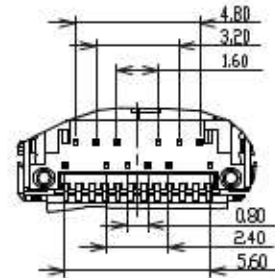
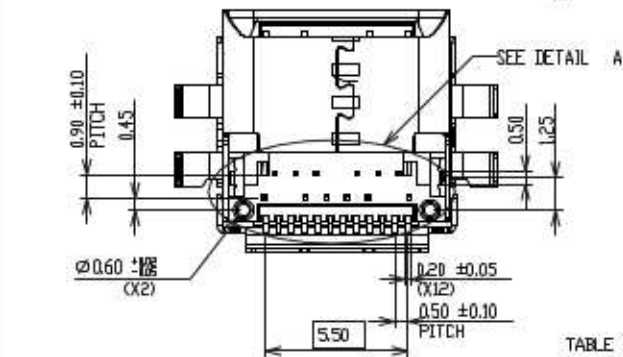
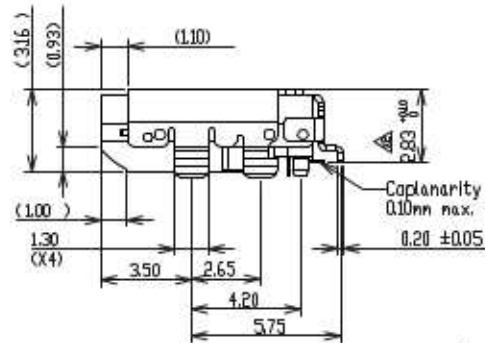
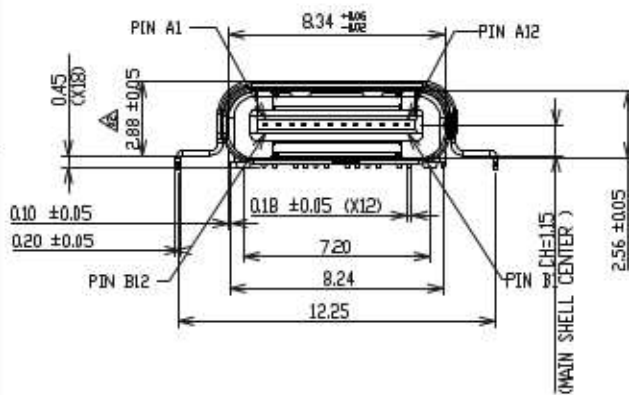
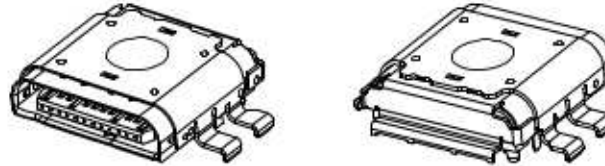
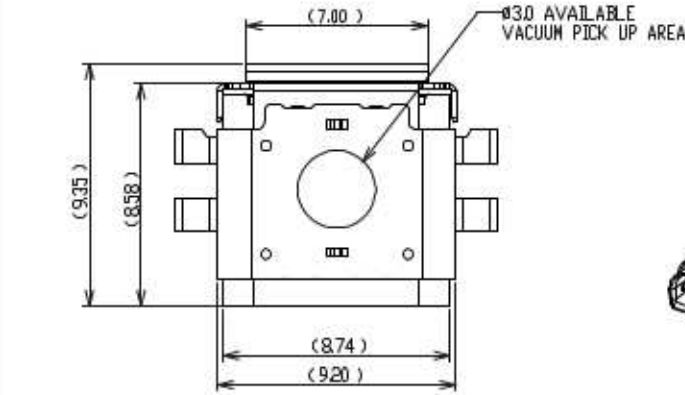
2.NO. OF POSITION
A: 24 POSITIONS.

3.COLOR OF INSULATOR
K: BLACK.

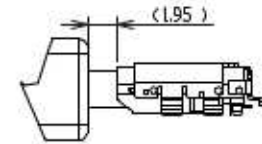
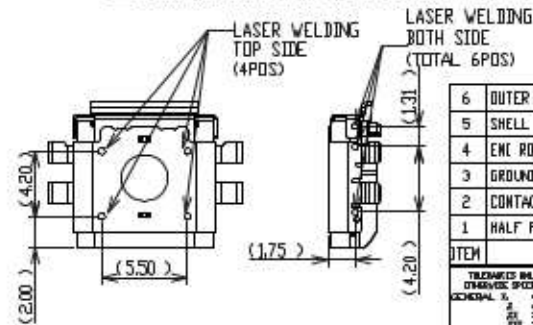
4.PLATING OF CONTACT:
1) GOLD FLASH ON CONTACT AREA
5) Au 30u" PLATING ON CONTACT AREA.

5.PLATING OF FRONT SHELL

△3 SOLDERING NICKEL
(DESIGNED TO MEET USB TYPE C SPECIFICATION)



△ CONN ADD LASER WELDING POSITION



PLUG MATING REF

ITEM	NAME	QTY	PART #	MATERIAL / FINISH
6	OUTER SHELL	1	S- BR27-2XXXX	METAL / NI PLATED
5	SHELL	1	S- BR27-1XXXX	METAL / NI PLATED
4	ENC. RING	2	H- BR27-XXXXX	METAL / NI PLATED
3	GROUND PLATE	1	H- BR27-DXXXX	METAL / NI PLATED
2	CONTACT	24	T- BR27-XXXXX	COPPER ALLOY / Au PLATED
1	HALF PRODUCT	E	BR27-XXXXXX	HI-TEMP. GF. UL94V-0

ITEM	NAME	QTY	PART #	MATERIAL / FINISH
6	OUTER SHELL	1	S- BR27-2XXXX	METAL / NI PLATED
5	SHELL	1	S- BR27-1XXXX	METAL / NI PLATED
4	ENC. RING	2	H- BR27-XXXXX	METAL / NI PLATED
3	GROUND PLATE	1	H- BR27-DXXXX	METAL / NI PLATED
2	CONTACT	24	T- BR27-XXXXX	COPPER ALLOY / Au PLATED
1	HALF PRODUCT	E	BR27-XXXXXX	HI-TEMP. GF. UL94V-0

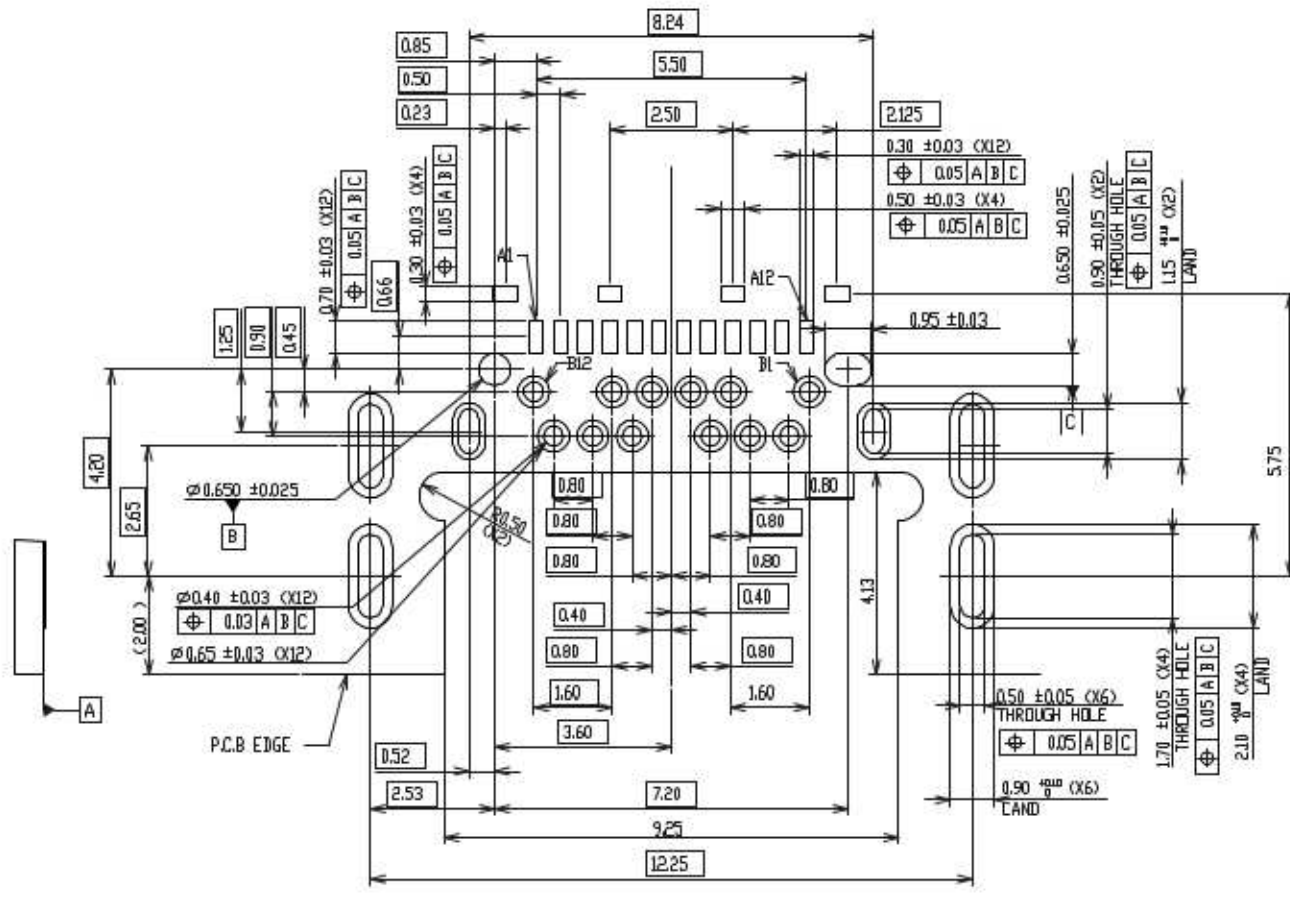
TABLE B:

PIN NO.	A1	A2	A3	A4	A5	A6	A7	A8	A9	A10	A11	A12
SIGNAL NAME	GND	SSTXp1	SSTXn1	VBUS	CC1	Dp1	Dn1	SBUL	VBUS	SSRXn2	SSRXp2	GND
PIN NO.	B12	B11	B10	B9	B8	B7	B6	B5	B4	B3	B2	B1
SIGNAL NAME	GND	SSRXp1	SSRXn1	VBUS	SBUS2	Dn1	Dp1	CC2	VBUS	SSTXn2	SSTXp2	GND

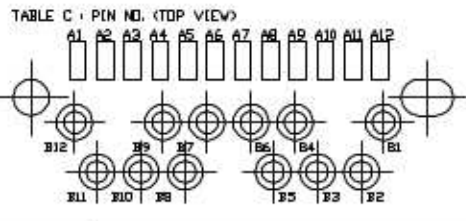
DESIGNED BY	DATE
AVEN	04/06/15'
DESIGNED BY	DATE
AVEN	04/06/15'
CHECKED	DATE
ROGER	04/06/15'
APPROVED	DATE
ROGER	04/06/15'
SCALE	5:1
SHEET	1 OF 2
UNIT	MM

CnC Tech, LLC	
USB Type-C 3.1 (10Gbps) Conn. RECEPTACLE - MID MOUNT TYPE △ CH0.15mm	
SERIES	BR27 SERIES
REV.	X3
P/N NO.	C- BR27-00-00

HALOGEN FREE



RECOMMENDED PCB LAYOUT
THICKNESS IS 0.7mm
TOLERANCE ± 0.05



- NOTES:
- 1.0. ELECTRICAL CHARACTERISTICS:
 - 1.1. LOW LEVEL CONTACT RESISTANCE:
INITIAL: 40mΩ FOR ALL CONTACT MAX.
AFTER : 10mΩ MAX. CHANGE.
 - 1.2. DIELECTRIC WITHSTANDING VOLTAGE:
100 VAC FOR 1 MINUTE SEA LEVEL.
 - 1.3. INSULATION RESISTANCE:
100M
 - 1.4. CURRENT RATING
VBUS AND GND CONTACTS RATED AT 1.25A EA.,
PARALLELED FOR A TOTAL OF 5A.
 - 2.0. MECHANICAL CHARACTERISTICS:
 - 2.1. INSERTION FORCE: 20N MAX
 - 2.2. EXTRACTION FORCE:
DURABILITY 1-1000 CYCLES 8N MIN. 20 N MAX.
DURABILITY 1001-1000 CYCLES 6N MIN. 20 N MAX.
 - 2.3. DURABILITY : 10,000 CYCLES
 - 3.0. OPERATING TEMPERATURE: -40°C TO +85°

DESIGNED BY GENERAL	DATE 14/06/13'	CnC Tech, LLC
DRAWN AVEN	DATE 14/06/15'	
CHECKED AVEN	DATE 14/06/15'	TITLE USB Type-C 3.1 (10Gbps) Conn. RECEPTACLE - MID MOUNT TYPE
SCALE 5:1	APPROVED ROGER	DATE 14/06/15'
SHEET 2 OF 2	UNIT MM	REV A3
C-BR27-AK53		REV X3