



Chipsmall Limited consists of a professional team with an average of over 10 year of expertise in the distribution of electronic components. Based in Hongkong, we have already established firm and mutual-benefit business relationships with customers from,Europe,America and south Asia,supplying obsolete and hard-to-find components to meet their specific needs.

With the principle of “Quality Parts,Customers Priority,Honest Operation,and Considerate Service”,our business mainly focus on the distribution of electronic components. Line cards we deal with include Microchip,ALPS,ROHM,Xilinx,Pulse,ON,Everlight and Freescale. Main products comprise IC,Modules,Potentiometer,IC Socket,Relay,Connector.Our parts cover such applications as commercial,industrial, and automotives areas.

We are looking forward to setting up business relationship with you and hope to provide you with the best service and solution. Let us make a better world for our industry!



Contact us

Tel: +86-755-8981 8866 Fax: +86-755-8427 6832

Email & Skype: info@chipsmall.com Web: www.chipsmall.com

Address: A1208, Overseas Decoration Building, #122 Zhenhua RD., Futian, Shenzhen, China



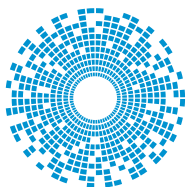


RJ45 D38999

Series C-RJFTV

Rugged Solutions

Based on the rugged D38999 shell and high performance RJ45, Cinch Connectivity Solutions' RJ45 D38999 provides Ethernet connectivity in harsh environments. A unique design reduces the footprint to the markets smallest, size 17 which can be used to transmit 1G Base-T Ethernet.



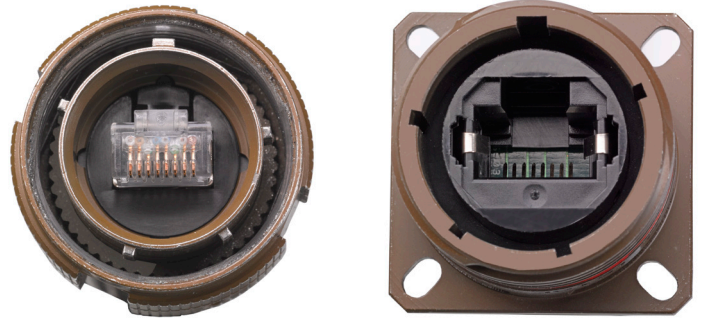
cinch
CONNECTIVITY SOLUTIONS
a bel group



Series C-RJFTV

Main Characteristics

- D38999 series III style shell
- EMI protection with shielded cable
- Shell sizes 17 and 19, which is the smallest size on the market today and allows for communications speeds through 1G Base-T Ethernet
- Available in a variety of metals and plating's
- Minimum of 500 mating cycles
- Sealed to IP68
- Four keyways available



Data transmission

- 10 Base-T, 100 Base-T, and 1G Base-T Ethernet
- High performance connectivity, up to 100 MHz

Applications

- Harsh Environment Connectivity
- Military Communication
- Railway
- Oil and Gas
- Renewable Energy Industry

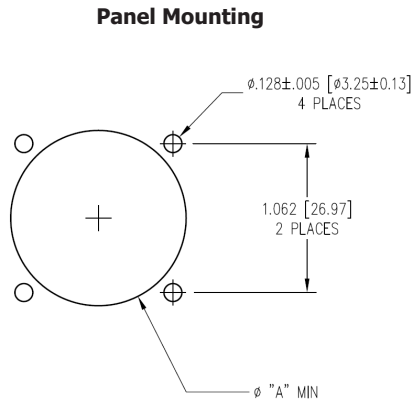


Series C-RJFTV

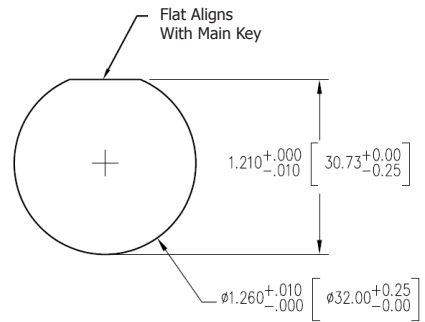
Recommended Panel Dimensions

Panel Mounting Side	"A" Diameter Inches [mm]
Front	1.016 [25.81]
Rear	1.219 [30.96]
If Back Shell is Used When Front Mounting, "A" = 1.219 [30.96]	

Panel Cutout
.125 [3.2] Max Panel Thickness



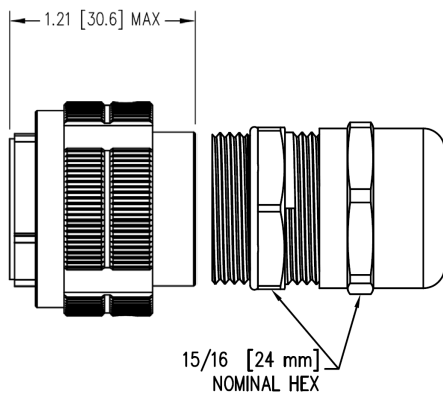
Jam Nut Mounting



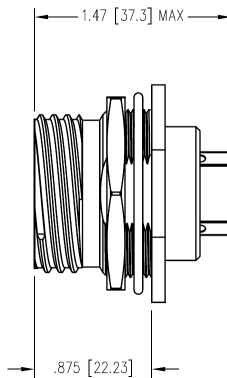
Panel Cutout
.125 [3.2] Max Panel Thickness

***For Information on Size 19 Panel Dimensions, Contact Factory**

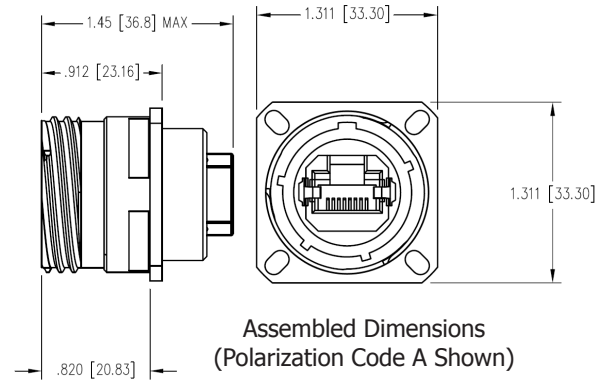
Plug



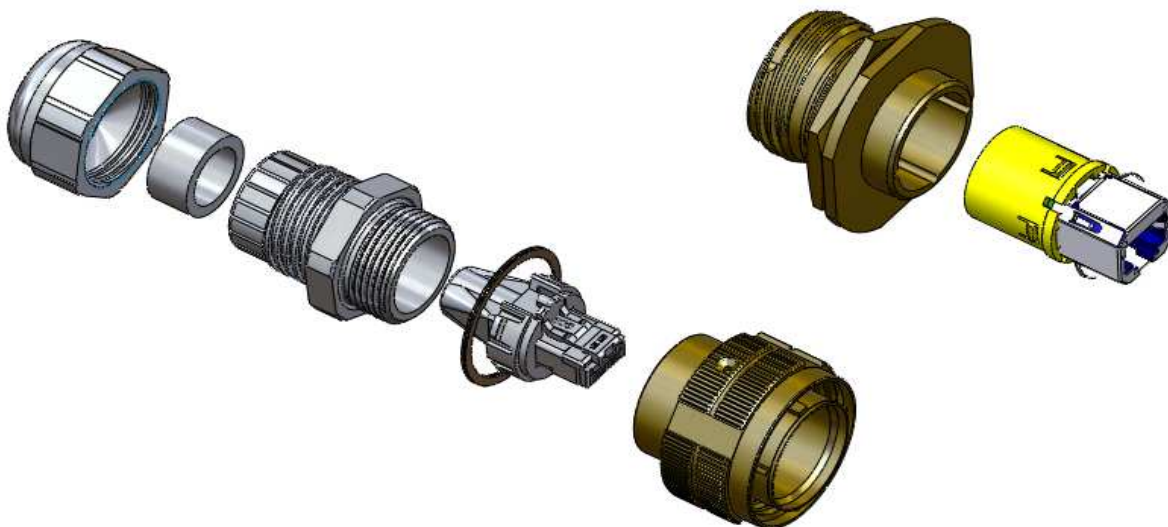
Receptacle



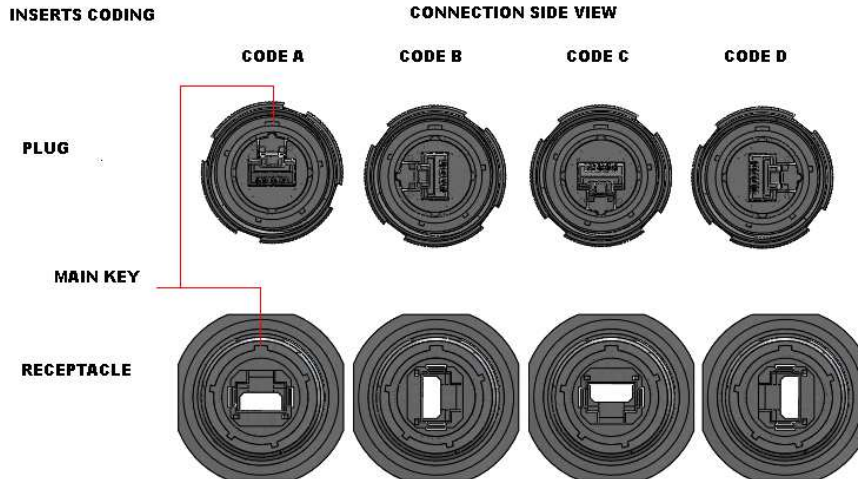
Square Flange Receptacle



Assembled Dimensions
(Polarization Code A Shown)



How to Order RJ45 D38999, Series C-RJFTV



Series	C-RJFTV	5E	17	06	1	G	03	K123
RJ45 38999 series III								
Performance 5E - Suited for 10 BaseT, 100 BaseT, 1G BaseT								
Shell size 17 - Size 17 19 - Size 19								
Shell Type 02 - Receptacle, square flange 02BS - Receptacle, square flange, IP68 backshell, plastic gland 02BSM - Receptacle, square flange, IP68 backshell, metal gland 06P - Plug, straight, plastic gland 06M - Plug, straight, metal gland 07 - Receptacle, jamnut 07BS - Receptacle, jamnut, IP68 backshell, plastic gland 07BSM - Receptacle, jamnut, IP68 backshell, metal gland								
Back end termination (omit for shell type 06) 1 - RJ45, Female, Straight								
Shell material and plating G - Aluminum shell, olive drab plating N - Aluminum shell, nickel plating (RoHS) SS - Stainless steel, passivated (RoHS) BZ - Marine bronze (RoHS)								
Cordset length 03 - 0.3 meter 05 - 0.5 meter 10 - 1.0 meter 15 - 1.5 meter								
Modification code								



Asia Pacific
+86 21 5442 7668
ccs.asia.sales@as.cinch.com

Europe, Middle East & Africa
+44 (0) 1245 342060
CinchConnectivity@eu.cinch.com

North America
+1 507.833.8822
ccsorders@us.cinch.com
cinch.com