



Chipsmall Limited consists of a professional team with an average of over 10 year of expertise in the distribution of electronic components. Based in Hongkong, we have already established firm and mutual-benefit business relationships with customers from,Europe,America and south Asia,supplying obsolete and hard-to-find components to meet their specific needs.

With the principle of "Quality Parts,Customers Priority,Honest Operation,and Considerate Service",our business mainly focus on the distribution of electronic components. Line cards we deal with include Microchip,ALPS,ROHM,Xilinx,Pulse,ON,Everlight and Freescale. Main products comprise IC,Modules,Potentiometer,IC Socket,Relay,Connector.Our parts cover such applications as commercial,industrial, and automotives areas.

We are looking forward to setting up business relationship with you and hope to provide you with the best service and solution. Let us make a better world for our industry!



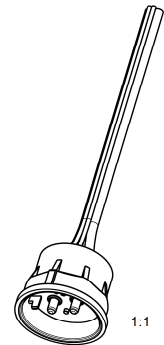
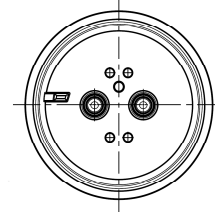
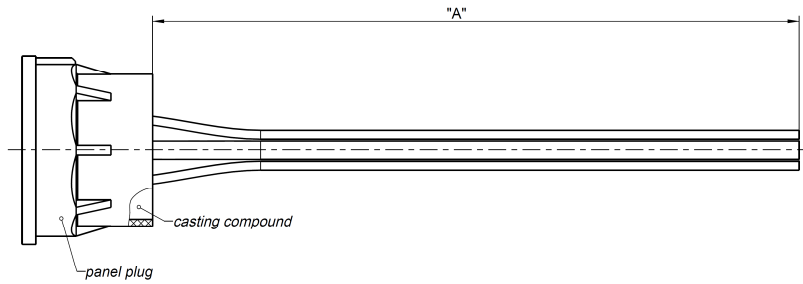
Contact us

Tel: +86-755-8981 8866 Fax: +86-755-8427 6832

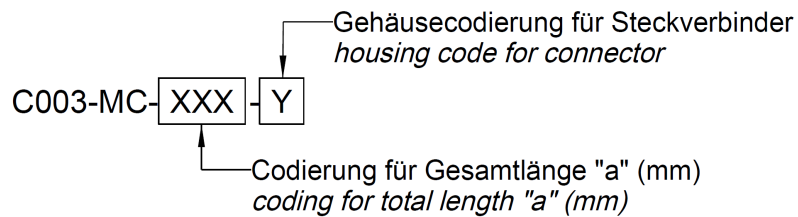
Email & Skype: info@chipsmall.com Web: www.chipsmall.com

Address: A1208, Overseas Decoration Building, #122 Zhenhua RD., Futian, Shenzhen, China





All dimensions are in mm; tolerances according to ISO 2768 c-H



| cable length | | | | |
|-------------------|-------------|--------------|--------------|--------|
| Range length "a" | 100 to 1000 | 1001 to 2000 | 2001 to 5000 | > 5000 |
| Tolerance for "a" | ±5 | ±10 | ±20 | ±1% |

General Information

RoPD cable assembly with panel plug consisting of

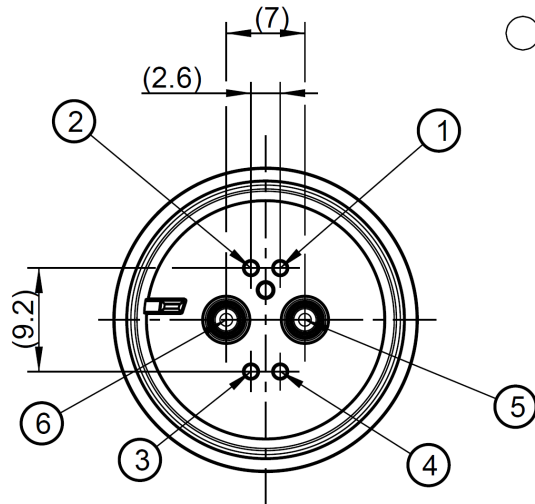
Panel plug with magnets
Second side
Color

Panel plug, straight, round flange
Open
White, similar RAL 9003

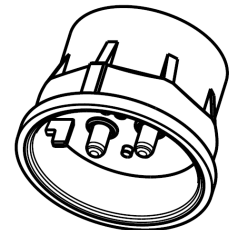
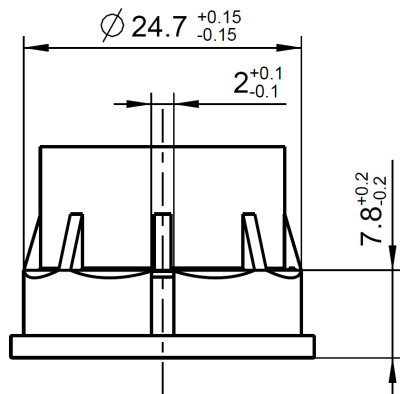
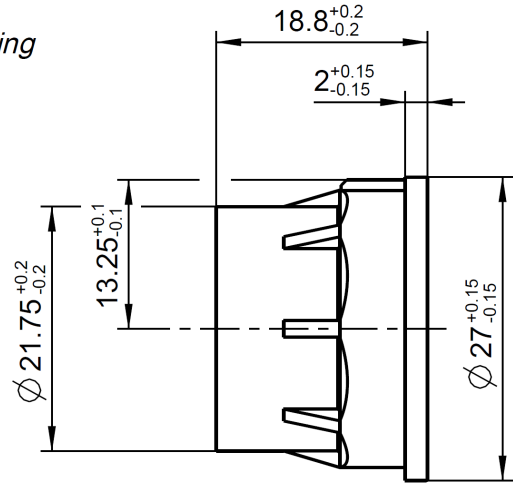
Dieses Dokument ist urheberrechtlich geschützt • This document is protected by copyright • Rosenberger Hochfrequenztechnik GmbH & Co. KG

RF_35/05:10/6.0

Technical Data panel plug



○ = pinning



| Pin | Farbe/colour | Leitungsquerschnitt/ cable cross section |
|-----|--------------|---|
| 1 | green | 0.35 mm ² |
| 2 | blue | 0.35 mm ² |
| 3 | orange | 0.35 mm ² |
| 4 | brown | 0.35 mm ² |
| 5 | red | 2.5 mm ² |
| 6 | black | 2.5 mm ² |

All dimensions are in mm; tolerances according to ISO 2768 m-H

Dieses Dokument ist urheberrechtlich geschützt • This document is protected by copyright • Rosenberger Hochfrequenztechnik GmbH & Co. KG

RF_35/05:10/6.0

Interface

According to Rosenberger Standard

Material and Plating panel plug

Connector parts

| | | |
|------------------|------------------------|---|
| Housing | Material PBT | Plating / Color White, similar RAL 9003 |
| Casting compound | PU casting resin | |
| Magnets | NdFeB | Nickel plated |

Pins 1-4, spring loaded contacts

| | | |
|-------------|--------------------------|---------------------------------------|
| Contact Pin | Material Brass | Plating / Color Gold plated |
|-------------|--------------------------|---------------------------------------|

Pins 5-6

| | | |
|-----------|---------------------------|---|
| Power Pin | Material Copper | Plating / Color Nickel plated |
|-----------|---------------------------|---|

Flammability rating

Connector parts

| | |
|----------------------------|--|
| Housing | Category Uncolored raw material acc. to UL94 V-0* acc. to UL94 V-0 UL-Style 11027-FRNC UL-Style 10269 |
| Casting compound | |
| Cable 0.35 mm ² | |
| Cable 2.5 mm ² | |

*Please note that a non UL rated color batch is added

Electrical data

Pins 1-4

| | |
|-----------------------|-----------------|
| Insulation resistance | ≥ 1 x100 MΩ |
| Contact resistance | ≤ 40 mΩ initial |
| Working voltage | 12 V |
| Max. Current | 2 A per pin |

Pins 5-6

| | |
|-----------------------|-------------|
| Insulation resistance | ≥ 1 x100 MΩ |
| Power current | ≤ 30 A DC |
| Contact resistance | ≤ 7 mΩ |
| Working voltage | ≤ 60V DC |

Mechanical data

| | |
|----------------------------------|------------|
| Mating cycles | min. 2.500 |
| Disengagement force each contact | min. 25 N |

Dieses Dokument ist urheberrechtlich geschützt • This document is protected by copyright • Rosenberger Hochfrequenztechnik GmbH & Co. KG

RF_35/05:10/6.0

Environmental data

| | |
|--|---|
| Temperature range | -40 °C to +65 °C |
| Thermal shock | DIN IEC 60068-2-14 Test NA |
| Temperature and humidity | DIN EN 60068-2-30 (2) |
| Vibration resistance | 3 axes, 6h, 10Hz-180Hz, 12.38m/s ² |
| Shock resistance | 3 axes, 150 shocks, 6ms, 30g |
| Mechanical Shock | DIN IEC 60068-2-27 |
| High-Temp. Exposure | DIN IEC 60068-2-2 |
| Degree of protection (connected with plug) | DIN EN 60529 IP 64 / IP 67 |
| RoHS | compliant |

Additional parts (optional)

| | |
|-----|--------------------|
| Cap | M4Z003-000 (black) |
|-----|--------------------|

Packing

| | |
|-------------------------|--|
| According to VK 18.0000 | Packaging Instruction for standard packaging of components with magnets. Packing unit depends on cable length, max. 8kg |
|-------------------------|--|

Safety instruction

Caution

Magnets can impact the function of pace makers and implantable cardioverter-defibrillators (e.g. actuation of reed switch). Keep a minimum distance of 0.50 m (50 cm) from magnetic components in order to prevent malfunction and danger to health.

Preliminary

Warning!

**Customer is responsible for implementing adequate safety measures:
Power supply to Pins 5 & 6 must be deactivated unless they are completely plugged in.
Power to pins 5 & 6 must only be activated upon full insertion of signal pins 1 - 4.
Misuse may damage contact!**

While the information has been carefully compiled to the best of our knowledge, nothing is intended as representation or warranty on our part and no statement herein shall be construed as recommendation to infringe existing patents. In the effort to improve our products, we reserve the right to make changes judged to be necessary.

| | | | | | | | |
|----------------|----------|----------------|----------|------|---------------------------|--------------|----------|
| Draft | Date | Approved | Date | Rev. | Engineering change number | Name | Date |
| T. Scheuerlein | 02.02.17 | T. Scheuerlein | 03.03.17 | 100 | 17-v173 | M. Schönsmal | 03.03.17 |

| | | |
|--|---|---------------|
| Rosenberger Hochfrequenztechnik GmbH & Co. KG P.O.Box 1260 D-84526 Tittmoning Germany www.rosenberger.de | Tel. : +49 8684 18-0 Fax : +49 8684 18-499 Email : info@rosenberger.de | Page 4 / 4 |
|--|---|---------------|