



Chipsmall Limited consists of a professional team with an average of over 10 year of expertise in the distribution of electronic components. Based in Hongkong, we have already established firm and mutual-benefit business relationships with customers from,Europe,America and south Asia,supplying obsolete and hard-to-find components to meet their specific needs.

With the principle of “Quality Parts,Customers Priority,Honest Operation,and Considerate Service”,our business mainly focus on the distribution of electronic components. Line cards we deal with include Microchip,ALPS,ROHM,Xilinx,Pulse,ON,Everlight and Freescale. Main products comprise IC,Modules,Potentiometer,IC Socket,Relay,Connector.Our parts cover such applications as commercial,industrial, and automotives areas.

We are looking forward to setting up business relationship with you and hope to provide you with the best service and solution. Let us make a better world for our industry!



Contact us

Tel: +86-755-8981 8866 Fax: +86-755-8427 6832

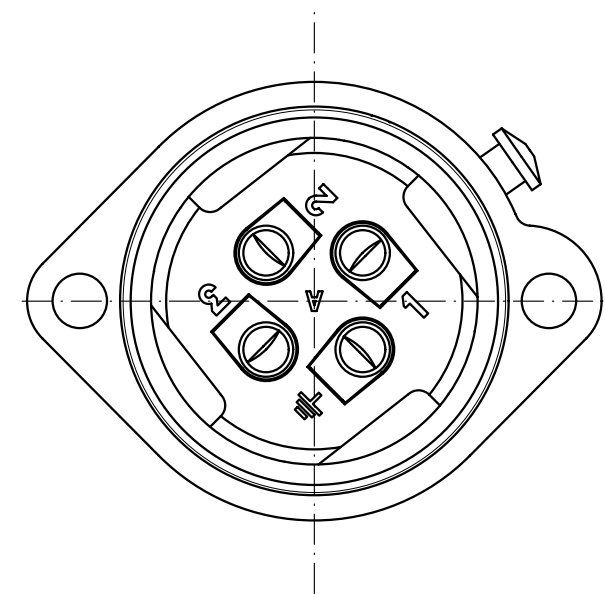
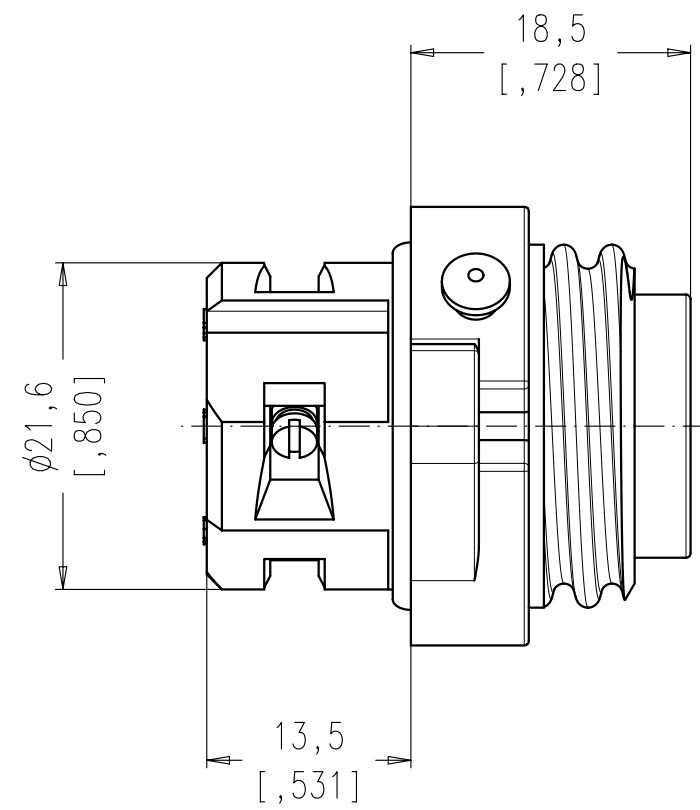
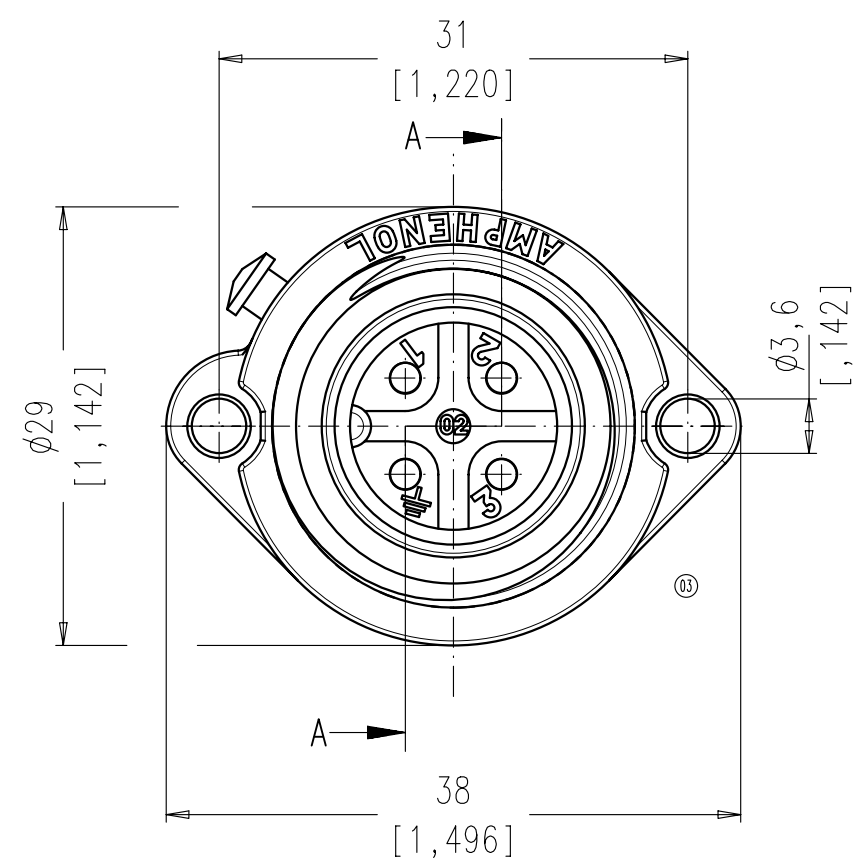
Email & Skype: info@chipsmall.com Web: www.chipsmall.com

Address: A1208, Overseas Decoration Building, #122 Zhenhua RD., Futian, Shenzhen, China

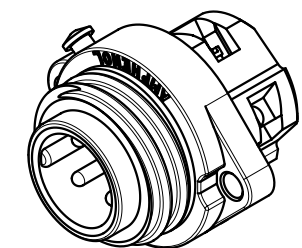
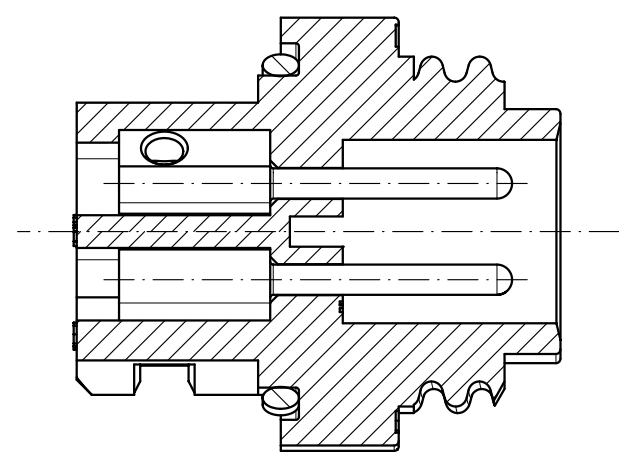


Copying of this document and giving it to others and the use or communication of the contents thereof, are forbidden without express authority. Offenders are liable to the payment of damages. All rights are reserved in the event of the grant of a patent or the registration of the utility model or design.

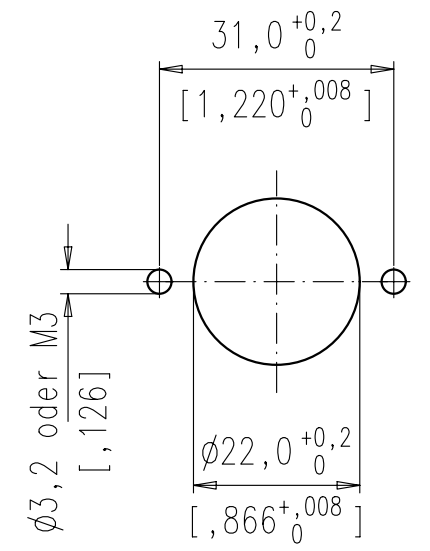
8 7 6 5 4 3 2 1



Schnitt A-A
section A-A



Montageausschnitt
panel cutout



Montagebohrung ohne Anfasung/
Mounting hole without chamfer.

Geeignete Schraubenabdichtung ist vorzusehen/
Suitable sealing for screws is necessary

Polzahl / No. of contacts	3 + PE
Anschlußart / Termination	schrauben / screw
Anschlußquerschnitt / Wire gauge	0,75 mm ² - 2,5 mm ² ② AWG 18 - 14
Bemessungsspannung / Rated insulation voltage	400 V
Strombelastbarkeit / Current carrying capacity	16 A / +55°C 16 A / +131°F
Betriebstemperatur / Operating temperature	-40°C ... +100°C -40°F ... +212°F
Schutzart / Protection Class	IP 65 / IP 67
Verriegelung / Locking system	Schraubverriegelung / threaded coupling

Gewicht (errechnet) / Calc WT: 9		Zvl. Abw./Tolerances:		Maßstab/Scale 2:1; 1:1		A3			
Prüfmaß/Testdimension		DIN 6784		CUSTOMER DRAWING					
Teileindex Part index number		05		Datum/Date		Name		Gerätestecker 3+PE mit Schraubanschluss	
		Gez.		13.01.		Cionvica		male connector, screw type	
		Drawn				i.f.f.			
		Gepr.							
		Checked							
04	201200467	24.08.12	IM	Amphenol-Tuchel Electronics GmbH					
03	200900003	10.12.09	Gr.	M C016 20C003 100 12					
02	200700032	16.01.07	CI	1					
01	200400178	13.01.05	CI	1 Bl.					
Index	Änderung/Description	Datum/Date	Name	Ers. f./Similar to:					

Weitergabe sowie Vervielfältigung dieser Unterlage, Verwertung und Mitteilung ihres Inhalts nicht gestattet, soweit nicht ausdrücklich zugestanden. Zuwiderhandlungen verpflichten zu Schadenersatz. Alle Rechte für den Fall der Patenterteilung oder Gebrauchsmuster-Eintragung vorbehalten.