



Chipsmall Limited consists of a professional team with an average of over 10 year of expertise in the distribution of electronic components. Based in Hongkong, we have already established firm and mutual-benefit business relationships with customers from,Europe,America and south Asia,supplying obsolete and hard-to-find components to meet their specific needs.

With the principle of “Quality Parts,Customers Priority,Honest Operation,and Considerate Service”,our business mainly focus on the distribution of electronic components. Line cards we deal with include Microchip,ALPS,ROHM,Xilinx,Pulse,ON,Everlight and Freescale. Main products comprise IC,Modules,Potentiometer,IC Socket,Relay,Connector.Our parts cover such applications as commercial,industrial, and automotives areas.

We are looking forward to setting up business relationship with you and hope to provide you with the best service and solution. Let us make a better world for our industry!



Contact us

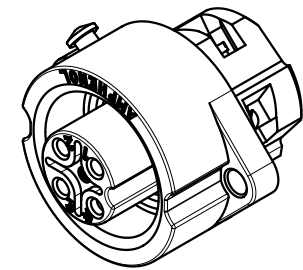
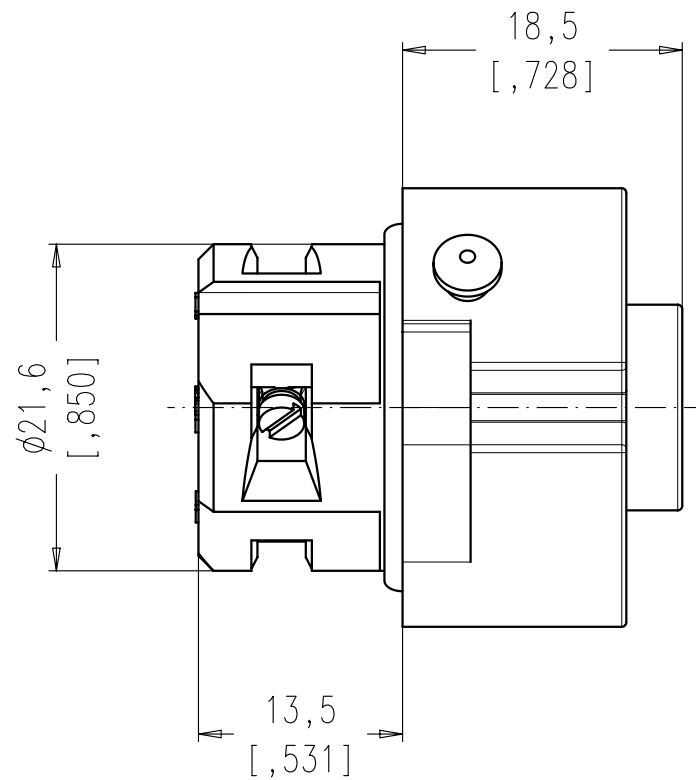
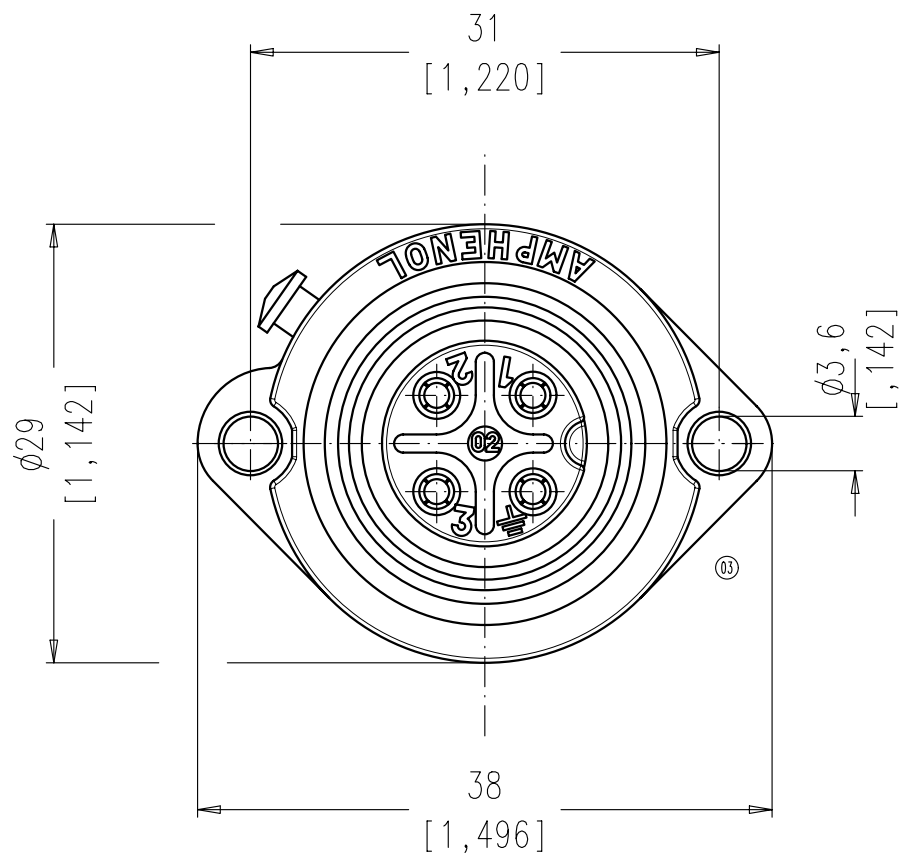
Tel: +86-755-8981 8866 Fax: +86-755-8427 6832

Email & Skype: info@chipsmall.com Web: www.chipsmall.com

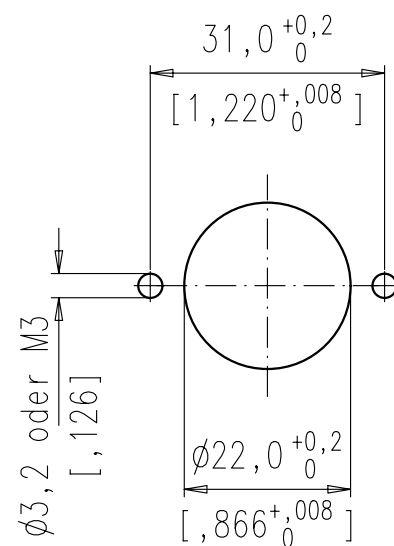
Address: A1208, Overseas Decoration Building, #122 Zhenhua RD., Futian, Shenzhen, China



Copying of this document and giving it to others and the use or communication of the contents thereof, are forbidden without express authority. Offenders are liable to the payment of damages. All rights are reserved in the event of the grant of a patent or the registration of the utility model or design.



Montageausschnitt
panel cutout



Montagebohrung ohne Anfasung/
Mounting hole without chamfer.

Geeignete Schraubenabdichtung ist vorzusehen/
Suitable sealing for screws is necessary

Polzahl / No. of contacts	3 + PE
Anschlußart / Termination	schrauben / screw
Anschlußquerschnitt / Wire gauge	0,75 mm ² - 2,5 mm ² AWG 18 - 14 [Ⓜ]
Bemessungsspannung / Rated insulation voltage	400 V
Strombelastbarkeit / Current carrying capacity	16 A / +55°C 16 A / +131°F
Betriebstemperatur / Operating temperature	-40°C ... +100°C -40°F ... +212°F
Schutzart / Protection Class	IP 65 - IP 67
Verriegelung / Locking system	Schraubverriegelung / threaded coupling

Gewicht (errechnet) / Calc WT:	9	Zul. Abw. / Tolerances:	Maßstab / Scale 2:1; 1:1	A3	
Prüfmaß / Test dimension			CUSTOMER DRAWING		
Teileindex Part index number			Gerätedose 3+PE mit Schraubanschluss female connector, screw type		
		05	Datum / Date	Name	
		Gez.	13.01.	Cionvica	
		Drawn			
		Gepr.			
		Checked			
03	200900003	10.12.09	Gr.	Amphenol-Tuchel Electronics GmbH	
02	200700032	16.01.07	CI		
01	200400178	13.01.05	CI		
Index	Änderung / Description	Datum / Date	Name	Ers. f. / Similar to:	
				M	C016 20G003 100 12
					Blatt / Sheet 1
					1 Bl.

Weitergabe sowie Vervielfältigung dieser Unterlage, Verwertung und Mitteilung ihres Inhalts nicht gestattet, soweit nicht ausdrücklich zugestanden. Zuwiderhandlungen verpflichten zu Schadenersatz. Alle Rechte für den Fall der Patenterteilung oder Gebrauchsmuster-Eintragung vorbehalten.