



Chipsmall Limited consists of a professional team with an average of over 10 year of expertise in the distribution of electronic components. Based in Hongkong, we have already established firm and mutual-benefit business relationships with customers from,Europe,America and south Asia,supplying obsolete and hard-to-find components to meet their specific needs.

With the principle of “Quality Parts,Customers Priority,Honest Operation,and Considerate Service”,our business mainly focus on the distribution of electronic components. Line cards we deal with include Microchip,ALPS,ROHM,Xilinx,Pulse,ON,Everlight and Freescale. Main products comprise IC,Modules,Potentiometer,IC Socket,Relay,Connector.Our parts cover such applications as commercial,industrial, and automotives areas.

We are looking forward to setting up business relationship with you and hope to provide you with the best service and solution. Let us make a better world for our industry!



Contact us

Tel: +86-755-8981 8866 Fax: +86-755-8427 6832

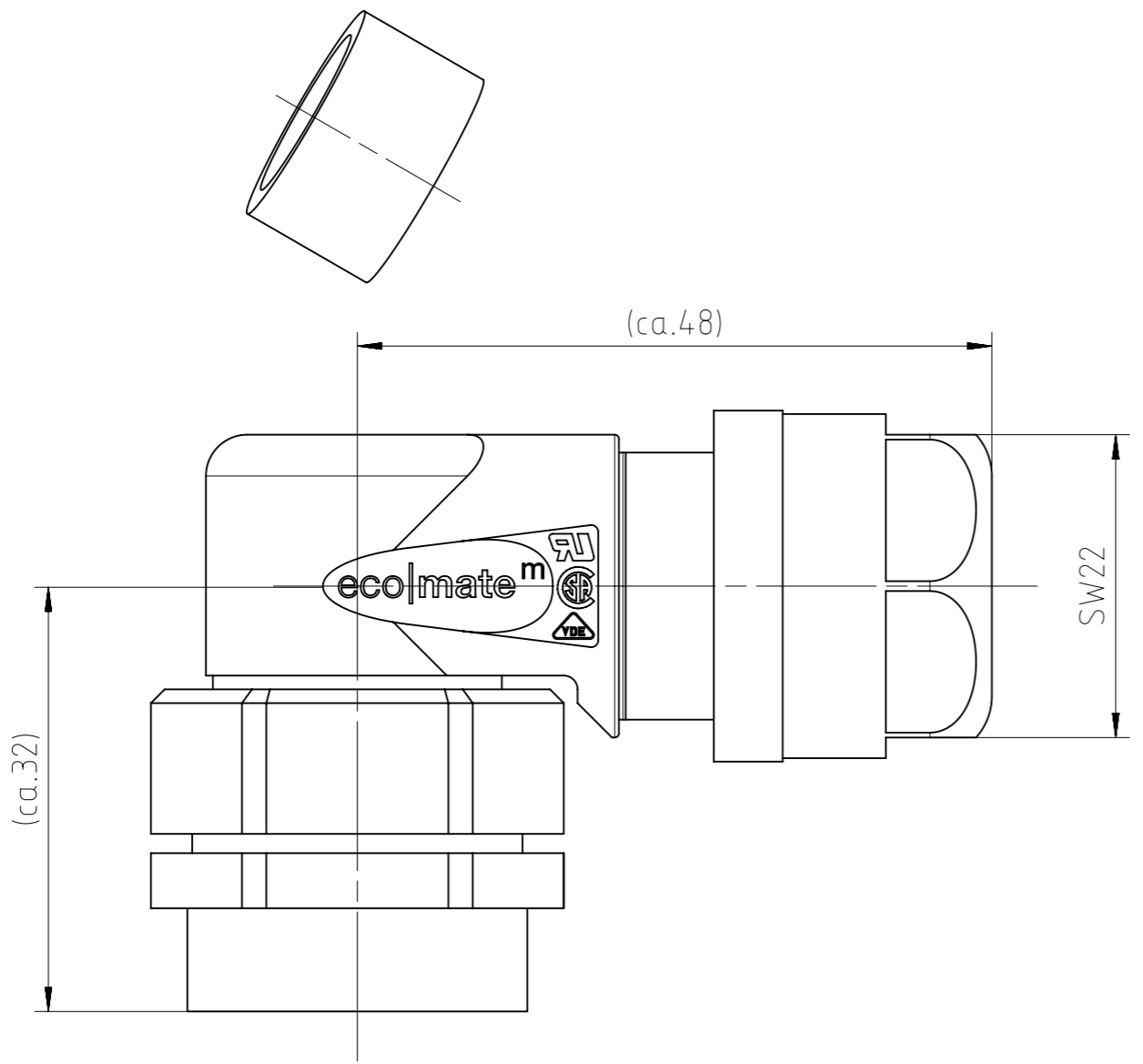
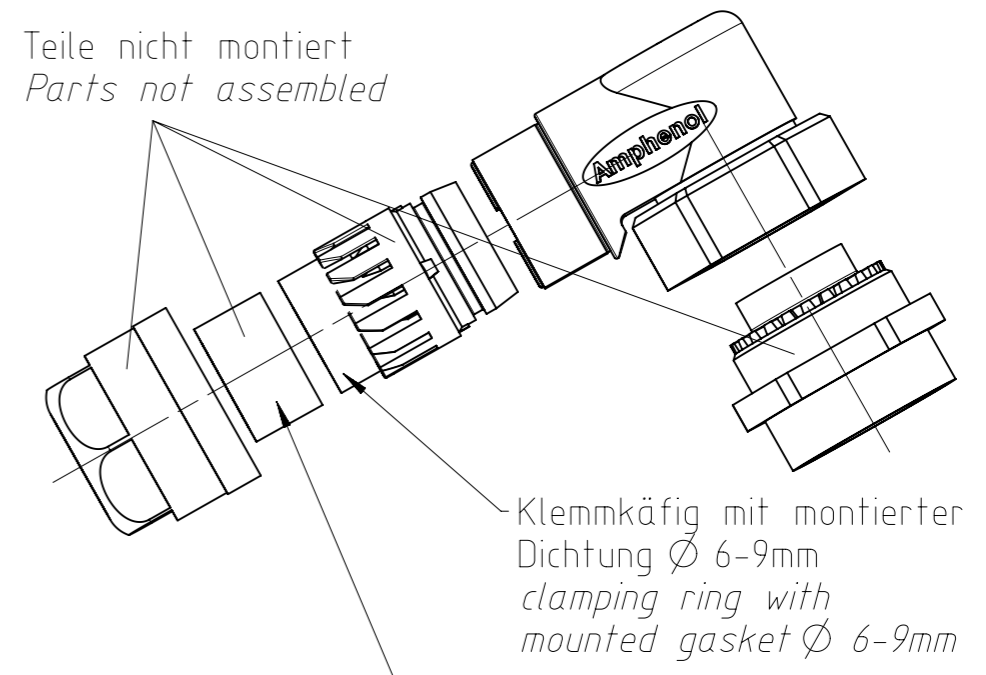
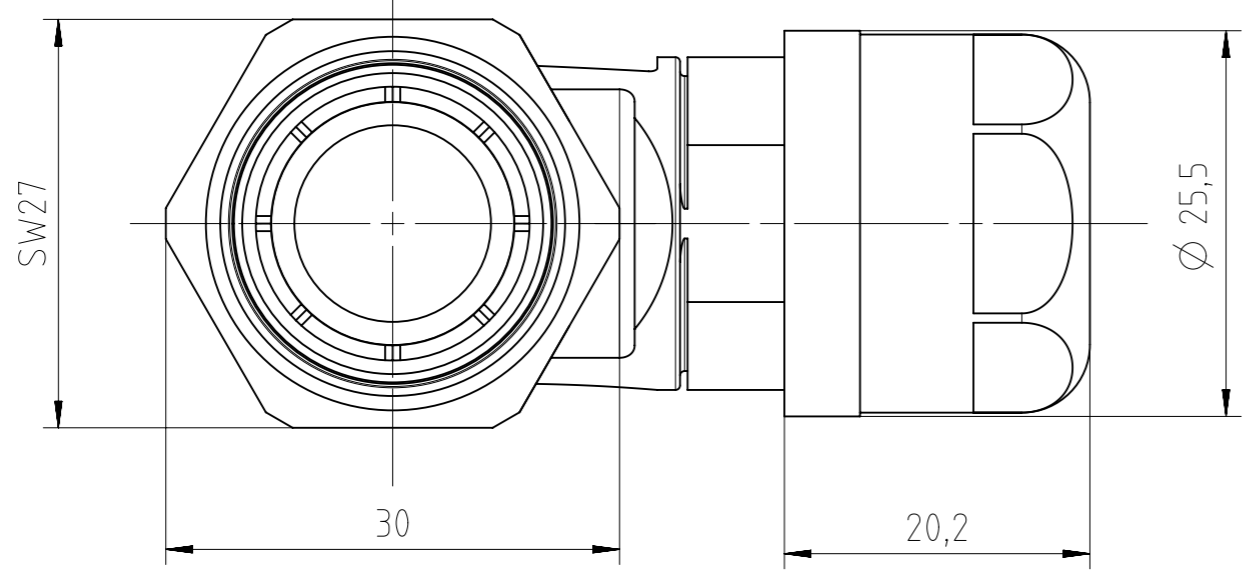
Email & Skype: info@chipsmall.com Web: www.chipsmall.com

Address: A1208, Overseas Decoration Building, #122 Zhenhua RD., Futian, Shenzhen, China



Copying of this document and giving it to others and the use or communication of the contents thereof, are forbidden without express authority. Offenders are liable to the payment of damages. All rights are reserved in the event of the grant of a patent or the registration of the utility model or design.

 Weitergabe sowie Vervielfältigung dieser Unterlage, Verwertung und Mitteilung ihres Inhalts nicht gestattet, soweit nicht ausdrücklich zugestanden. Zuwiderhandlungen verpflichten zu Schadenersatz. Alle Rechte für den Fall der Patenterteilung oder Gebrauchsmuster-Eintragung vorbehalten.



Werkstoff Gehäuse PA 6.6
Werkstoff Klemmkäfig PBT
Werkstoff Dichtung Neopren

Housing material PA 6.6
clamping ring material PBT
gasket material: Neopren

Winkelhülse Farbe: schwarz
angle ferrule color: black

Verpackungseinheit: 10 Stück
Packaging unit 10 parts

Gewicht (errechnet) / Calc WT: 0,4 kg		Zul. Abw./Tolerances:		Maßstab / Scale: 2:1		A3					
Prüfmaß / Testdimension		ISO 2768-cK				CUSTOMER DRAWING					
Teileindex / Partindexnumber		Datum/Date		Name							
		28.10.2016		MTOLK		Winkelgehäuse schwarz Backshell, right angled, black					
		Gez./Drawn		Inspector: 03.11.2016 MGRIM							
		Status: Released				M C016 G09 041 G10 X					
		Inspector: 03.11.2016 MGRIM									
		Amphenol-Tuchel Electronics GmbH				Blatt/Sheet 1 1 Bl.					
01 201600764		28.10.2016 MTOLK									
Index		Änderung/Description		Datum/Date		Name		4.020.501		Ers. f. / Replacement for:	