



Chipsmall Limited consists of a professional team with an average of over 10 year of expertise in the distribution of electronic components. Based in Hongkong, we have already established firm and mutual-benefit business relationships with customers from,Europe,America and south Asia,supplying obsolete and hard-to-find components to meet their specific needs.

With the principle of "Quality Parts,Customers Priority,Honest Operation,and Considerate Service",our business mainly focus on the distribution of electronic components. Line cards we deal with include Microchip,ALPS,ROHM,Xilinx,Pulse,ON,Everlight and Freescale. Main products comprise IC,Modules,Potentiometer,IC Socket,Relay,Connector.Our parts cover such applications as commercial,industrial, and automotives areas.

We are looking forward to setting up business relationship with you and hope to provide you with the best service and solution. Let us make a better world for our industry!



Contact us

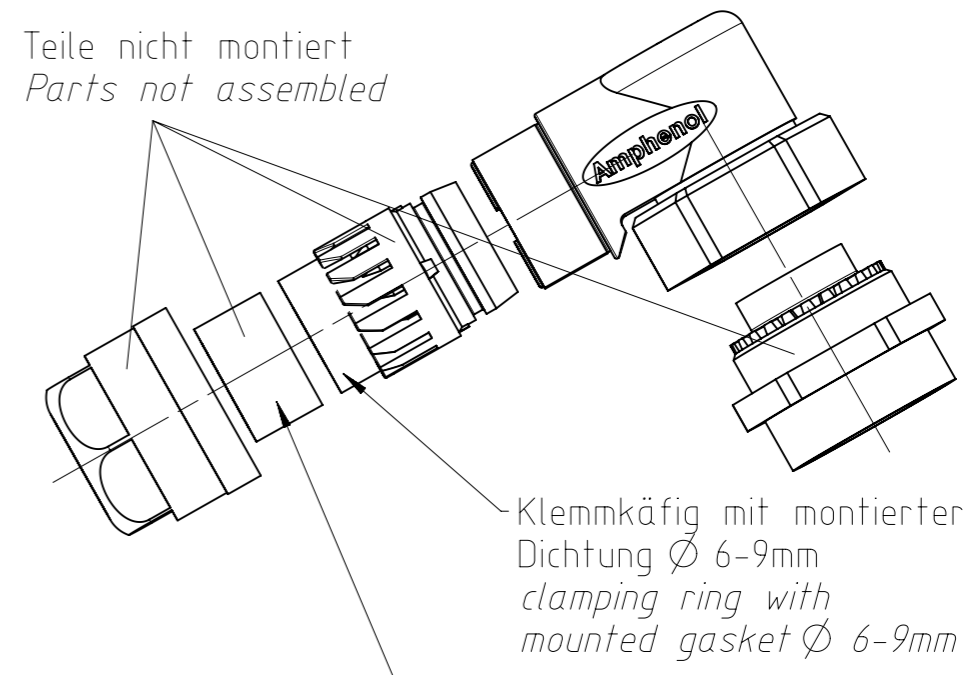
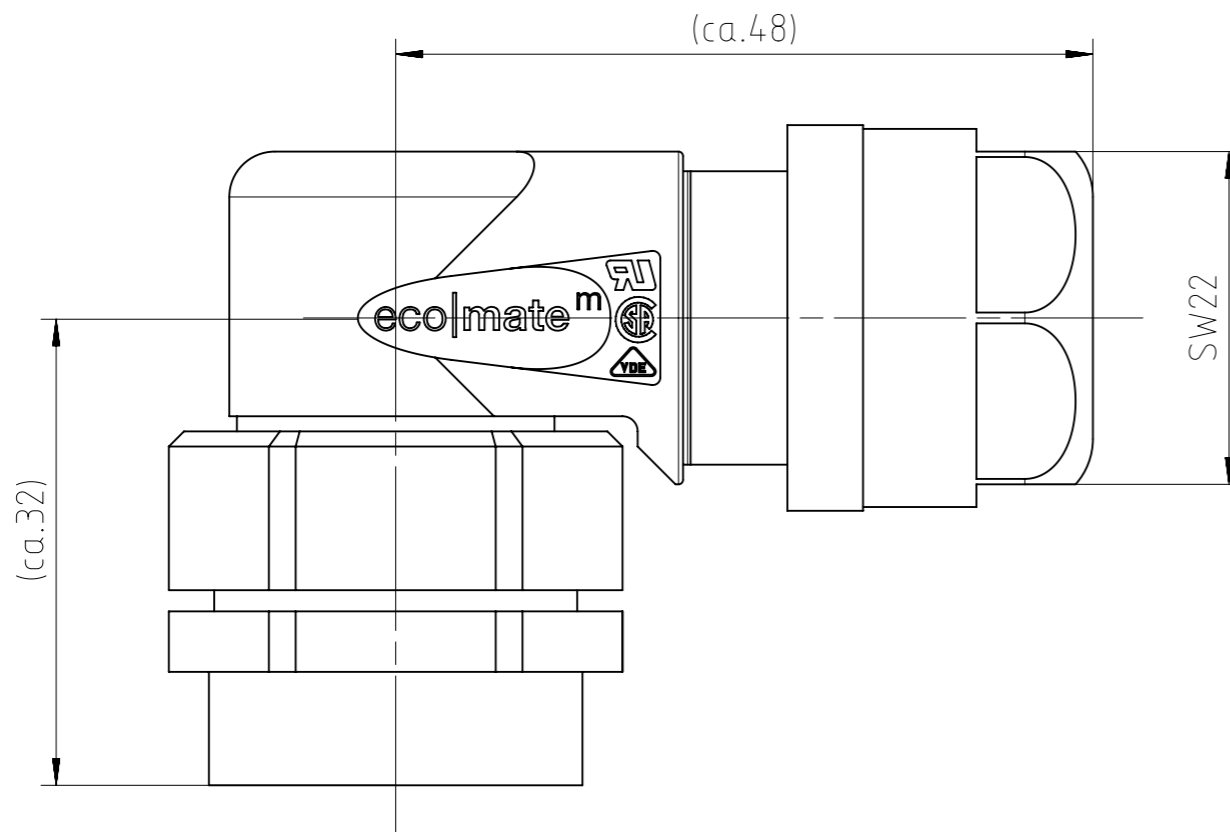
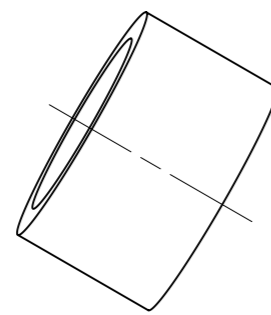
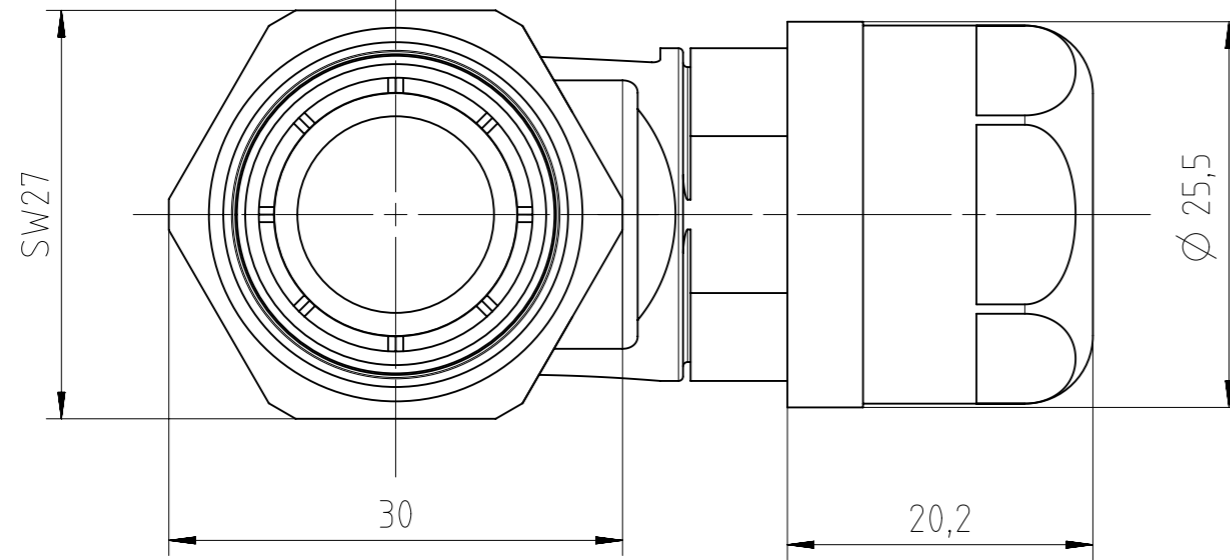
Tel: +86-755-8981 8866 Fax: +86-755-8427 6832

Email & Skype: info@chipsmall.com Web: www.chipsmall.com

Address: A1208, Overseas Decoration Building, #122 Zhenhua RD., Futian, Shenzhen, China



Copying of this document and giving it to others and the use or communication of the contents thereof, are forbidden without express authority. Offenders are liable to the payment of damages. All rights are reserved in the event of the grant of a patent or the registration of the utility model or design.



Dichtung beige packt Ø 9-12,5mm
 additionally included gasket Ø 9-12,5mm

Werkstoff Gehäuse PA 6.6
 Werkstoff Klemmkäfig PBT
 Werkstoff Dichtung Neopren

Housing material PA 6.6
 clamping ring material PBT
 gasket material: Neopren

Winkelhülse Farbe: schwarz
 angle ferrule color: black

Verpackungseinheit: 10 Stück
 Packaging unit 10 parts

Weitergabe sowie Vervielfältigung dieser Unterlage, Verwertung und Mitteilung ihres Inhalts nicht gestattet, soweit nicht ausdrücklich zugestanden. Zuwiderhandlungen verpflichten zu Schadenersatz. Alle Rechte für den Fall der Patenterteilung oder Gebrauchsmuster-Eintragung vorbehalten.

Gewicht (errechnet) / Calc WT: 0,4 kg		Zul. Abw./Tolerances:		Maßstab / Scale: 2:1		A3			
Prüfmaß / Testdimension		ISO 2768-cK				CUSTOMER DRAWING			
Teileindex / Partindexnumber		Datum/Date		Name					
		28.10.2016		MTOLK		Winkelgehäuse schwarz Backshell, right angled, black			
		Gez. / Drawn		Inspector: 03.11.2016 MGRIM					
		Status: Released				M C016 G09 041 G10 X			
		Inspector: 03.11.2016 MGRIM							
		Amphenol-Tuchel				Blatt / Sheet 1			
		Electronics GmbH							
01	201600764	28.10.2016	MTOLK			Ers. f. / Replacement for:			
Index	Änderung / Description	Datum / Date	Name	4.020.501					