



Chipsmall Limited consists of a professional team with an average of over 10 year of expertise in the distribution of electronic components. Based in Hongkong, we have already established firm and mutual-benefit business relationships with customers from,Europe,America and south Asia,supplying obsolete and hard-to-find components to meet their specific needs.

With the principle of "Quality Parts,Customers Priority,Honest Operation,and Considerate Service",our business mainly focus on the distribution of electronic components. Line cards we deal with include Microchip,ALPS,ROHM,Xilinx,Pulse,ON,Everlight and Freescale. Main products comprise IC,Modules,Potentiometer,IC Socket,Relay,Connector.Our parts cover such applications as commercial,industrial, and automotives areas.

We are looking forward to setting up business relationship with you and hope to provide you with the best service and solution. Let us make a better world for our industry!



Contact us

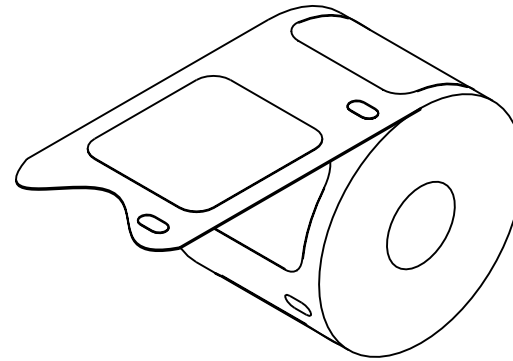
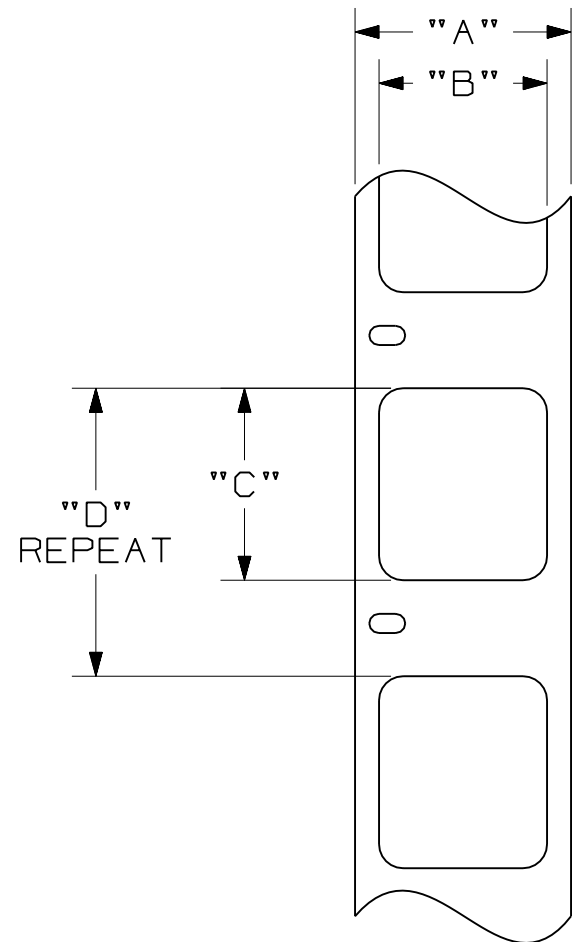
Tel: +86-755-8981 8866 Fax: +86-755-8427 6832

Email & Skype: info@chipsmall.com Web: www.chipsmall.com

Address: A1208, Overseas Decoration Building, #122 Zhenhua RD., Futian, Shenzhen, China



NOTES:
 1. SEE MFG. DWG. NO. A61318.
 2. DIMENSIONS IN [] ARE IN MILLIMETERS.



PANDUIT PART NO.	MATERIAL	"A"	"B"	"C"	"D"	LABELS/ROLL
C061X030FJC	WHITE POLYESTER GMPO	0.85 [21.59]	0.610 [15.49]	0.300 [7.62]	0.625 [15.88]	500
C125X030FJC	WHITE POLYESTER GMPO	0.63 [16.00]	0.300 [7.62]	1.250 [31.75]	1.500 [38.10]	200
C188X030FJC	WHITE POLYESTER GMPO	0.63 [16.00]	0.300 [7.62]	1.875 [47.63]	2.125 [53.98]	150
C200X100FJC	WHITE POLYESTER GMPO	1.13 [28.70]	1.000 [25.40]	2.000 [50.80]	2.250 [57.15]	150
C252X030FJC	WHITE POLYESTER GMPO	0.63 [16.00]	0.300 [7.62]	2.520 [64.01]	2.875 [73.03]	125
C261X030FJC	WHITE POLYESTER GMPO	0.63 [16.00]	0.300 [7.62]	2.610 [66.29]	2.875 [73.03]	125
C315X030FJC	WHITE POLYESTER GMPO	0.63 [16.00]	0.300 [7.62]	3.150 [80.01]	3.500 [88.90]	100
C379X030FJC	WHITE POLYESTER GMPO	0.63 [16.00]	0.300 [7.62]	3.790 [96.27]	4.125 [104.78]	75

CAD FILENAME/LAYERS 100472MA_C10413_CxxxXxxxX FJC_00.PRT

										PANDUIT CORP TINLEY PARK, ILLINOIS CUSTOMER DRAWING LSB COMPONENT LABELS C***X***FJC					
										UNLESS OTHERWISE SPECIFIED, DIMENSIONAL TOLERANCES ARE: (.X) ± .030 ANGLS ± .015 (.XX) ± .030 ANGLS ±		UNLESS OTHERWISE SPECIFIED, ALL DIMENSIONS ARE GIVEN IN INCHES, THIRD ANGLE PROJECTION			
										DRAWN BY RVU		MAT'L: SEE TABLE		SCALE NTS	
										DATE 5-11-06		DRAWING NO. C10413		DWG B SIZE	
0	5-11-06	RVU		DRAWING RELEASE				4503	R			CHK'D			
REV	DATE	BY	CHK	DESCRIPTION				ECN	R	CUST	SUP				