



Chipsmall Limited consists of a professional team with an average of over 10 year of expertise in the distribution of electronic components. Based in Hongkong, we have already established firm and mutual-benefit business relationships with customers from,Europe,America and south Asia,supplying obsolete and hard-to-find components to meet their specific needs.

With the principle of "Quality Parts,Customers Priority,Honest Operation,and Considerate Service",our business mainly focus on the distribution of electronic components. Line cards we deal with include Microchip,ALPS,ROHM,Xilinx,Pulse,ON,Everlight and Freescale. Main products comprise IC,Modules,Potentiometer,IC Socket,Relay,Connector.Our parts cover such applications as commercial,industrial, and automotives areas.

We are looking forward to setting up business relationship with you and hope to provide you with the best service and solution. Let us make a better world for our industry!



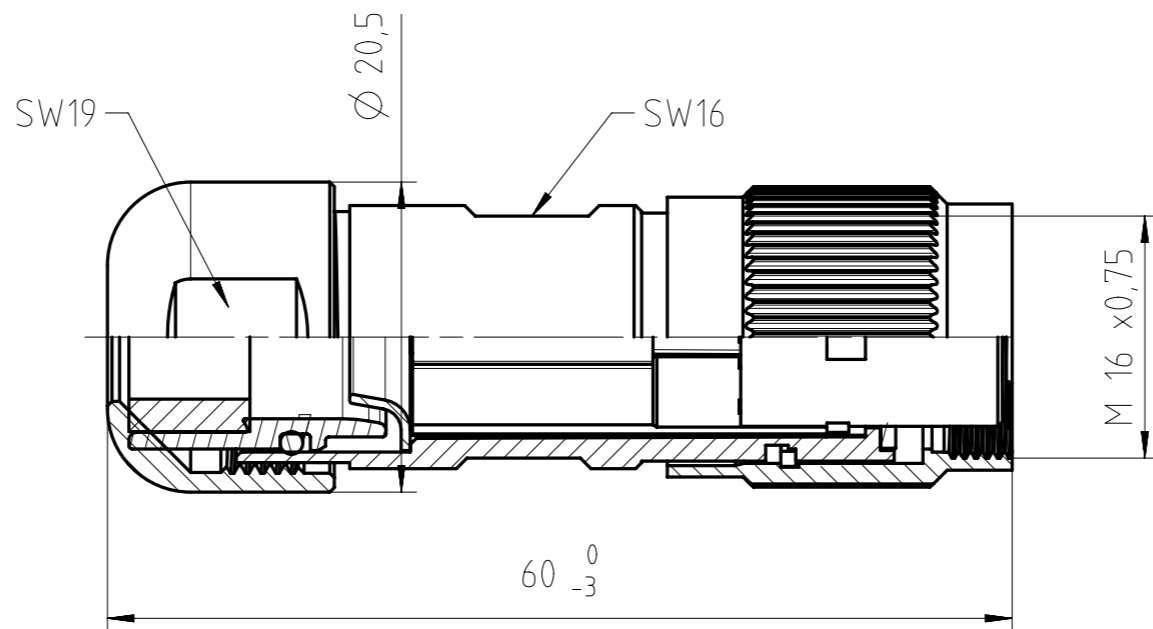
## Contact us

Tel: +86-755-8981 8866 Fax: +86-755-8427 6832

Email & Skype: info@chipsmall.com Web: www.chipsmall.com

Address: A1208, Overseas Decoration Building, #122 Zhenhua RD., Futian, Shenzhen, China





Ⓜ Assembly instruction see N 22 091 0024

|                                 |                 |  |      |              |             |              |      |              |      |          |      |
|---------------------------------|-----------------|--|------|--------------|-------------|--------------|------|--------------|------|----------|------|
| Number of contacts              | Standard        | 3  | 4    | 5            | 5           | 6            | 7    | 7            | 8    | 12       | 14   |
| Contact arrangement             | IEC 61076-2-106 | 03-a   | 04-a | 05-a         | 05-b        | 06-a         | 07-a | 07-b         | 08-a | 12-a     | 14-a |
| Rated voltage                   | IEC 60664-1     | 150 V  |      | 100 V        |             |              |      |              |      | 32 V     |      |
| Rated impulse withstand voltage | IEC 60664-1     | 2500 V   |      | 1500 V       |             |              |      |              |      | 800 V    |      |
| Pollution degree                | IEC 60664-1     | 3 <sup>n</sup>   |      |              |             |              |      |              |      |          |      |
| Installation category           | IEC 60664-1     | III  |      |              |             |              |      |              |      |          |      |
| Insulation group                | IEC 60664-1     | II   |      |              |             |              |      |              |      |          |      |
| Current rating                  | IEC 60512-5-3   | 10A/+40°C  |      | 7A/+40°C     |             |              |      |              |      | 3A/+40°C |      |
| Insulation resistance           | IEC 60512-3-1   | >10 <sup>10</sup> Ohm <sup>m²</sup>  |      |              |             |              |      |              |      |          |      |
| Contact resistance              | IEC 60512-2-1   | <5mOhm   |      |              |             |              |      |              |      |          |      |
| Climatic category               | IEC 60668-1     | 40 / 100 / 21  |      |              |             |              |      |              |      |          |      |
| Temperatur range                |                 | -40°C...+100°C   |      |              |             |              |      |              |      |          |      |
| IP degree                       | IEC 60529       | IP 68  |      |              |             |              |      |              |      |          |      |
| Insertion and withdrawal force  | IEC 60512-13-2  | 25N  | 30N  | 35N          | 35N         | 50N          | 55N  | 55N          | 60N  | 50N      | 50N  |
| mechanical operation            | IEC 60512-9-1   | ≥500   |      |              |             |              |      |              |      |          |      |
| material housing                |                 | Zinc die cast, nickel plated   |      |              |             |              |      |              |      |          |      |
| dielectric material             |                 | Thermoplast  |      |              |             |              |      |              |      |          |      |
| sealing material                |                 | Chloroprene  |      |              |             |              |      |              |      |          |      |
| contacts                        |                 | silver or gold plated, please order contacts separately acc. to drawing M-N 02 015 00XX X (3-8pol) or M-N 02 010 0158 X (12-14pol) |      |              |             |              |      |              |      |          |      |
| termination technique           |                 | crimp  |      |              |             |              |      |              |      |          |      |
| wire gauge                      |                 | 0,09-1,0mm²  |      | 0,09-0,75mm² | 0,09-1,0mm² | 0,09-0,75mm² |      | 0,09-0,25mm² |      |          |      |
| flamability                     |                 | UL 94 V0   |      |              |             |              |      |              |      |          |      |
| locking system                  |                 | metal screw coupling; tightening torque 0,5 - 0,7Nm  |      |              |             |              |      |              |      |          |      |

<sup>n</sup> under operating conditions >10<sup>9</sup> Ohm  
<sup>m</sup> designed according pollution degree 2, can be used under pollution degree 3 if the rules according IEC 60664-1 are fulfilled  
 All technical data have been measured in a laboratory environment and can be different during practical usage of the product. Any product information is for descriptive usage only and not legally binding; particularly the information does not constitute or provide any legal guaranties ("Beschaffheitsgarantie" or "Haltbarkeitsgarantie").  
 Do not connect or disconnect under load. Metal housing parts shall be securely incorporated to protected ground.

|   |   |                     |
|---|---|---------------------|
|   | 14<br>(14-a)  | C091 11D014 001 4 U |
|   | 12<br>(12-a)  | C091 11D012 001 4 U |
|   | 8<br>(08-a)   | C091 11D008 001 4 U |
|   | 7<br>(07-b)   | C091 11D107 001 4 U |
|   | 7<br>(07-a)   | C091 11D007 001 4 U |
|   | 6<br>(06-a)   | C091 11D006 001 4 U |
|   | 5<br>(05-b)   | C091 11D105 001 4 U |
|   | 5<br>(05-a)   | C091 11D005 001 4 U |
|   | 4<br>(04-a)   | C091 11D004 001 4 U |
|   | 3<br>(03-a)   | C091 11D003 001 4 U |
| Contact arrangement View on mating side | Number of contacts (Contact arrangement acc. IEC 61076-2-106) | Part number         |

|                                  |  |                       |  |                                  |  |                                       |  |               |  |
|----------------------------------|--|-----------------------|--|----------------------------------|--|---------------------------------------|--|---------------|--|
| Gewicht (errechnet) / Calc WT: g |  | Zul. Abw./Tolerances: |  | Maßstab / Scale: 2:1             |  | A3                                    |  |               |  |
| Prüfmaß / Testdimension          |  | DIN / ISO 13715       |  | Material: female cable connector |  | Oberfläche: for cable diameters 6-8mm |  |               |  |
| Teileindex Partindexnumber       |  | 2013 Datum/Date       |  | Name                             |  | 24.06.                                |  | Carle         |  |
|                                  |  | Gez. Drawn            |  | Gepr. Checked                    |  | i.f.f.                                |  |               |  |
| 02 201300837                     |  | 04.12.13              |  | IM                               |  | Amphenol-Tuchel Electronics GmbH      |  | Blatt/Sheet 1 |  |
| 01 201300382                     |  | 02.07.13              |  | CM                               |  | M C091 11DXXX 001 4 U                 |  | 1 Bl.         |  |
| Index Änderung/Description       |  | Datum/Date            |  | Name                             |  | Ers. f. / Replacement for:            |  |               |  |

Copying of this document and giving it to others and the use or communication of the contents thereof, are forbidden without express authority. Offenders are liable to the payment of damages. All rights are reserved in the event of the grant of a patent or the registration of the utility model or design.  
 Weitergabe sowie Vervielfältigung dieser Unterlage, Verwertung und Mitteilung ihres Inhalts nicht gestattet, soweit nicht ausdrücklich zugestanden. Zuwiderhandlungen verpflichten zu Schadenersatz. Alle Rechte für den Fall der Patenterteilung oder Gebrauchsmuster-Eintragung vorbehalten.