



Chipsmall Limited consists of a professional team with an average of over 10 year of expertise in the distribution of electronic components. Based in Hongkong, we have already established firm and mutual-benefit business relationships with customers from,Europe,America and south Asia,supplying obsolete and hard-to-find components to meet their specific needs.

With the principle of “Quality Parts,Customers Priority,Honest Operation,and Considerate Service”,our business mainly focus on the distribution of electronic components. Line cards we deal with include Microchip,ALPS,ROHM,Xilinx,Pulse,ON,Everlight and Freescale. Main products comprise IC,Modules,Potentiometer,IC Socket,Relay,Connector.Our parts cover such applications as commercial,industrial, and automotives areas.

We are looking forward to setting up business relationship with you and hope to provide you with the best service and solution. Let us make a better world for our industry!



Contact us

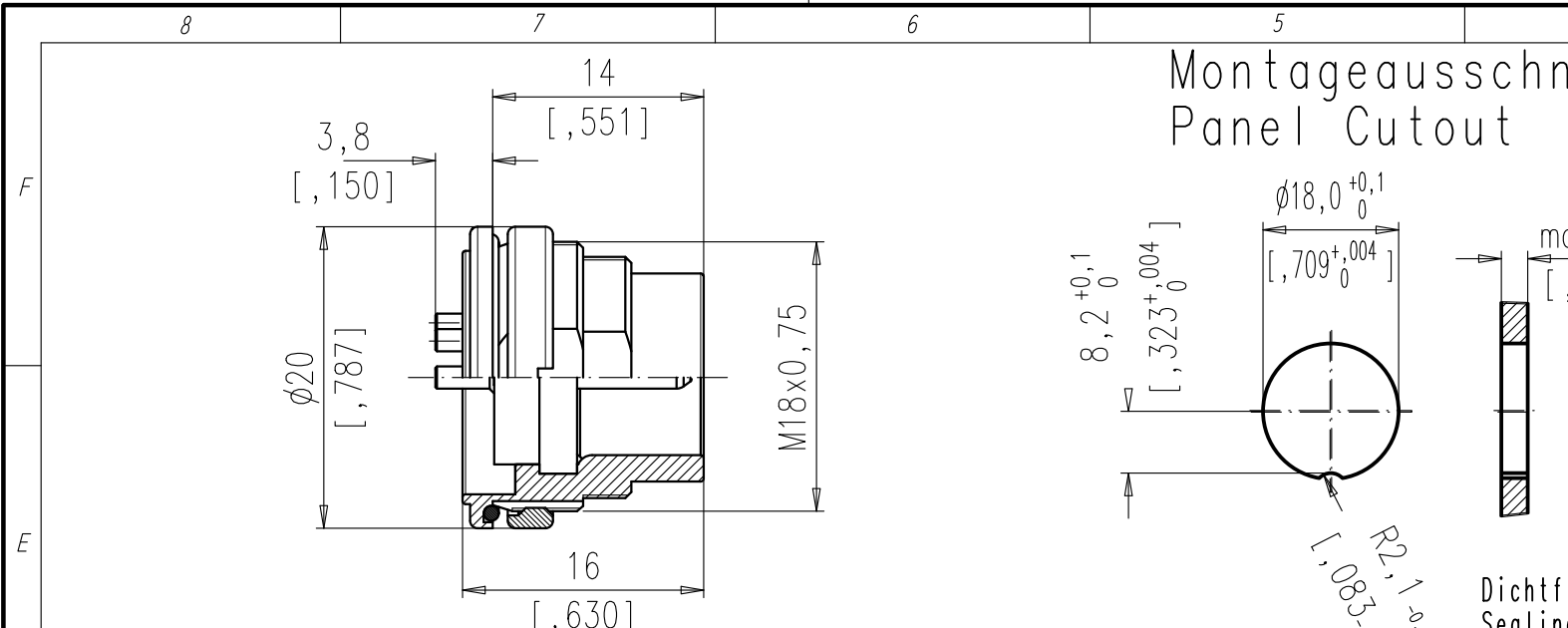
Tel: +86-755-8981 8866 Fax: +86-755-8427 6832

Email & Skype: info@chipsmall.com Web: www.chipsmall.com

Address: A1208, Overseas Decoration Building, #122 Zhenhua RD., Futian, Shenzhen, China



Copying of this document and giving it to others and the use or communication of the contents thereof, are forbidden without express authority. Offenders are liable to the payment of damages. All rights are reserved in the event of the grant of a patent or the registration of the utility model or design.



Montageausschnitt M 1:1
Panel Cutout

Dichtfläche eben und gratfrei.
Sealing area must be flat and polished.

All technical data have been measured in a laboratory environment and can be different during practical usage of the product. Any product information is for descriptive usage only and not legally binding; particularly the information does not constitute or provide any legal guarantees (*Beschaffenheitsgarantie* or *Haltbarkeitsgarantie*)

Alle technischen Daten wurden unter Laborbedingungen ermittelt und können im Praxisbetrieb abweichen. Es handelt sich bei den Angaben weder um Beschaffenheits- noch um Haltbarkeitsgarantien

Polzahl number of contacts	Norm standard	3	4	5	5S	6	7	7S	8	12	14	
Kontaktdaten nach DIN contact arrangement acc. to DIN		41 524	-	-	41 524	45 322	-	45 329	45 326	-	-	
Kontaktdaten nach IEC contact arrangement acc. to IEC		60130-9	60130-9	-	60130-9	60130-9	-	60130-9	60130-9	-	-	
Bemessungsspannung rated voltage	IEC 60664-1	300V =		100V =	300V =		100V =		150V =			
Bemessungsspannung rated voltage	UL 1977	250V									60V	
Bemessungs-Stoßspannung rated impulse withstand voltage	IEC 60664-1	1500V		1200V	1500V		1200V					
Verschmutzungsgrad pollution degree	IEC 60664-1	1										
Überspannungskategorie installation category	IEC 60664-1	I										
Isolierstoffgruppe insulation group	IEC 60664-1	II, 400 ≤ CTI < 600										
Strombelastbarkeit current rating	IEC 60512-5-2 Test 5b UL 1977	5A / +40°C / +104°F							3A / +40°C / +104°F			
Isolationswiderstand insulation resistance	IEC 60512-3-1 Test 3a	>10 ¹⁰ Ω										
Durchgangswiderstand contact resistance	IEC 60512-2-1 Test 2a	< 5m Ω										
Prüfklasse climatic category	IEC 60668-1	40/100/56										
Temperaturbereich temperatur range		- 40°C ... +100°C - 40°F ... +212°F										
IP-Schutzart IP-degree	IEC 60529	IP 67 / IP 65										
Steck- und Ziehkraft insertion and withdrawal force	IEC 60512-13-2 Test 13b	25 N	30 N	35 N	50 N	55 N	60 N	50 N				
Mechanische Lebensdauer mechanical operation	IEC 60512 Test 9a	silber/silver ≥ 500 Steckzyklen/mating cycles gold/gold ≥ 1000 Steckzyklen/mating cycles										
Werkstoff Gehäuse housing material		Zink-Druckguß? Oberfläche vernickelt die cast, nickel plated										
Werkstoff Kontaktträger dielectric material		Thermoplast thermoplastic										
Werkstoff Dichtung sealing material		Neoprene neoprene										
Kontaktoberfläche contact plating		versilbert/vergoldet * silver plated/gold/plated										
Anschlusstechnik termination technique		löten solder										
Anschlussquerschnitt wire gauge		löten ≤ 0,5 mm ² solder ≤ 0,5 mm ²							≥ 0,25 mm ²			
Brennbarkeit flammability		UL 94 V0										
Verriegelung locking system	IEC 60130-9	schrauben; Anzugsmoment 0,5-0,7 Nm metal screw coupling; tightening torque 0,5-0,7 Nm										

	14	C091 31C014 100 2 U	C091 31C014 200 2 U
	12	C091 31C012 100 2 U	C091 31C012 200 2 U
	8 IEC	C091 31C008 100 2 U	C091 31C008 200 2 U
	7 IEC	C091 31C107 100 2 U	C091 31C107 200 2 U
	7	C091 31C007 100 2 U	C091 31C007 200 2 U
	6	C091 31C006 100 2 U	C091 31C006 200 2 U
	5	C091 31C005 100 2 U	C091 31C005 200 2 U
	5 IEC	C091 31C105 100 2 U	C091 31C105 200 2 U
	4	C091 31C004 100 2 U	C091 31C004 200 2 U
	3	C091 31C003 100 2 U	C091 31C003 200 2 U
SYMBOL symbol	POLZAHL number of contacts	TYP-NUMMER-Ag type-number-Ag	TYP-NUMMER-Au type-number-Au

Diese Steckverbinder dürfen betriebsmäßig nicht unter Spannung betätigt werden. Metallene Gehäuseteile sind sicher mit dem Schutzleitersystem zu verbinden.
Do not connect or disconnect under load. Metal housing parts shall be securely incorporated to protected ground.

* Hinweis für vergoldete Anschlüsse:
Zur Vermeidung von spröden intermetallischen Verbindungen müssen vergoldete Anschlüsse vor dem eigentlichen Lötvorgang verzinkt werden.
Remark for gold plated contacts:
In order to avoid brittle inter-metallic connections, gold-plated terminals have to be tin-plated in the solder area.
Teile entsprechen der Richtlinie 2002/95/EG (RoHS)/ parts according to directive 2002/95/EG (RoHS)

Gewicht (errechnet)/ Calc WT:	9	Zul. Abw./Tolerances:	Maßstab/Scale 2:1	A3
Prüfmaß/Test dimension			CUSTOMER DRAWING	
Teileindex Part index number		DIN 6784	Gerätestecker male receptacle	
		11 Datum/Date Name		
		Gez. 06.09. Peter.D		
		Drawn		
		Gepr.		
		Checked		
		Amphenol-Tuchel Electronics GmbH	Blatt/Sheet 1	
01	200900702	06.09.11 PD	M	C091 31CXXX X00 2 U
Index	Änderung/Description	Datum/Date	Name	Ers. f./Similar to: