



Chipsmall Limited consists of a professional team with an average of over 10 year of expertise in the distribution of electronic components. Based in Hongkong, we have already established firm and mutual-benefit business relationships with customers from,Europe,America and south Asia,supplying obsolete and hard-to-find components to meet their specific needs.

With the principle of “Quality Parts,Customers Priority,Honest Operation,and Considerate Service”,our business mainly focus on the distribution of electronic components. Line cards we deal with include Microchip,ALPS,ROHM,Xilinx,Pulse,ON,Everlight and Freescale. Main products comprise IC,Modules,Potentiometer,IC Socket,Relay,Connector.Our parts cover such applications as commercial,industrial, and automotives areas.

We are looking forward to setting up business relationship with you and hope to provide you with the best service and solution. Let us make a better world for our industry!



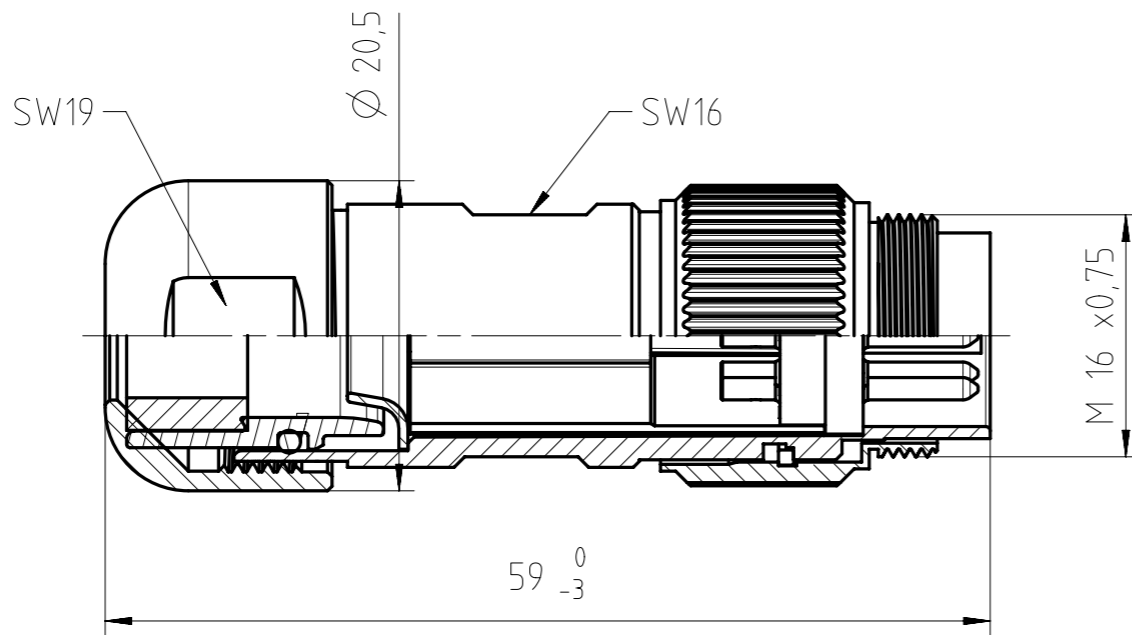
Contact us

Tel: +86-755-8981 8866 Fax: +86-755-8427 6832

Email & Skype: info@chipsmall.com Web: www.chipsmall.com

Address: A1208, Overseas Decoration Building, #122 Zhenhua RD., Futian, Shenzhen, China





② Assembly instruction see N 22 091 0023

Number of contacts	Standard	3	4	5	5	6	7	7	8	12	14
Contact arrangement	IEC 61076-2-106	03-a	04-a	05-a	05-b	06-a	07-a	07-b	08-a	12-a	14-a
Rated voltage	IEC 60664-1	150 V		100 V						32 V	
Rated impulse withstand voltage	IEC 60664-1	2500 V		1500 V						800 V	
Pollution degree	IEC 60664-1	3 ¹⁾									
Installation category	IEC 60664-1	III									
Insulation group	IEC 60664-1	II									
Current rating	IEC 60512-5-3	10A/+40°C			7A/+40°C					3A/+40°C	
Insulation resistance	IEC 60512-3-1	>10 ¹⁰ Ohm ²⁾									
Contact resistance	IEC 60512-2-1	<5mOhm									
Climatic category	IEC 60668-1	40 / 100 / 21									
Temperatur range	IEC 60668-1	-40°C...+100°C									
IP degree	IEC 60529	IP 68									
Insertion and withdrawal force	IEC 60512-13-2	25N	30N	35N	35N	50N	55N	55N	60N	50N	50N
mechanical operation	IEC 60512-9-1	≥500									
material housing		Zinc die cast, nickel plated									
dielectric material		Thermoplast									
sealing material		Chloroprene									
contacts		silver or gold plated									
termination technique		solder									
wire gauge		≤0,5mm ²					≤0,35mm ²				
flamability		UL 94 V0									
locking system		metal screw coupling; tightening torque 0,5 - 0,7Nm									

¹⁾ under operating conditions >10⁸ Ohm
²⁾ designed according pollution degree 2, can be used under pollution degree 3 if the rules according IEC 60664-1 are fulfilled
 All technical data have been measured in a laboratory environment and can be different during practical usage of the product. Any product information is for descriptive usage only and not legally binding, particularly the information does not constitute or provide any legal guaranties ("Beschaffheitsgarantie" or "Haltbarkeitsgarantie").
 Do not connect or disconnect under load. Metal housing parts shall be securely incorporated to protected ground.

	14 (14-a)	C091 31H014 101 4 U	C091 31H014 201 4 U
	12 (12-a)	C091 31H012 101 4 U	C091 31H012 201 4 U
	8 (08-a)	C091 31H008 101 4 U	C091 31H008 201 4 U
	7 (07-b)	C091 31H107 101 4 U	C091 31H107 201 4 U
	7 (07-a)	C091 31H007 101 4 U	C091 31H007 201 4 U
	6 (06-a)	C091 31H006 101 4 U	C091 31H006 201 4 U
	5 (05-b)	C091 31H105 101 4 U	C091 31H105 201 4 U
	5 (05-a)	C091 31H005 101 4 U	C091 31H005 201 4 U
	4 (04-a)	C091 31H004 101 4 U	C091 31H004 201 4 U
	3 (03-a)	C091 31H003 101 4 U	C091 31H003 201 4 U

Contact arrangement View on mating side	Number of contacts (Contact arrangement acc. IEC 61076-2-106)	Part number with silver plated contacts	Part number with gold plated contacts
Gewicht (errechnet) / Calc WT: g		Zul. Abw./Tolerances:	
Prüfmaß / Testdimension		DIN / ISO 13715	
Teileindex / Partindexnumber		Maßstab / Scale: 2:1	
2013		A3	
Gez. / Drawn		Material: Oberfläche:	
24.06.		male cable connector for cable diameters 6-8mm	
Gepr. / Checked		Name: Carle	
i.f.f.		Blatt/Sheet 1	
02 201300837 04.12.13 IM		M C091 31HXXX X01 4 U	
01 201300382 02.07.13 Cm		1 Bl.	
Index Änderung/Description Datum/Date Name		Ers. f. / Replacement for:	

Amphenol-Tuchel Electronics GmbH

Copying of this document and giving it to others and the use or communication of the contents thereof, are forbidden without express authority. Offenders are liable to the payment of damages. All rights are reserved in the event of the grant of a patent or the registration of the utility model or design.
 Weitergabe sowie Vervielfältigung dieser Unterlage, Verwertung und Mitteilung ihres Inhalts nicht gestattet, soweit nicht ausdrücklich zugestanden. Zuwiderhandlungen verpflichten zu Schadenersatz. Alle Rechte für den Fall der Patenterteilung oder Gebrauchsmuster-Eintragung vorbehalten.