



Chipsmall Limited consists of a professional team with an average of over 10 year of expertise in the distribution of electronic components. Based in Hongkong, we have already established firm and mutual-benefit business relationships with customers from,Europe,America and south Asia,supplying obsolete and hard-to-find components to meet their specific needs.

With the principle of “Quality Parts,Customers Priority,Honest Operation,and Considerate Service”,our business mainly focus on the distribution of electronic components. Line cards we deal with include Microchip,ALPS,ROHM,Xilinx,Pulse,ON,Everlight and Freescale. Main products comprise IC,Modules,Potentiometer,IC Socket,Relay,Connector.Our parts cover such applications as commercial,industrial, and automotives areas.

We are looking forward to setting up business relationship with you and hope to provide you with the best service and solution. Let us make a better world for our industry!



Contact us

Tel: +86-755-8981 8866 Fax: +86-755-8427 6832

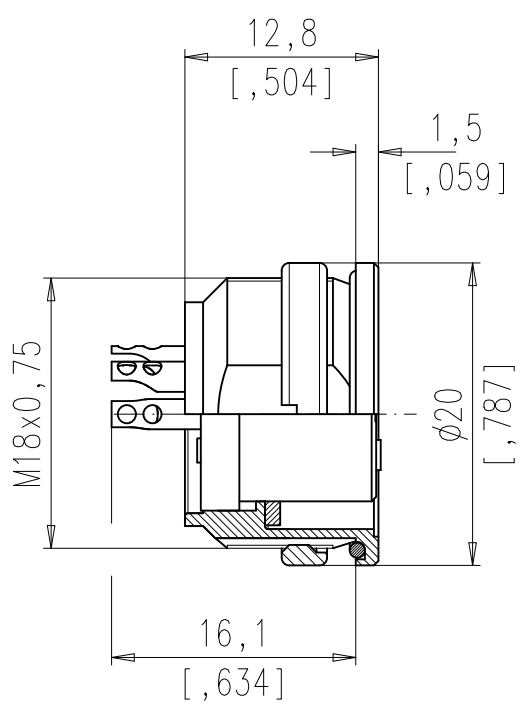
Email & Skype: info@chipsmall.com Web: www.chipsmall.com

Address: A1208, Overseas Decoration Building, #122 Zhenhua RD., Futian, Shenzhen, China

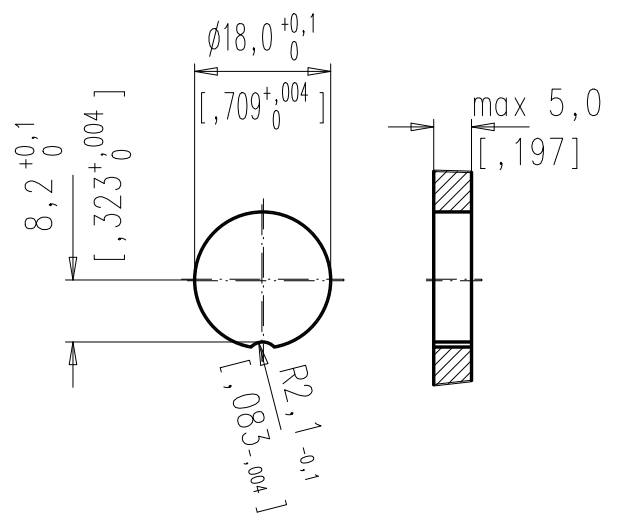


Copying of this document and giving it to others and the use or communication of the contents thereof, are forbidden without express authority. Offenders are liable to the payment of damages. All rights are reserved in the event of the grant of a patent or the registration of the utility model or design.

8 7 6 5 4 3 2 1



Montageausschnitt M 1:1
Panel Cutout



Dichtfläche eben und gratfrei.
Sealing area must be flat and polished.

| | | | | | | | | | | | | |
|--|-------------------------------------|---|---------|------|---------|---------|------|---------|------------------------|--------|----|--|
| Polzahl number of contacts | Norm standard | 3 | 4 | 5 | 5S | 6 | 7 | 7S | 8 | 12 | 14 | |
| Kontaktanordnung nach DIN contact arrangement acc. to DIN | | 41 524 | | - | 41 524 | 45 322 | - | 45 329 | 45 326 | - | - | |
| Kontaktanordnung nach IEC contact arrangement acc. to IEC | | 60130-9 | 60130-9 | - | 60130-9 | 60130-9 | - | 60130-9 | 60130-9 | - | - | |
| Bemessungsspannung rated voltage | IEC 60664-1 | 300V = | | | 100V = | 300V = | | | 100V = | 150V = | | |
| Bemessungsspannung rated voltage | UL 1977 | 250V | | | | | | | | 60V | | |
| Bemessungs-Stoßspannung rated impulse withstand voltage | IEC 60664-1 | 1500V | | | 1200V | 1500V | | | 1200V | | | |
| Verschmutzungsgrad pollution degree | IEC 60664-1 | 1 | | | | | | | | | | |
| Überspannungskategorie installation category | IEC 60664-1 | I | | | | | | | | | | |
| Isolierstoffgruppe insulation group | IEC 60664-1 | II, 400 ≤ CTI < 600 | | | | | | | | | | |
| Strombelastbarkeit current rating | IEC 60512-5-2 Test 5b UL 1977 | 5A / +40°C / +104°F | | | | | | | 3A / +40°C / +104°F | | | |
| Isolationswiderstand insulation resistance | IEC 60512-3-1 Test 3a | >10 ¹⁰ Ω | | | | | | | | | | |
| Durchgangswiderstand contact resistance | IEC 60512-2-1 Test 2a | < 5m Ω | | | | | | | | | | |
| Prüfklasse climatic category | IEC 60668-1 | 40/100/56 | | | | | | | | | | |
| Temperaturbereich temperatur range | | - 40°C ... +100°C - 40°F ... +212°F | | | | | | | | | | |
| IP-Schutzart IP-degree | IEC 60529 | IP 67 / IP 65 | | | | | | | | | | |
| Steck- und Ziehkraft insertion and withdrawal force | IEC 60512-13-2 Test 13b | 25 N | 30 N | 35 N | 50 N | 55 N | 60 N | 50 N | | | | |
| Mechanische Lebensdauer mechanical operation | IEC 60512 Test 9a | silber/silver ≥ 500 Steckzyklen/mating cycles gold/gold ≥ 1000 Steckzyklen/mating cycles | | | | | | | | | | |
| Werkstoff Gehäuse housing material | | die cast, nickel plated | | | | | | | | | | |
| Werkstoff Kontaktträger dielectric material | | Thermoplast thermoplastic | | | | | | | | | | |
| Werkstoff Dichtung sealing material | | Neoprene neoprene | | | | | | | | | | |
| Kontaktoberfläche contact plating | | versilbert/vergoldet * silver plated/gold/plated | | | | | | | | | | |
| Anschlussstechnik termination technique | | löten solder | | | | | | | | | | |
| Anschlussquerschnitt wire gauge | | löten ≤ 0,5 mm ² solder ≤ 0,5 mm ² | | | | | | | ≥ 0,25 mm ² | | | |
| Brennbarkeit flammability | | UL 94 V0 | | | | | | | | | | |
| Verriegelung locking system | IEC 60130-9 | schrauben; Anzugsmoment 0,5-0,7 Nm metal screw coupling; tightening torque 0,5-0,7 Nm | | | | | | | | | | |

| | | | |
|------------------|----------------------------------|---------------------------------|---------------------------------|
| | 14 | C091 31N014 100 2 U | C091 31N014 200 2 U |
| | 12 | C091 31N012 100 2 U | C091 31N012 200 2 U |
| | 8 IEC | C091 31N008 100 2 U | C091 31N008 200 2 U |
| | 7 IEC | C091 31N107 100 2 U | C091 31N107 200 2 U |
| | 7 | C091 31N007 100 2 U | C091 31N007 200 2 U |
| | 6 | C091 31N006 100 2 U | C091 31N006 200 2 U |
| | 5 | C091 31N005 100 2 U | C091 31N005 200 2 U |
| | 5 IEC | C091 31N105 100 2 U | C091 31N105 200 2 U |
| | 4 | C091 31N004 100 2 U | C091 31N004 200 2 U |
| | 3 | C091 31N003 100 2 U | C091 31N003 200 2 U |
| SYMBOL symbol | POLZAHL number of contacts | TYP-NUMMER-Ag type-number-Ag | TYP-NUMMER-Au type-number-Au |

Do not connect or disconnect under load. Metal housing parts shall be securely incorporated to protected ground.

All technical data have been measured in a laboratory environment and can be different during practical usage of the product. Any product information is for descriptive usage only and not legally binding; particularly the information does not constitute or provide any legal guaranties ("Beschaffenheitsgarantie" or "Haltbarkeitsgarantie")

Remark for gold plated contacts:
In order to avoid brittle inter-metallic connections, gold-plated terminals have to be tin-plated in the solder area.

parts according to directive 2002/95/EG (RoHS)

| | | | | | | | |
|-------------------------------------|----------------------|-----------------------|------------|---------------------|---------------------------------|---------------------------|--|
| Gewicht (errechnet)/ Calc WT: | 9 | Zul. Abw./Tolerances: | | Maßstab/Scale | 2:1 | A3 | |
| Prüfmaß/Test dimension | | | | CUSTOMER DRAWING | | | |
| Teileindex Part index number | | 13 | Datum/Date | Name | Gerätedose female receptacle | | |
| | | Gez. | 27.11. | Jerry | | | |
| | | Drawn | | | | | |
| | | Gep. | | i.f.f. | | | |
| | | Checked | | | | | |
| Amphenol-Tuchel Electronics GmbH | | M | | C091 31NXXX X00 2 U | | Blatt/Sheet 1 1 Bl. | |
| 01 | 201300841 | 06.12.13 | JZ | Ers. f./Similar to: | | | |
| Index | Änderung/Description | Datum/Date | Name | | | | |

Weitergabe sowie Vervielfältigung dieser Unterlage, Verwertung und Mitteilung ihres Inhalts nicht gestattet, soweit nicht ausdrücklich zugestanden. Zuwiderhandlungen verpflichten zu Schadenersatz. Alle Rechte für den Fall der Patenterteilung oder Gebrauchsmuster-Eintragung vorbehalten.

8 7 6 5 4 3 2 1