



Chipsmall Limited consists of a professional team with an average of over 10 year of expertise in the distribution of electronic components. Based in Hongkong, we have already established firm and mutual-benefit business relationships with customers from,Europe,America and south Asia,supplying obsolete and hard-to-find components to meet their specific needs.

With the principle of “Quality Parts,Customers Priority,Honest Operation,and Considerate Service”,our business mainly focus on the distribution of electronic components. Line cards we deal with include Microchip,ALPS,ROHM,Xilinx,Pulse,ON,Everlight and Freescale. Main products comprise IC,Modules,Potentiometer,IC Socket,Relay,Connector.Our parts cover such applications as commercial,industrial, and automotives areas.

We are looking forward to setting up business relationship with you and hope to provide you with the best service and solution. Let us make a better world for our industry!



Contact us

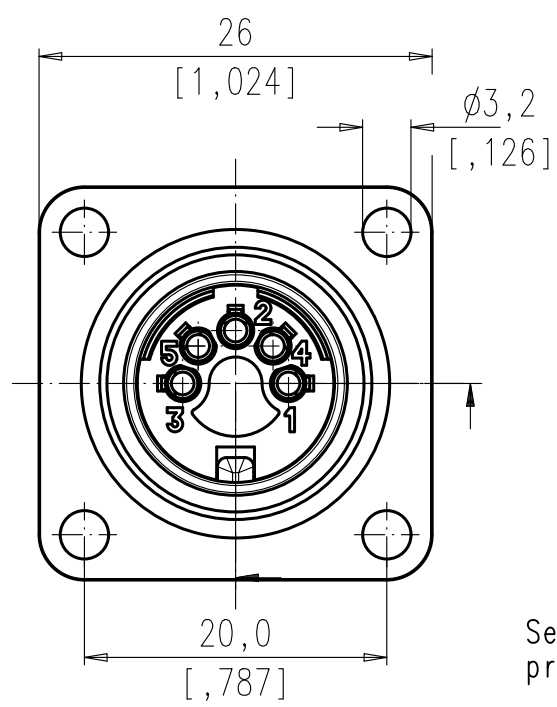
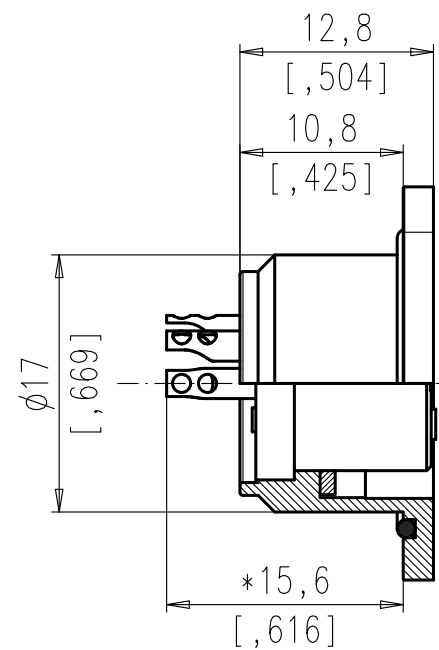
Tel: +86-755-8981 8866 Fax: +86-755-8427 6832

Email & Skype: info@chipsmall.com Web: www.chipsmall.com

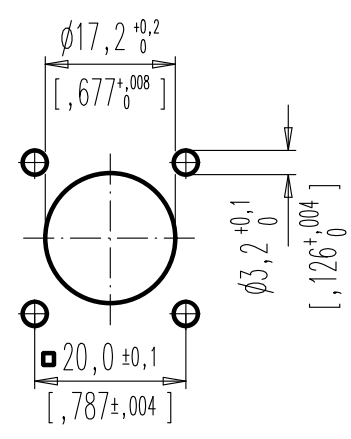
Address: A1208, Overseas Decoration Building, #122 Zhenhua RD., Futian, Shenzhen, China



Copying of this document and giving it to others and the use or communication of the contents thereof, are forbidden without express authority. Offenders are liable to the payment of damages. All rights are reserved in the event of the grant of a patent or the registration of the utility model or design.



Panel Cutout



Sealing area must be flat and polished. provide suitable sealing for the screws

*Measure 12- and 14- pol.=13.4

Polzahl number of contacts	Norm standard	3	4	5	5S	6	7	7S	8	12	14
Kontaktanordnung nach DIN contact arrangement acc. to DIN		41 524		-	41 524	45 322	-	45 329	45 326	-	-
Kontaktanordnung nach IEC contact arrangement acc. to IEC		60130-9	60130-9	-	60130-9	60130-9	-	60130-9	60130-9	-	-
Bemessungsspannung rated voltage	IEC 60664-1	300V =		100V =		300V =		100V =		150V =	
Bemessungsspannung rated voltage	UL 1977	250V								60V	
Bemessungs-Stoßspannung rated impulse withstand voltage	IEC 60664-1	1500V		1200V		1500V		1200V			
Verschmutzungsgrad pollution degree	IEC 60664-1	1									
Überspannungskategorie installation category	IEC 60664-1	I									
Isolierstoffgruppe insulation group	IEC 60664-1	II, 400 ≤ CTI < 600									
Strombelastbarkeit current rating	IEC 60512-5-2 Test 5b UL 1977	5A / +40°C / +104°F								3A / +40°C / +104°F	
Isolationswiderstand insulation resistance	IEC 60512-3-1 Test 3a	>10 ¹⁰ Ω									
Durchgangswiderstand contact resistance	IEC 60512-2-1 Test 2a	< 5m Ω									
Prüfklasse climatic category	IEC 60668-1	40/100/56									
Temperaturbereich temperatur range		- 40°C ... +100°C - 40°F ... +212°F									
IP-Schutzart IP-degree	IEC 60529	IP 67 / IP 65									
Steck- und Ziehkraft insertion and withdrawal force	IEC 60512-13-2 Test 13b	25 N	30 N	35 N	50 N	55 N	60 N	50 N			
Mechanische Lebensdauer mechanical operation	IEC 60512 Test 9a	silber/silver ≥ 500 Steckzyklen/mating cycles gold/gold ≥ 1000 Steckzyklen/mating cycles									
Werkstoff Gehäuse housing material		die cast, nickel plated									
Werkstoff Kontaktträger dielectric material		Thermoplast thermoplastic									
Werkstoff Dichtung sealing material		Neoprene neoprene									
Kontaktoberfläche contact plating		versilbert/vergoldet * silver plated/gold/plated									
Anschlussstechnik termination technique		löten solder									
Anschlussquerschnitt wire gauge		löten ≤ 0,5 mm ² solder ≤ 0,5 mm ²								≥ 0,25 mm ²	
Brennbarkeit flammability		UL 94 V0									
Verriegelung locking system	IEC 60130-9	schrauben; Anzugsmoment 0,5-0,7 Nm metal screw coupling; tightening torque 0,5-0,7 Nm									

	14	C091 31T014 100 2 U	C091 31T014 200 2 U
	12	C091 31T012 100 2 U	C091 31T012 200 2 U
	8 IEC	C091 31T008 100 2 U	-
	7 IEC	C091 31T107 100 2 U	-
	7	C091 31T007 100 2 U	C091 31T007 200 2 U
	6	C091 31T006 100 2 U	C091 31T006 200 2 U
	5	C091 31T005 100 2 U	C091 31T005 200 2 U
	5 IEC	C091 31T105 100 2 U	-
	4	C091 31T004 100 2 U	C091 31T004 200 2 U
	3	C091 31T003 100 2 U	C091 31T003 200 2 U
SYMBOL symbol	POLZAHL number of contacts	TYP-NUMMER-Ag type-number-Ag	TYP-NUMMER-Au type-number-Au

All technical data have been measured in a laboratory environment and can be different during practical usage of the product. Any product information is for descriptive usage only and not legally binding; particularly the information does not constitute or provide any legal guaranties ("Beschaffenheitsgarantie" or "Haltbarkeitsgarantie")

Do not connect or disconnect under load. Metal housing parts shall be securely incorporated to protected ground.

* Remark for gold plated contacts:
In order to avoid brittle inter-metallic connections, gold-plated terminals have to be tin-plated in the solder area. parts according to directive 2002/95/EG (RoHS)

Gewicht (errechnet)/ Calc WT: 9	Zul. Abw./Tolerances:	Maßstab/Scale 2:1	A3
Prüfmaß/Testdimension	Teileindex Partindexnumber	CUSTOMER DRAWING	
11 Datum/Date	Name	Gerätedose	
Gez. Drawn 16.05.	David Fang	female receptacle	
Gepr. Gepr.	Checked	M C091 31TXXX X00 2 U	
02 201100753 20.01.12 AL	Amphenol-Tuchel Electronics GmbH	Blatt/Sheet 1	
01 201100349 16.05.11 DF		1 Bl.	
Index Änderungs/Description Datum/Date Name	Ers. f./Similar to:		

Weitergabe sowie Vervielfältigung dieser Unterlage, Verwertung und Mitteilung ihres Inhalts nicht gestattet, soweit nicht ausdrücklich zugestanden. Zuwiderhandlungen verpflichten zu Schadenersatz. Alle Rechte für den Fall der Patenterteilung oder Gebrauchsmuster-Eintragung vorbehalten.