



Chipsmall Limited consists of a professional team with an average of over 10 year of expertise in the distribution of electronic components. Based in Hongkong, we have already established firm and mutual-benefit business relationships with customers from,Europe,America and south Asia,supplying obsolete and hard-to-find components to meet their specific needs.

With the principle of “Quality Parts,Customers Priority,Honest Operation,and Considerate Service”,our business mainly focus on the distribution of electronic components. Line cards we deal with include Microchip,ALPS,ROHM,Xilinx,Pulse,ON,Everlight and Freescale. Main products comprise IC,Modules,Potentiometer,IC Socket,Relay,Connector.Our parts cover such applications as commercial,industrial, and automotives areas.

We are looking forward to setting up business relationship with you and hope to provide you with the best service and solution. Let us make a better world for our industry!



Contact us

Tel: +86-755-8981 8866 Fax: +86-755-8427 6832

Email & Skype: info@chipsmall.com Web: www.chipsmall.com

Address: A1208, Overseas Decoration Building, #122 Zhenhua RD., Futian, Shenzhen, China





PRODUCT DATASHEET

Emy series

last update 8/3/2014

DETAILS

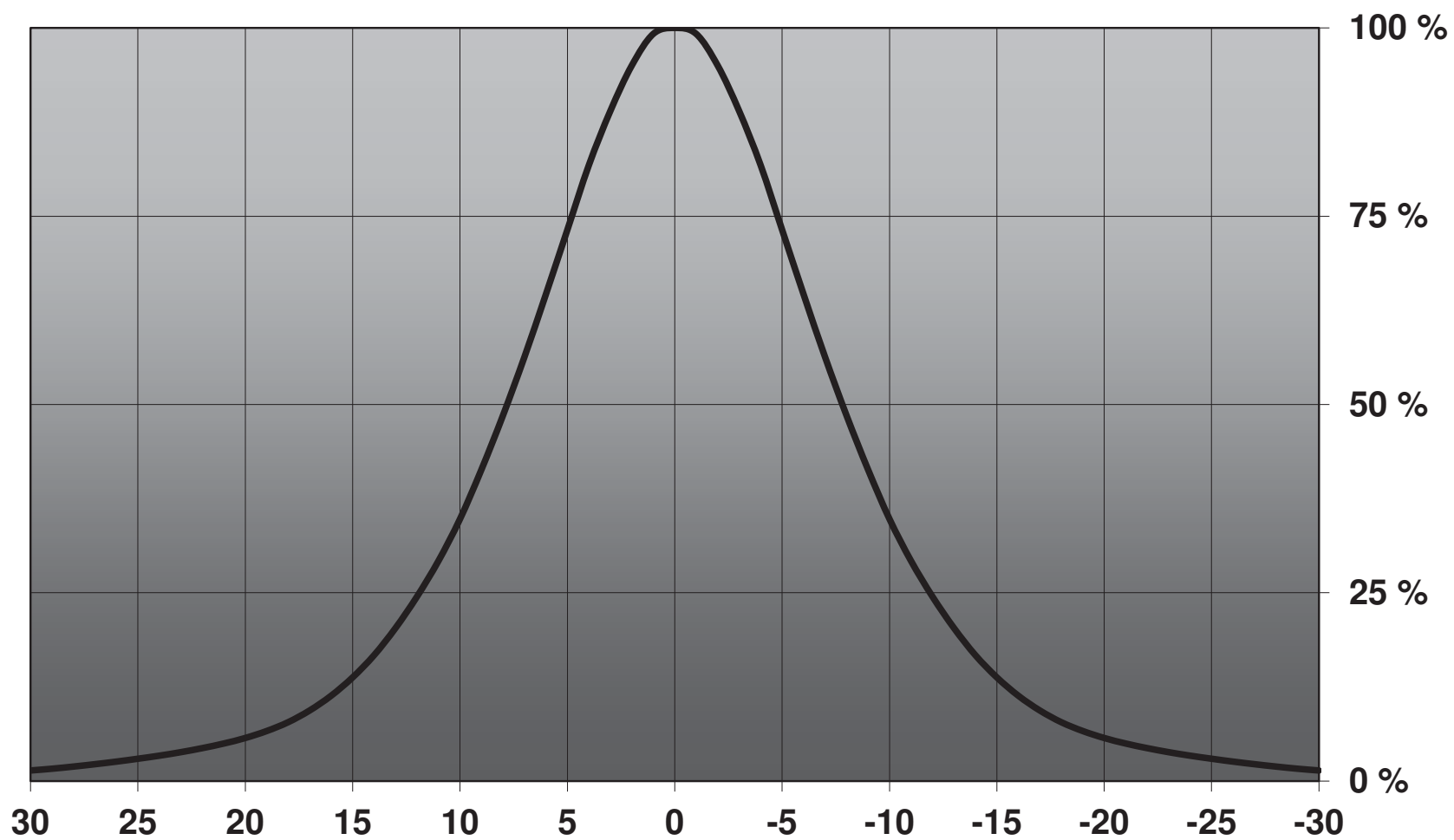
Product Number	C10535_NIS83-MX-6-S
Family	Emy
Type	Lens array
Color	clear
Diameter	50 mm
Height	14,4 mm
Style	round
Optic Material	PMMA
Holder Material	
Fastening	pin, glue
Status	production ready
ROHS Comliant	Yes
Date Updated	8/03/2014

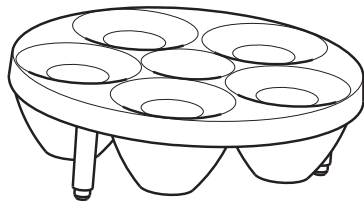


OPTICAL PROPERTIES

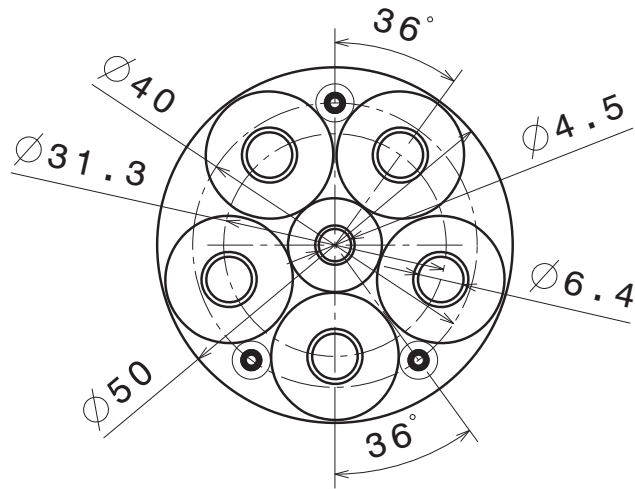
LED	Viewing	Light	Effi-		
	Angle	Beam	ciency	cd/lm	Connector
MX-6	16 deg	Spot	-	-	-
NS6x83	12 deg	Spot	-	-	-

Relative Intensity of C10535_NIS83-MX-6-S (MX-6)

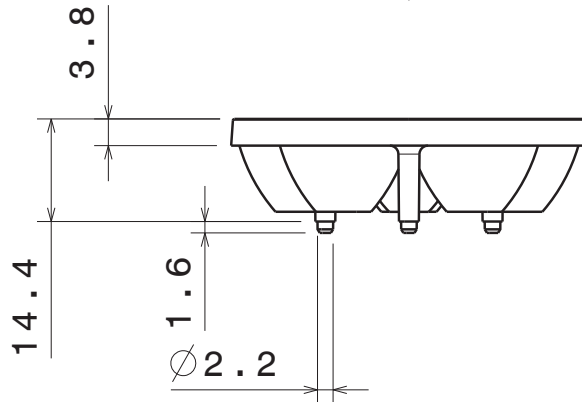




Isometric view



Bottom view



Front view

Material: PMMA

This drawing is our property.
It can't be reproduced
or communicated without
our written agreement.



L
T
F
F
e
e
I
i
N
n

DRAWING TITLE

Datasheet NIS83-6-S lens

DRAWN BY

DATE

p

13.11.2009

CHECKED BY

DATE

s

n

02.11.2009

SIZE

DRAWING NUMBER

A4

C10535

REV

1

DESIGNED BY

DATE

HH

22.04.2008

SCALE

1:1

WEIGHT (g)

SHEET

1/1

D

A

NOTE: The typical divergence will be changed by different color, chip size and chip position tolerance. The typical total divergence is the full angle measured where the luminous intensity is half of the peak value.