



Chipsmall Limited consists of a professional team with an average of over 10 year of expertise in the distribution of electronic components. Based in Hongkong, we have already established firm and mutual-benefit business relationships with customers from,Europe,America and south Asia,supplying obsolete and hard-to-find components to meet their specific needs.

With the principle of “Quality Parts,Customers Priority,Honest Operation,and Considerate Service”,our business mainly focus on the distribution of electronic components. Line cards we deal with include Microchip,ALPS,ROHM,Xilinx,Pulse,ON,Everlight and Freescale. Main products comprise IC,Modules,Potentiometer,IC Socket,Relay,Connector.Our parts cover such applications as commercial,industrial, and automotives areas.

We are looking forward to setting up business relationship with you and hope to provide you with the best service and solution. Let us make a better world for our industry!



## Contact us

Tel: +86-755-8981 8866 Fax: +86-755-8427 6832

Email & Skype: info@chipsmall.com Web: www.chipsmall.com

Address: A1208, Overseas Decoration Building, #122 Zhenhua RD., Futian, Shenzhen, China



**Product number C10700\_ROCKET-4-M**

Family	Rocket-4	FWHM	24 degrees
Type	Lens array	Efficiency	-
LED	XR-E	cd/lm	-
Color	Clear	Gerber File	Available
Diameter	50 mm		
Height	15.2 mm		MR16 applications
Style	Round		
Optic Material	PMMA		
Holder Material	-		
Fastening	["pin", "glue"]		
Status	Production ready		

**Product number C10702\_ROCKET-4-W**

Family	Rocket-4	FWHM	34 degrees
Type	Lens array	Efficiency	-
LED	XR-E	cd/lm	-
Color	Clear	Gerber File	Available
Diameter	50 mm		
Height	15.2 mm		MR16 applications
Style	Round		
Optic Material	PMMA		
Holder Material	-		
Fastening	["glue", "pin"]		
Status	Production ready		

**NOTE: The typical divergence will be changed by different color, chip size and chip position tolerance. The typical total divergence is the full angle measured where the luminous intensity is half of the peak value.**



## PRODUCT DATASHEET

### Rocket-4 series

last update 18/10/2016

#### GENERAL INFORMATION

- Product series especially designed & optimized for XR-E series of LEDs.
- Special care taken to make light distribution as uniform as possible.
- Lens material optical grade PMMA with high UV and temperature resistance. Allows use of high current and temperature conditions.

Please find more information about used material from below:

[http://ledil.fi/sites/default/files/Documents/Technical/Material/PMMA%20N%20UL94\\_Yellow%20Card.pdf](http://ledil.fi/sites/default/files/Documents/Technical/Material/PMMA%20N%20UL94_Yellow%20Card.pdf)

<http://ledil.fi/sites/default/files/Documents/Technical/Material/PMMA%20N%20PLEXIGLAS-Datasheet.pdf>

D

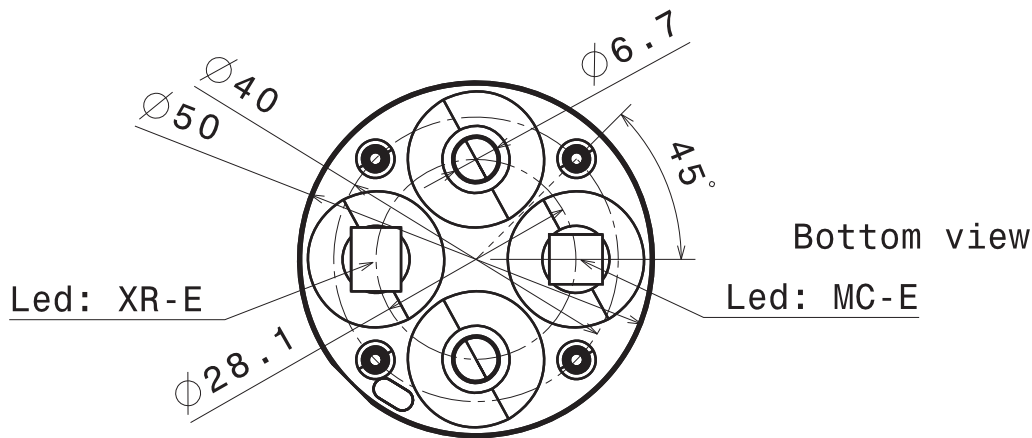
C

B

A

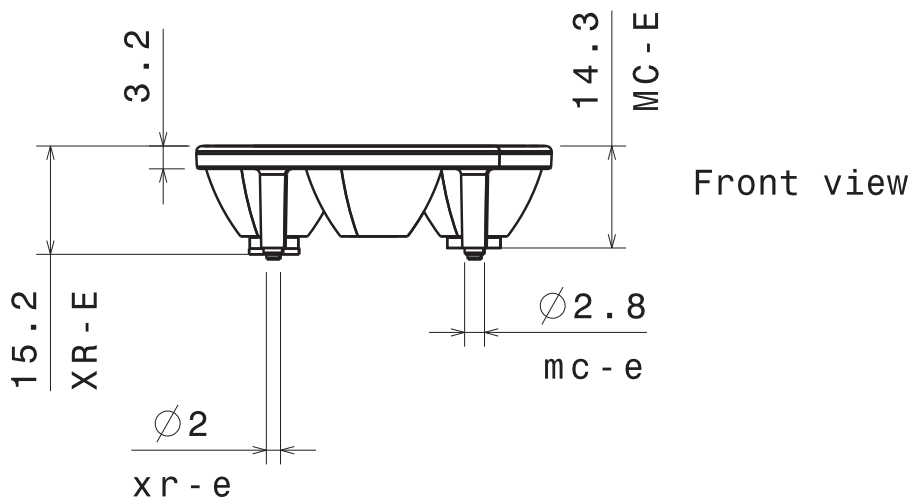
4

4



3

3



2

2

Material: PMMA

This drawing is our property.  
It can't be reproduced  
or communicated without  
our written agreement.



Ledil Oy  
Tehdaskatu 13  
FIN-24100 SALO  
Finland

DRAWING TITLE

Datasheet Rocket-4-XRMC-W lens

DRAWN BY  
pv

DATE  
02.01.2009

CHECKED BY  
tk

DATE  
12.12.2008

SIZE  
A4

DRAWING NUMBER  
10702

REV  
0.1

DESIGNED BY  
HH

DATE  
12.12.2008

SCALE 1:1 WEIGHT(g)

SHEET 1/1

1

1

D

A