



Chipsmall Limited consists of a professional team with an average of over 10 year of expertise in the distribution of electronic components. Based in Hongkong, we have already established firm and mutual-benefit business relationships with customers from,Europe,America and south Asia,supplying obsolete and hard-to-find components to meet their specific needs.

With the principle of “Quality Parts,Customers Priority,Honest Operation,and Considerate Service”,our business mainly focus on the distribution of electronic components. Line cards we deal with include Microchip,ALPS,ROHM,Xilinx,Pulse,ON,Everlight and Freescale. Main products comprise IC,Modules,Potentiometer,IC Socket,Relay,Connector.Our parts cover such applications as commercial,industrial, and automotives areas.

We are looking forward to setting up business relationship with you and hope to provide you with the best service and solution. Let us make a better world for our industry!



Contact us

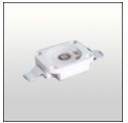
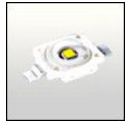
Tel: +86-755-8981 8866 Fax: +86-755-8427 6832

Email & Skype: info@chipsmall.com Web: www.chipsmall.com

Address: A1208, Overseas Decoration Building, #122 Zhenhua RD., Futian, Shenzhen, China



Platinum-4 lens series for Osram-os Platinum & Golden Dragon+



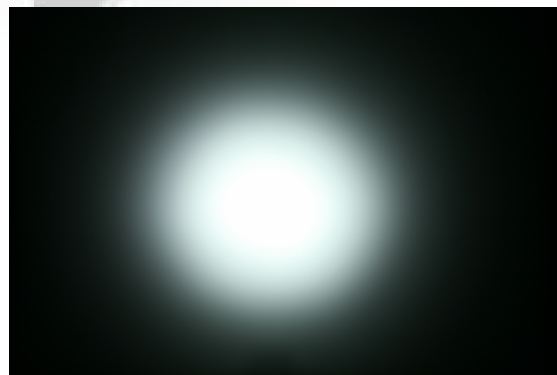
- Designed for Osram-os Golden Dragon+ LEDs, but works veru well with Platinum Dragon LED too
- Lens material optical grade PMMA with high UV and temperature resistance (105°C/220°F)
- High optical efficiency, >85%
- No lens holder. Fastening to heat sink with droplets of glue. NOTE: legs go into the PCB by 1.2 mm only, do not go thru a normal MCPCB
- Diameter 50 mm (MR16)
- Mechanical CAD models available upon request
- All 3 lens types have the same outer dimensions.

LENS TYPES

NAME	ORDERING CODE	FWHM Angle
Platinum-4 Spot	C10704_Platinum-4-OS	±6.4°
Platinum-4 Medium	C10703_Platinum-4-OM	±9.8°



PLATINUM-4-OS

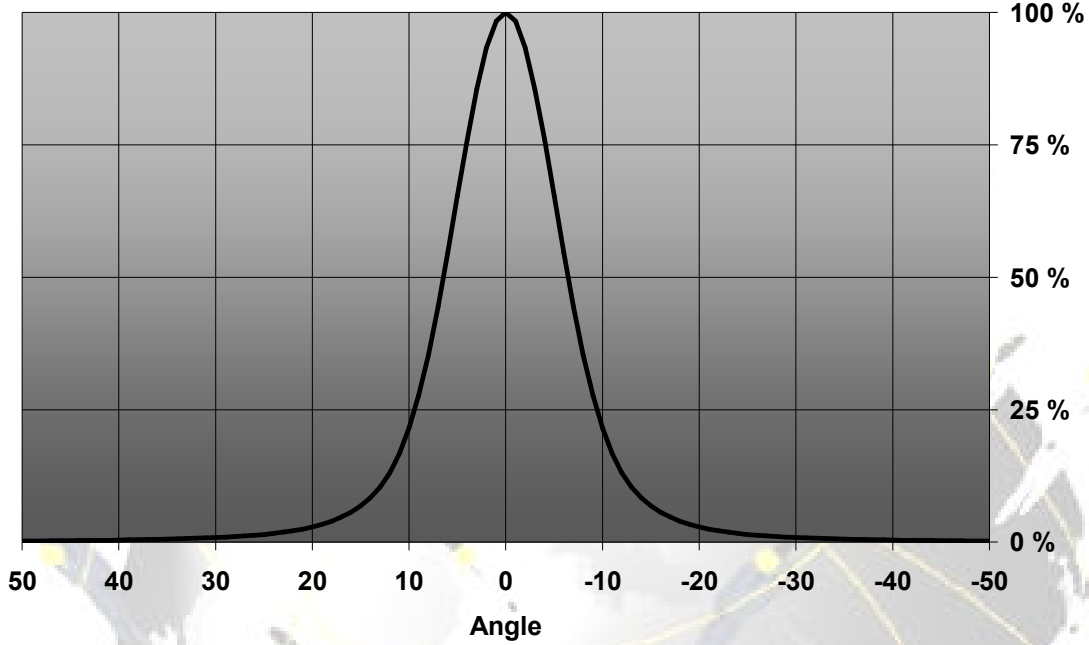


PLATINUM-4-OM

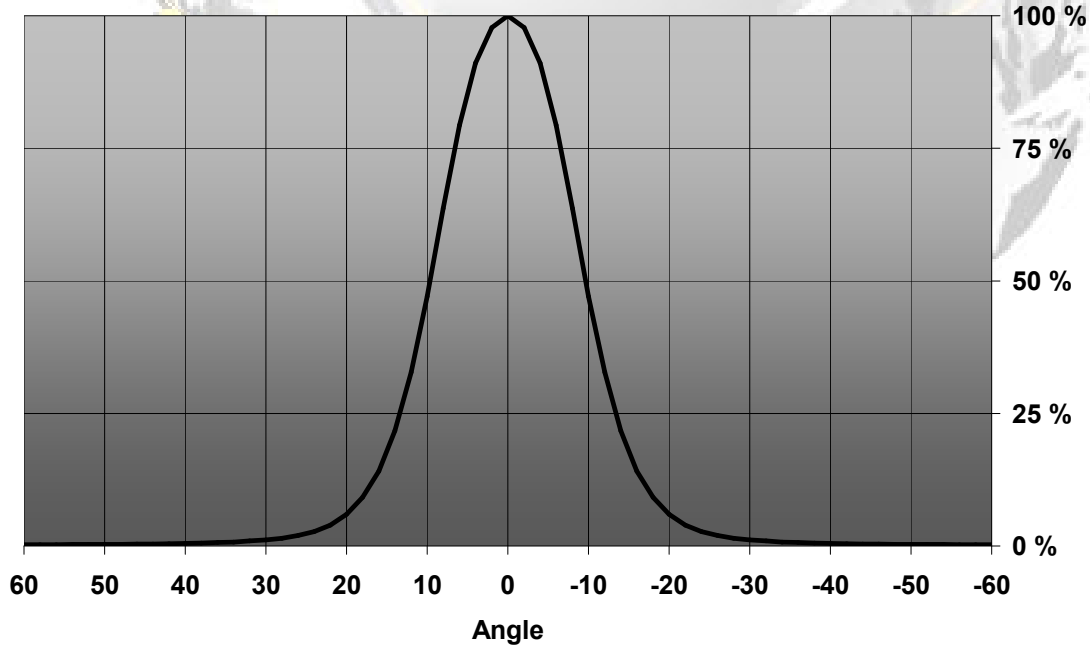
© Ledil Oy – PRELIMINARY - Subject to change without prior notice

MEASUREMENT DATA

Relative Intensity of Platinum-4-OS

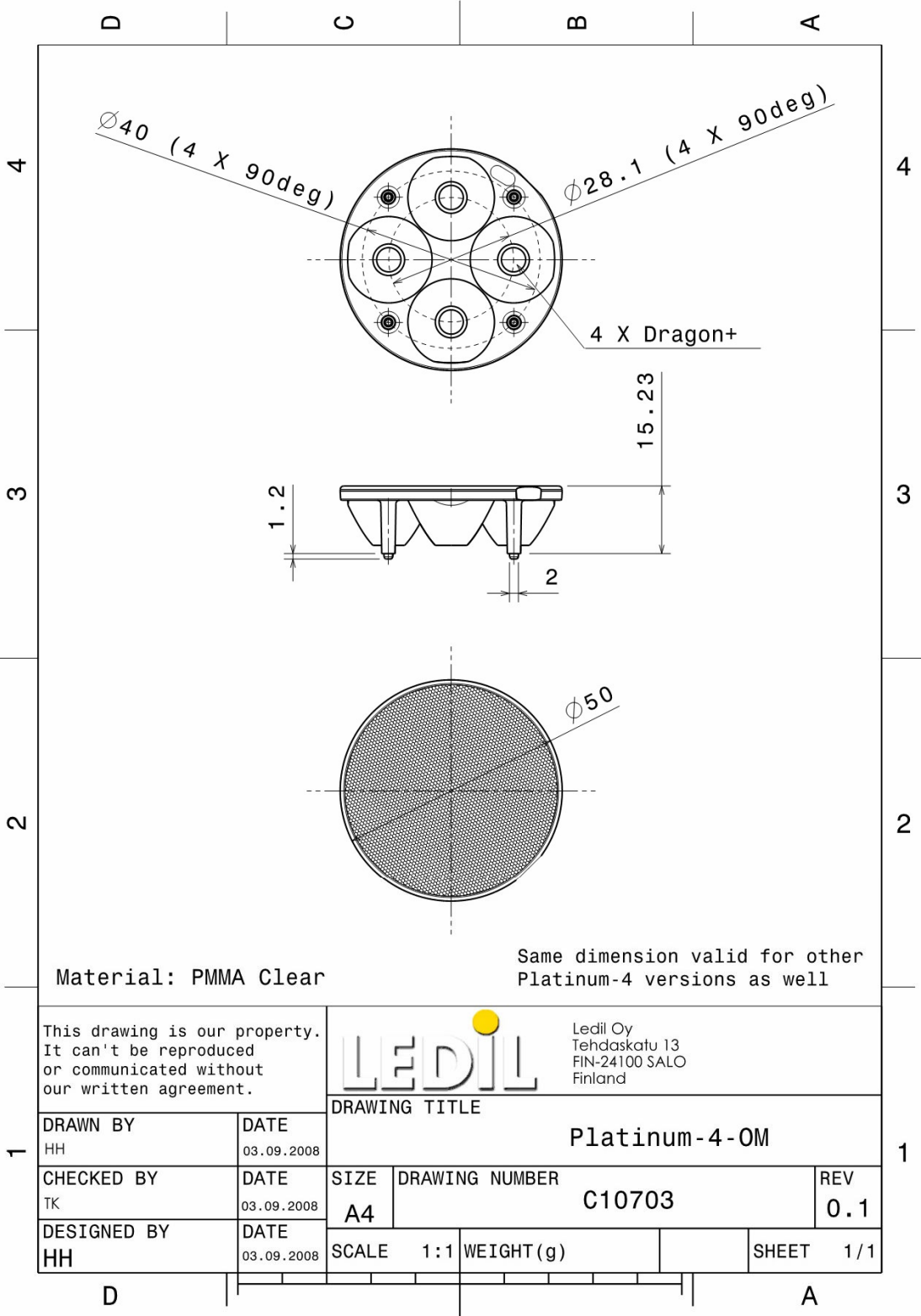


Relative Intensity of Platinum-4-OM



© Ledil Oy – PRELIMINARY - Subject to change without prior notice

DRAWINGS



This drawing is our property. It can't be reproduced or communicated without our written agreement.		Ledil Oy Tehdaskatu 13 FIN-24100 SALO Finland	
DRAWING TITLE		Platinum-4-OM	
DRAWN BY HH	DATE 03.09.2008	SIZE A4	DRAWING NUMBER C10703
CHECKED BY TK	DATE 03.09.2008	SCALE 1:1	REV 0.1
DESIGNED BY HH	DATE 03.09.2008	WEIGHT(g)	SHEET 1/1

© Ledil Oy – PRELIMINARY - Subject to change without prior notice