



Chipsmall Limited consists of a professional team with an average of over 10 year of expertise in the distribution of electronic components. Based in Hongkong, we have already established firm and mutual-benefit business relationships with customers from,Europe,America and south Asia,supplying obsolete and hard-to-find components to meet their specific needs.

With the principle of “Quality Parts,Customers Priority,Honest Operation,and Considerate Service”,our business mainly focus on the distribution of electronic components. Line cards we deal with include Microchip,ALPS,ROHM,Xilinx,Pulse,ON,Everlight and Freescale. Main products comprise IC,Modules,Potentiometer,IC Socket,Relay,Connector.Our parts cover such applications as commercial,industrial, and automotives areas.

We are looking forward to setting up business relationship with you and hope to provide you with the best service and solution. Let us make a better world for our industry!



Contact us

Tel: +86-755-8981 8866 Fax: +86-755-8427 6832

Email & Skype: info@chipsmall.com Web: www.chipsmall.com

Address: A1208, Overseas Decoration Building, #122 Zhenhua RD., Futian, Shenzhen, China

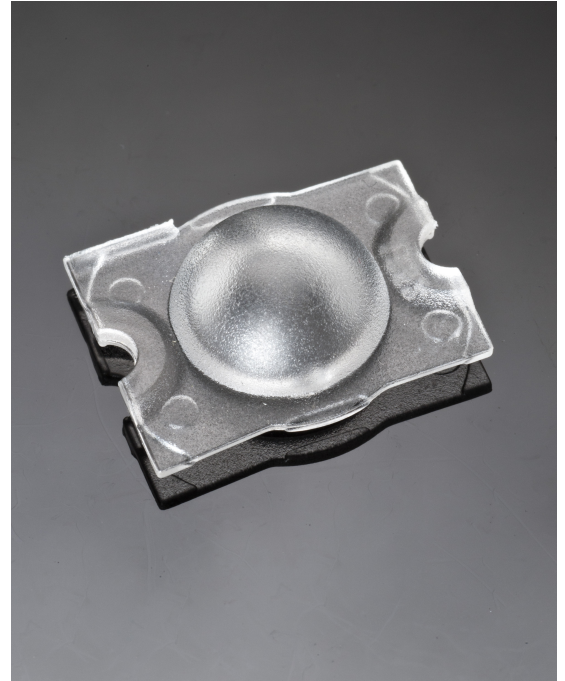


STRADA-C2

Beam for area and street lighting such as parks and pedestrian walkways

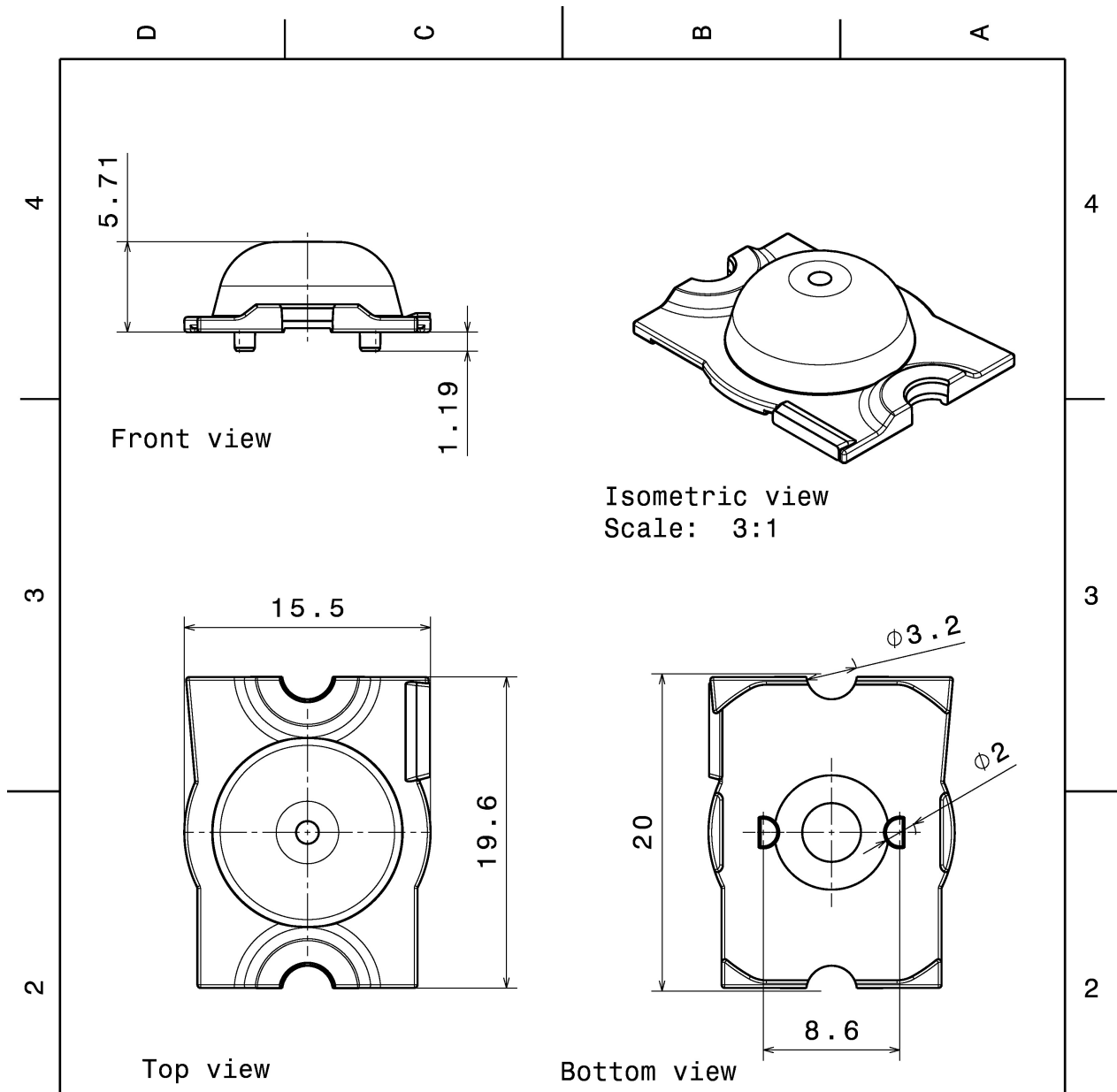
TECHNICAL SPECIFICATIONS:

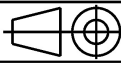
Dimensions	19.6 x 15.5 mm
Height	6.9 mm
Fastening	pin, screw
Colour	clear
Box size	480 x 280 x 300 mm
Box weight	3.7 kg
Quantity in Box	2880 pcs
ROHS compliant	yes ⓘ



MATERIAL SPECIFICATIONS:

Component	Type	Material	Colour
STRADA-C2	Lens	PMMA	clear

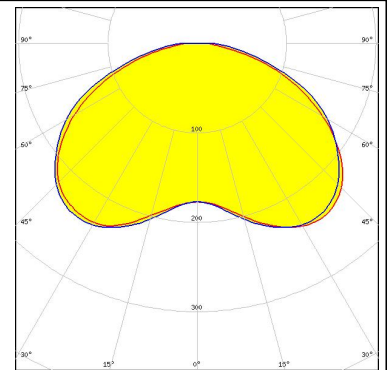


INDEX	PART NO	DESCRIPTION	MATERIAL	COLOUR
1	C11252	STRADA-C2	PMMA	
<p>Tolerances if not otherwise shown According to DIN ISO 2768-1 Linear measures: Up to 30mm class M, otherwise class C. According to DIN ISO 2768-2 Form and position: class L</p>		<p>LEDiL Ledil Oy Salorankatu 10 FIN 24240 SALO Finland</p>		
<p>THIRD ANGLE PROJECTION: </p>		<p>DRAWING TITLE C11252_STRADA-C2</p>		
<p>This drawing is the property of LEDiL Oy. It may not be reproduced, copied or communicated without a written agreement with LEDiL Oy.</p>		<p>SIZE PART NUMBER A4 C11252</p>		
<p>SCALE 3:1</p>		<p>WEIGHT 0,6 g</p>		<p>SHEET 1/1</p>

PHOTOMETRIC DATA (MEASURED):

CREE

LED XB-D
FWHM 135.0°
Efficiency 93 %
Peak intensity 0.260 cd/lm
Required components:



CREE

LED XP-E
FWHM 124.0°
Efficiency 92 %
Peak intensity 0.290 cd/lm
Required components:

CREE

LED XP-G
FWHM 136.0°
Efficiency 92 %
Peak intensity 0.240 cd/lm
Required components:

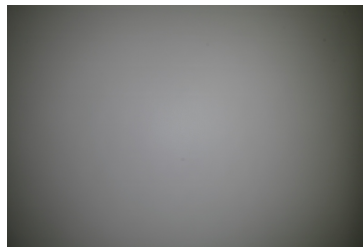
LUMILEDS

LED LUXEON A
FWHM 120.0°
Efficiency 92 %
Peak intensity cd/lm
Required components:

PHOTOMETRIC DATA (MEASURED):

LUMILEDS

LED LUXEON R
FWHM 128.0°
Efficiency 94 %
Peak intensity 0.300 cd/lm
Required components:



LUMILEDS

LED LUXEON Rebel
FWHM 120.0°
Efficiency 92 %
Peak intensity 0.300 cd/lm
Required components:

LUMILEDS

LED LUXEON Rebel ES
FWHM 128.0°
Efficiency 92 %
Peak intensity 0.240 cd/lm
Required components:

SetPlotArea(1); if range error = min 20 sec

NICHIA

LED NCSxx19A
FWHM 124.0°
Efficiency 92 %
Peak intensity cd/lm
Required components:

PHOTOMETRIC DATA (MEASURED):



LED NVSxx19A
FWHM 124.0°
Efficiency 92 %
Peak intensity cd/lm
Required components:



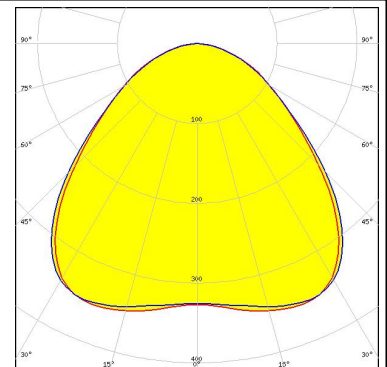
Osram Semiconductors

LED Oslon SSL 150
FWHM 92.0°
Efficiency 92 %
Peak intensity cd/lm
Required components:



Osram Semiconductors

LED Oslon SSL 80
FWHM 92.0°
Efficiency 92 %
Peak intensity 0.350 cd/lm
Required components:

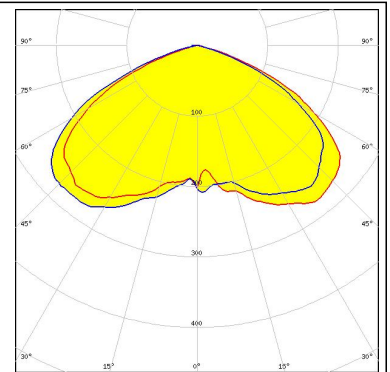


LED Double Dome (GM2BB)
FWHM 122.0°
Efficiency 92 %
Peak intensity cd/lm
Required components:

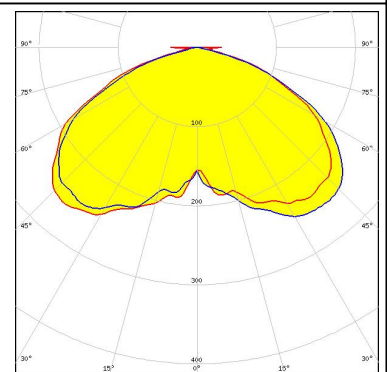
PHOTOMETRIC DATA (SIMULATED):



LED XP-G2
FWHM 122.0°
Efficiency 92 %
Peak intensity cd/lm
Required components:



LED XT-E
FWHM 122.0°
Efficiency 91 %
Peak intensity 0.259 cd/lm
Required components:



SEOUL SEMICONDUCTOR

LED Z5
FWHM 124.0°
Efficiency %
Peak intensity cd/lm
Required components:

GENERAL INFORMATION:

NOTE: The typical beam angle will be changed by different color, chip size and chip position tolerance. The typical total beam angle is the full angle measured where the luminous intensity is half of the peak value.

MATERIALS:

As part of our continuous research and improvement processes, and to ensure the best possible quality and availability of our products, LEDiL reserves the right to change material grades without notice.

PRODUCT DATA USER AGREEMENT AND DISCLAIMER:

The measured data in the provided downloadable LEDiL Product Datasheets and Mechanical 2D-Drawings is rounded and provided as reference for planning. LEDiL Oy's optical specifications have been verified by conducting performance testing of the products in accordance with the company's quality system. The reported data are averaged results of multiple measurements with typical variation. LEDiL Oy reserves the right to without prior notification make changes and improvements to its products.

LEDiL Oy assumes neither warranty, nor guarantee nor any other liability of any kind for the contents and correctness of the provided data. The provided data has been generated with highest diligence but the provided data may in reality not represent the complete possible variation range of all intrinsic parameters. Therefore, in certain cases a deviation from the provided data could occur.

LEDiL Oy reserves the right to undertake technical changes of its products without further notification which could lead to changes in the provided data. LEDiL Oy assumes no liability of any kind for the possible deviation from any provided data or any other damage resulting from the usage of the provided data.

The user agrees to this disclaimer and user agreement with the download or usage of the provided files.

LEDiL Oy

Joensuunkatu 13
FI-24240 SALO
Finland

LEDiL Inc.

228 West Page Street
Suite D
Sycamore IL 60178
USA

Local sales and technical support

[www.ledil.com/
where_to_buy](http://www.ledil.com/where_to_buy)

Shipping locations

Salo, Finland
Hong Kong, China

Distribution Partners

[www.ledil.com/
where_to_buy](http://www.ledil.com/where_to_buy)