



Chipsmall Limited consists of a professional team with an average of over 10 year of expertise in the distribution of electronic components. Based in Hongkong, we have already established firm and mutual-benefit business relationships with customers from,Europe,America and south Asia,supplying obsolete and hard-to-find components to meet their specific needs.

With the principle of “Quality Parts,Customers Priority,Honest Operation,and Considerate Service”,our business mainly focus on the distribution of electronic components. Line cards we deal with include Microchip,ALPS,ROHM,Xilinx,Pulse,ON,Everlight and Freescale. Main products comprise IC,Modules,Potentiometer,IC Socket,Relay,Connector.Our parts cover such applications as commercial,industrial, and automotives areas.

We are looking forward to setting up business relationship with you and hope to provide you with the best service and solution. Let us make a better world for our industry!



## Contact us

Tel: +86-755-8981 8866 Fax: +86-755-8427 6832

Email & Skype: info@chipsmall.com Web: www.chipsmall.com

Address: A1208, Overseas Decoration Building, #122 Zhenhua RD., Futian, Shenzhen, China

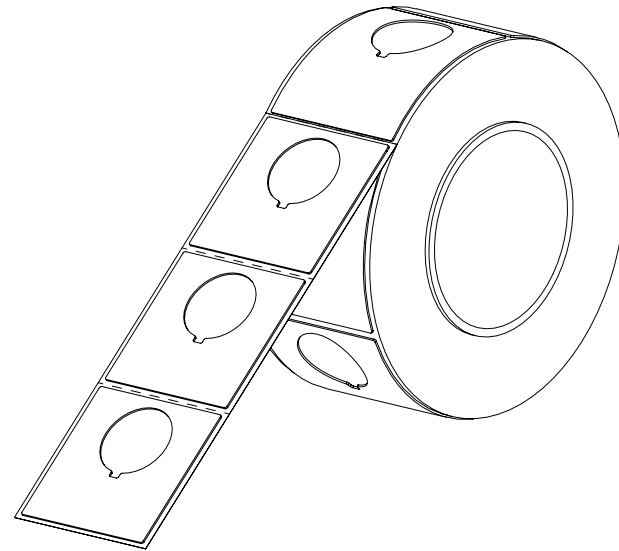
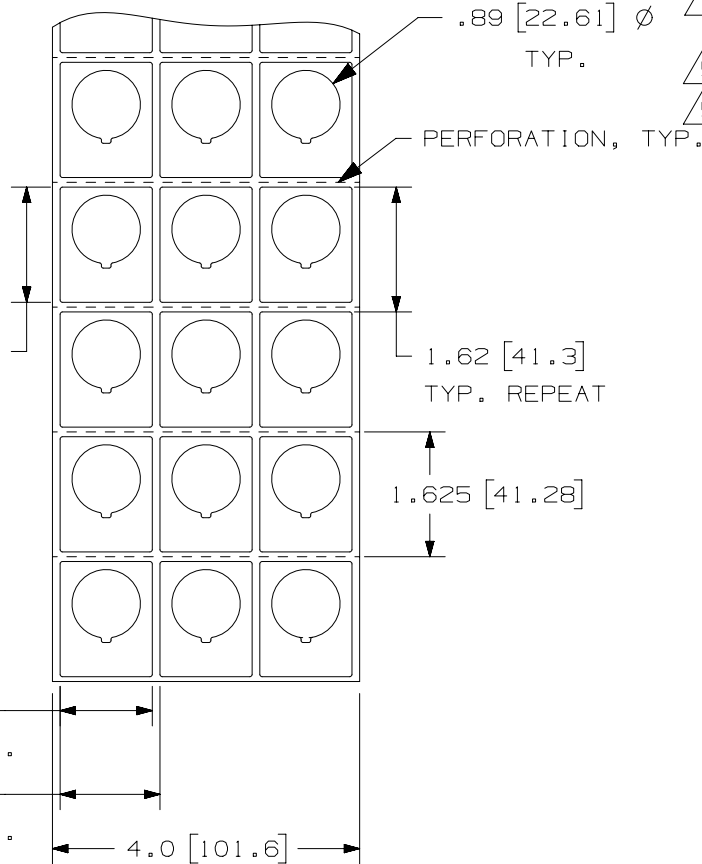


THIS COPY IS PROVIDED ON A RESTRICTED BASIS AND IS NOT TO BE USED IN ANY WAY DETRIMENTAL TO THE INTERESTS OF PANDUIT CORP.

NOTES:

1. DIMENSIONS IN [ ] ARE IN MILLIMETERS.

PANDUIT PART NO.	MATERIAL	FACE COLOR	PKG. QTY.	THICKNESS	PRODUCT TYPE
C120X150A0T-22	GMH3-A	BLACK	500	.030 +/- .010	POLYESTER/ FOAM COMPONENT LABEL
C120X150A8T-22		YELLOW			
C120X150APT-22	GMH3-W	WHITE			
C120X150AST-22	GMH3-A	GREEN			
C120X150AWT-22	GMH3-A	RED			



REV	DATE	BY	CHK	APR	DESCRIPTION	ECN
5	4/17/15	RVU	SEWH	JHAC	GMH3-A WAS GMH3.	GAECN00507
4	1/7/13	RVU	DAPE	SEWH	ADD material column and ISO view. UPDATE PART NUMBERS SEQUENCE LIST.	GAECN00507
3	5/3/10	RVU	DAPE		TOL. SHOULD BE .12, .062, NOT .1, .050.	6036
2	1/30/09	RVU	DAPE		REMOVE "REPEAT" FROM THE LABEL SIZE. ADD DIM. PERF. VERTICAL. REMOVE C120X150AMT-22.	5592
1	12/18/08	RVU	DAPE		VOID	
0	9/5/08	RVU	DAPE		DRAWING RELEASE.	5537

TITLE						
<b>RAISED PANEL PUSH BUTTON LABELS</b> <b>C120X150APT-22</b> CUSTOMER DRAWING						
ITEM REVISION NAME				100491BL/07		
DATASET FILE NAME				100491BL_DC_C10725/07G		
UNLESS OTHERWISE SPECIFIED, DIMENSIONAL TOLERANCES ARE: IN (mm)				<b>PANDUIT</b> <sup>TM</sup> MATERIAL: <b>SEE TABLE</b>		
.x ± .12 [ 3.05 ]      .xxx ± .025 [ .635 ] .xx ± .062 [ 1.57 ]      ANGLES ±						
DRAWN BY				DRAWING NUMBER:		
RVU				C10725		
DATE		CHK		SCALE		SIZE
9/5/08		MSAD		NTS		A
THIRD ANGLE PROJECTION				SHT 1 OF 1		

D10100DA/12