



Chipsmall Limited consists of a professional team with an average of over 10 year of expertise in the distribution of electronic components. Based in Hongkong, we have already established firm and mutual-benefit business relationships with customers from,Europe,America and south Asia,supplying obsolete and hard-to-find components to meet their specific needs.

With the principle of “Quality Parts,Customers Priority,Honest Operation,and Considerate Service”,our business mainly focus on the distribution of electronic components. Line cards we deal with include Microchip,ALPS,ROHM,Xilinx,Pulse,ON,Everlight and Freescale. Main products comprise IC,Modules,Potentiometer,IC Socket,Relay,Connector.Our parts cover such applications as commercial,industrial, and automotives areas.

We are looking forward to setting up business relationship with you and hope to provide you with the best service and solution. Let us make a better world for our industry!



## Contact us

Tel: +86-755-8981 8866 Fax: +86-755-8427 6832

Email & Skype: info@chipsmall.com Web: www.chipsmall.com

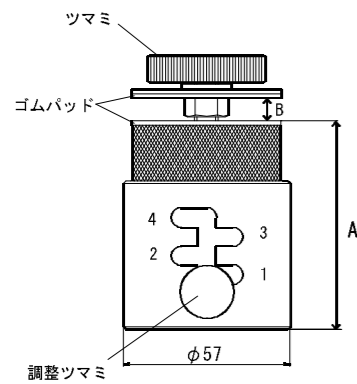
Address: A1208, Overseas Decoration Building, #122 Zhenhua RD., Futian, Shenzhen, China



# オムニバイス C1390C **ESD SAFE**

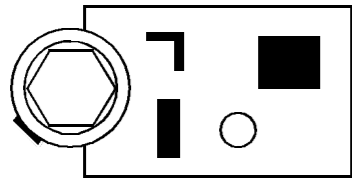
オムニバイスをお買い上げ頂きありがとうございます。このオムニバイスはリワーク時に基板などを水平に固定するツールです。

- 底面から開口部下部のゴムパッドまでの高さ (A) は 72.5mm、78.0mm、84.5mm、91.0mm、97.5mmと調整ツマミで変えることができます。
- 開口部の幅 (B) は0~20mmまで調整可能です。
- 基板部品を傷つけることを防ぐため、開口部にはゴムパッドがついています。
- オムニバイス周囲360° 全て使用できるので、自在に使用できます。
- オムニバイスは静電気対策されています。

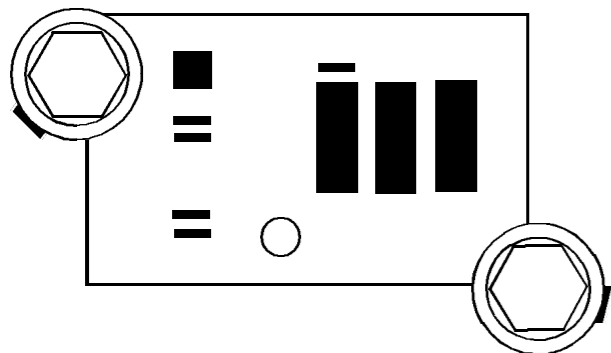


仕様	
品番	C1390C
品名	オムニバイス
外形寸法	φ57×88mm
重量	1.2kg

使用例： 小さな基板や部品を固定する時はオムニバイス1つ使用します。



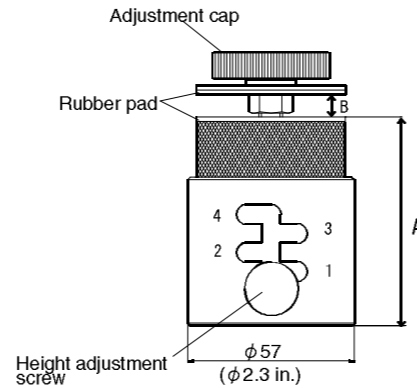
大きめの基板や部品を固定する時はオムニバイス2つ使用します。



# Omnivise C1390C **ESD SAFE**

Thank you for purchasing the Omnivise. Use the Omnivise to hold anything in the horizontal plane. It was designed to hold printed circuit boards level while reworking them, but adapts easily to a myriad tasks.

- The height (A) to the bottom of the opening is adjustable from 72.5mm, 78.0mm, 84.5mm, 91.0mm, 97.5mm (2.8, 3.1, 3.3, 3.6, 3.8 inch) increments.
- The opening (B) is adjustable from 0 to 20mm (0 to 0.8inch).
- The jaws are padded to preclude damage to delicate objects.
- The full 360° is available with no interference.
- The Omnivise is ESD safe.

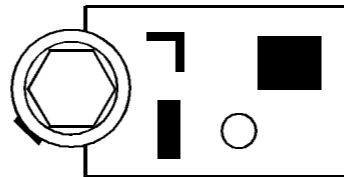


### Specification

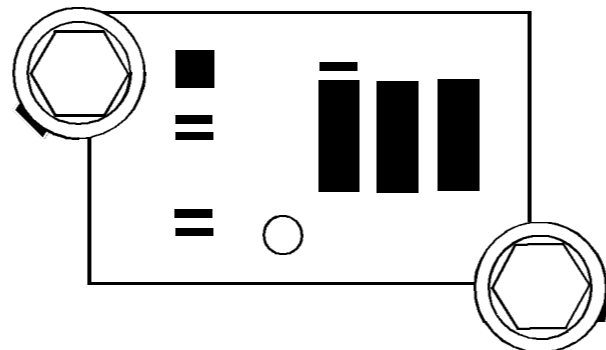
No.	C1390C
Name	Omnivise
Outer dimensions	φ57×88mm φ2.3×3.5in.
Weight	1.2kg 2.7/lb.

### Some suggestions:

For printed circuit boards or other small assemblies, use one Omnivise.



For larger assemblies, use two or more Omnivises.

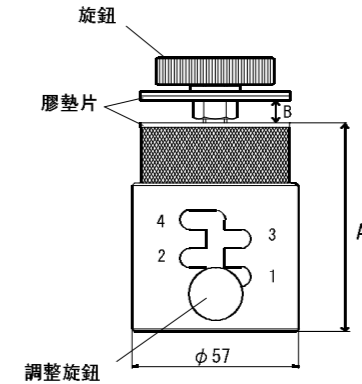


# 自在固定柱 C1390C **ESD SAFE**

日本白光牌

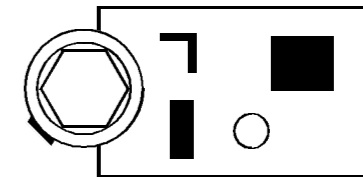
承蒙回顧 自在固定柱。此自在固定柱用在維修時夾住印刷電路板等東西。

- 開口底部以下之高度 (A) 用調整旋鈕可調節72.5mm, 78.0mm, 84.5mm, 91.0mm, 97.5mm。
- 開口之寬 (B) 可調節0~20mm。
- 開口處具有膠墊片, 以保護部件免受損壞。
- 可夾于360度之任何方向, 自在使用。
- 有防靜電處理。



規格	
編號	C1390C
名稱	自在固定柱
尺寸	φ57×88 mm
重量	1.2kg

使用例子: 小組件或印刷電路板可使用一個自在固定柱。



較大之組件可使用二個或多數自在固定柱。

