



Chipsmall Limited consists of a professional team with an average of over 10 year of expertise in the distribution of electronic components. Based in Hongkong, we have already established firm and mutual-benefit business relationships with customers from,Europe,America and south Asia,supplying obsolete and hard-to-find components to meet their specific needs.

With the principle of “Quality Parts,Customers Priority,Honest Operation,and Considerate Service”,our business mainly focus on the distribution of electronic components. Line cards we deal with include Microchip,ALPS,ROHM,Xilinx,Pulse,ON,Everlight and Freescale. Main products comprise IC,Modules,Potentiometer,IC Socket,Relay,Connector.Our parts cover such applications as commercial,industrial, and automotives areas.

We are looking forward to setting up business relationship with you and hope to provide you with the best service and solution. Let us make a better world for our industry!



## Contact us

Tel: +86-755-8981 8866 Fax: +86-755-8427 6832

Email & Skype: info@chipsmall.com Web: www.chipsmall.com

Address: A1208, Overseas Decoration Building, #122 Zhenhua RD., Futian, Shenzhen, China





DIMENSIONS IN INCHES (MILLIMETERS)  
DO NOT SCALE DRAWING .....

Dwg. No.  
**CWR-220-XX-0000**

**NOTES:**

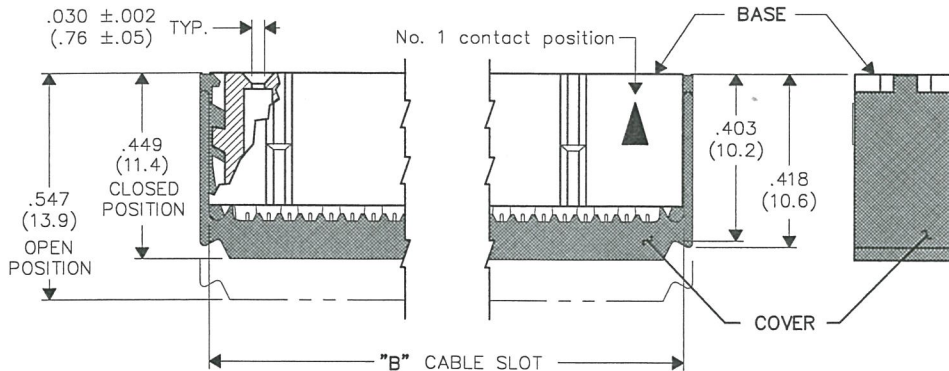
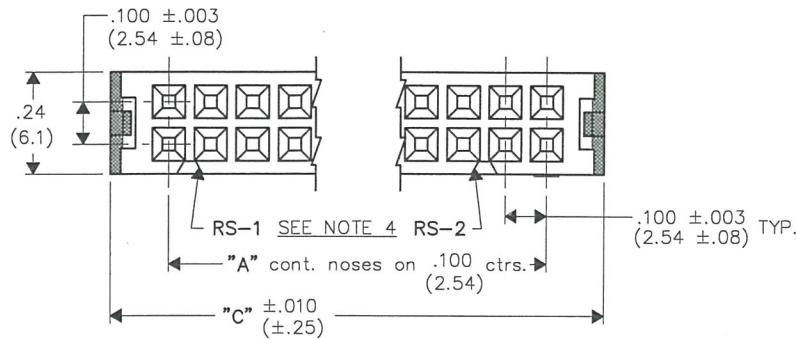
1. Dimensions are in inches; dimensions in ( ) are in millimeters.
2. Metric equivalents are given for general information only, and are based upon 1.00 inches equals (25.4) millimeters.
3. Unless otherwise specified, tolerance are  $\pm 0.005$  ( $\pm 0.13$ ) for three place decimals, and  $\pm 0.01$  ( $\pm 0.3$ ) for two place decimals.
4. Polarization rib slot (RS-2) omitted in size 10 and 14 connectors.

**MATERIALS:**

PLASTIC PARTS - UL94V-0 flame retardant thermoplastic.  
COLOR - Blue.  
CONTACTS - Phosphor bronze alloy.  
CONTACT PLATING - Selective Gold Plating .000010(min.) Gold over .000050 Nickel in Mating area and Gold Flash over .000050 Nickel in remaining area.

**OPERATING STANDARDS:**

TEMPERATURE RATING - 125°C.  
CONTACT RATING - 1 ampere.  
DIELECTRIC STRENGTH - Over 500 v.d.c. at sea level.  
CONDUCTORS ACCEPTED - 28-30 AWG solid or stranded.



| CONNECTOR DIMENSIONS |                  |                  |                  |
|----------------------|------------------|------------------|------------------|
| XX CONTS.            | A                | B                | C                |
| 10                   | .400<br>(10.16)  | .515<br>(13.08)  | .677<br>(17.20)  |
| 14                   | .600<br>(15.24)  | .715<br>(18.16)  | .877<br>(22.28)  |
| 16                   | .700<br>(17.78)  | .815<br>(20.70)  | .977<br>(24.82)  |
| 20                   | .900<br>(22.86)  | 1.015<br>(25.78) | 1.177<br>(29.90) |
| 26                   | 1.200<br>(30.48) | 1.315<br>(33.40) | 1.477<br>(37.52) |
| 34                   | 1.600<br>(40.64) | 1.715<br>(43.56) | 1.877<br>(47.68) |
| 40                   | 1.900<br>(48.26) | 2.015<br>(51.18) | 2.177<br>(55.30) |
| 50                   | 2.400<br>(60.96) | 2.515<br>(63.88) | 2.677<br>(68.00) |
| 60                   | 2.900<br>(73.66) | 3.015<br>(76.58) | 3.177<br>(80.70) |

CUSTOMER DWG.

FORM-B2  
REVISIONS  
0  
RELEASED  
DCW 4-19-96  
APR 29 1996

**ATTENTION**  
THIS DRAWING AND ITS ATTACHMENTS, IF ANY, ARE PROPRIETARY TO CW INDUSTRIES AND DESCRIBE DESIGNS THAT ARE CONFIDENTIAL AND MUST NOT BE DISCLOSED UNLESS AUTHORIZED, IN WRITING, BY AN OFFICER OF CW INDUSTRIES.....

**CW INDUSTRIES**  
Southampton, Pa. 18966

TOLERANCES UNLESS OTHERWISE SPECIFIED:  
2 Place Decimal  $\pm 0.010$  METRIC  
3 Place Decimal  $\pm 0.005$  1 Place Dec.  $\pm 0.25$ mm  
Angles .....  $\pm 1^\circ$  2 Place Dec.  $\pm 0.13$ mm  
Made for: CW IND.  
Drawn by: DGW 4-19-96  
Checked by: G. GULD 4-29-96  
Approval: D. Flanagan 4-29-96

Title: **SOCKET CONNECTOR**  
.100 x .100 CENTERS  
(.050 CENTER FLAT CABLE)  
PLAIN COVER, NO KEYING  
Division: **CONNECTOR**  
Dwg. No. **CWR-220-XX-0000**

**MASTER**