



Chipsmall Limited consists of a professional team with an average of over 10 year of expertise in the distribution of electronic components. Based in Hongkong, we have already established firm and mutual-benefit business relationships with customers from,Europe,America and south Asia,supplying obsolete and hard-to-find components to meet their specific needs.

With the principle of "Quality Parts,Customers Priority,Honest Operation,and Considerate Service",our business mainly focus on the distribution of electronic components. Line cards we deal with include Microchip,ALPS,ROHM,Xilinx,Pulse,ON,Everlight and Freescale. Main products comprise IC,Modules,Potentiometer,IC Socket,Relay,Connector.Our parts cover such applications as commercial,industrial, and automotives areas.

We are looking forward to setting up business relationship with you and hope to provide you with the best service and solution. Let us make a better world for our industry!



Contact us

Tel: +86-755-8981 8866 Fax: +86-755-8427 6832

Email & Skype: info@chipsmall.com Web: www.chipsmall.com

Address: A1208, Overseas Decoration Building, #122 Zhenhua RD., Futian, Shenzhen, China

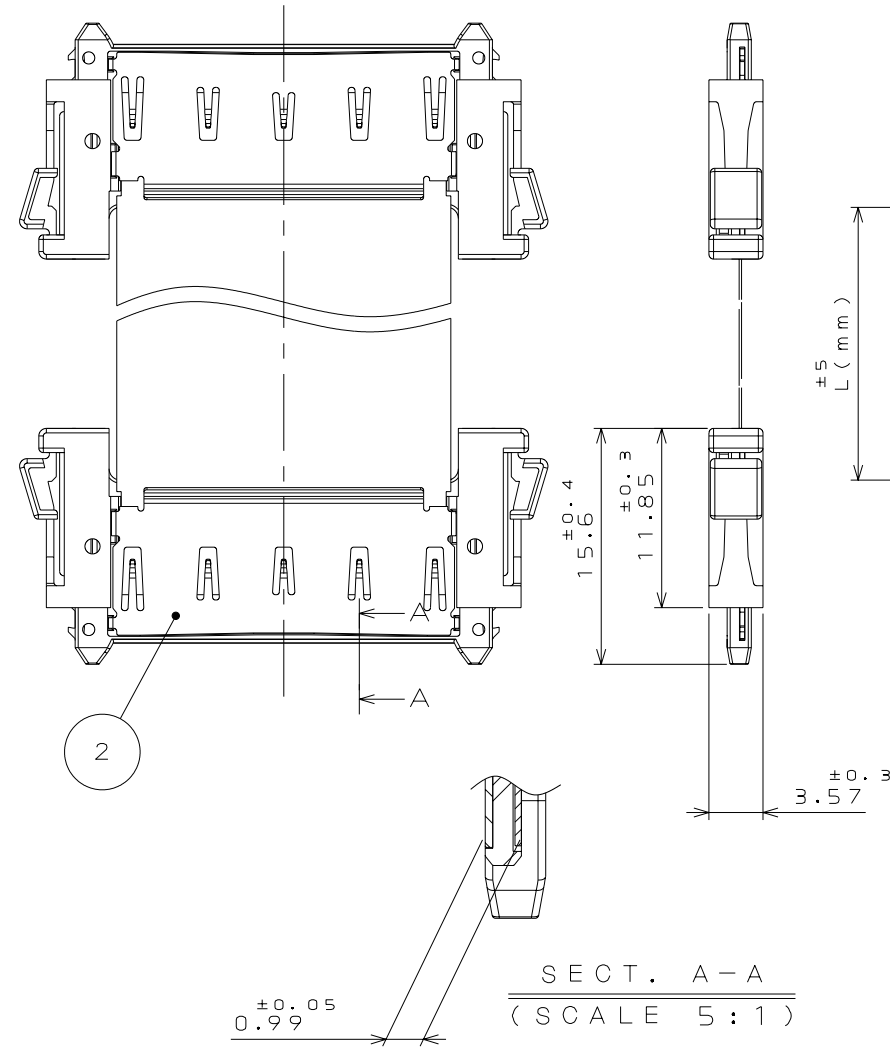


866Z01RS

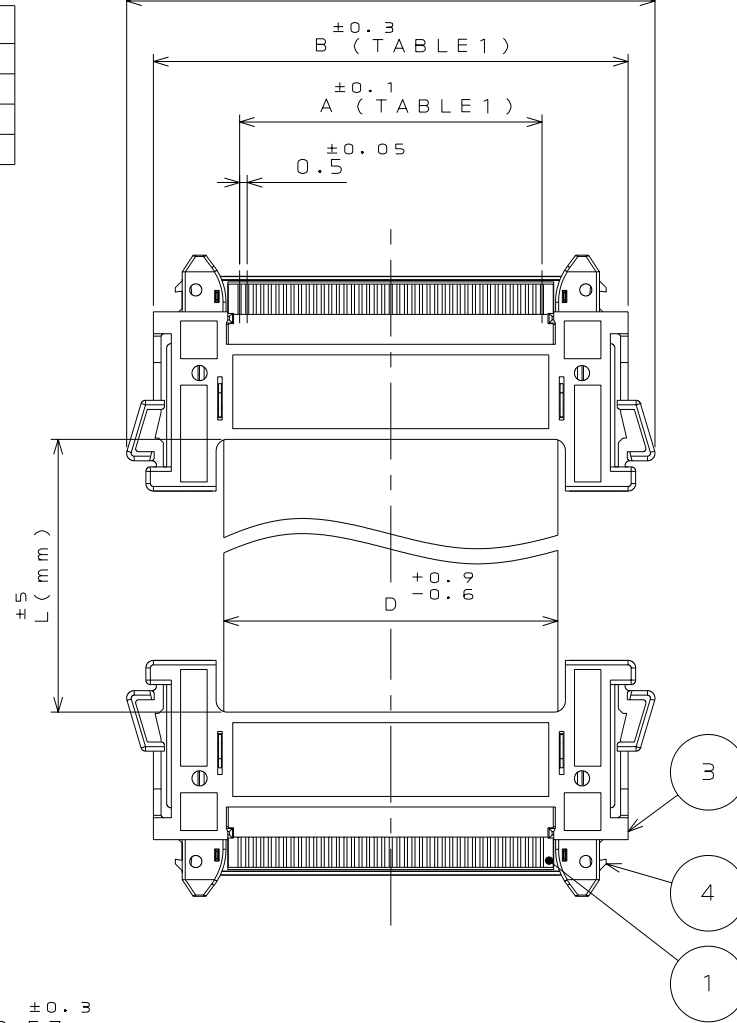
(ON ENIMVHD) 台機理図

TABLE 1

NO. OF CONTACT	A	B	C	D
21	10	21.4	24.95	12.1
31	15	26.4	29.95	17.1
41	20	31.4	34.95	22.1
51	25	36.4	39.95	27.1



(C) (TABLE 1)



版数 REV.	年月日 DATE	DCN NO.	変更内容 DESCRIPTION	製図 DR.	担当 CHK.	査閲 APPD.	承認 APPD.
2	17.Jan.2008	064013	ADDED ITEM	H.TSURUOKA	M.TAKAKU	—	Y.TATEBE
3	28.Aug.2008	066475	ADDED ITEM	H.TSURUOKA	M.TAKAKU	—	Y.KUBOTA

REFERENCE ONLY
JAE

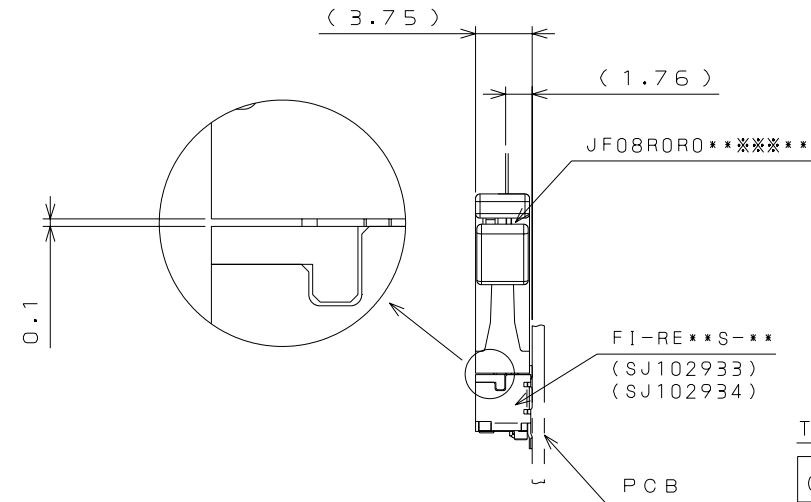


TABLE 2

CABLE LENGTH CODE	L ± 5 [mm]
010	97
015	147
020	197
025	247
030	297
△ 035	347
△ 040	397
△ 045	447
050	497
△ 055	547
060	597
080	797
100	997

JF08R0R0***
 SERIES | MODIFICATION CODE | CABLE LENGTH CODE (TABLE 2) | No. OF CONTACT (TABLE 1) | CONNECTOR TYPE MODIFICATION CODE | CONNECTOR TYPE R:FI-R | CONNECTOR TYPE MODIFICATION CODE | CONNECTOR TYPE R:FI-R

4	LOCK	4	STAINLESS STEEL		
3	INSULATOR	2	HEAT RESISTING PLASTIC		UL94V-0
2	SHELL	2	COPPER ALLOY	TIN PLATING	
1	FFC	1	CONDUCTOR: COPPER ALLOY INSULATION TAPE: PET/ADHESIVES	CONTACT AREA: GOLD OVER NICKEL	
符号 NO.	名称 DESCRIPTION	個数 QTY.	材料 MATERIAL	仕上 FINISH	備考 REMARKS
仕様書 (SPECIFICATION) JACS-10487-*		第1版 (ORIGINAL DATE) 16.Nov.2007		尺度 (SCALE) 2:1	シリーズ (SERIES) JF08
一般公差 (GENERAL TOLERANCE)		製図 DR.		名称 (TITLE) JF08R0R0***AA	
寸法 (DIMENSION)		担当 CHK. K.NAKAMURA		日本航空電子工業株式会社 JAPAN AVIATION ELECTRONICS INDUSTRY, LTD. 図面番号 (DRAWING NO.) SJ107998	
角度 (ANGLES)		査閲 APPD.			
. ± 0.8		承認 APPD. K.NAKAMURA			
.X ± 0.4		質量 (MASS)			
.XX ± 0.1				版数 (REV.) 3	
.XXX ±					

NOTE 1. WHEN UL STYLE NO. IS DISPLAYED IN FFC, EITHER OF FOLLOWING ① OR ② OR ③ IS PRINTED.
 注1. UL STYLE No.を表示する場合、下記 ① ② ③ のいずれかが印刷されます。
 ① AWM 2896 80C VW-1 JAE -F-
 ② AWM 2896 80C VW-1 JAE-WX -F-
 ③ AWM 2896 80C VW-1 JAE-PH -F-

